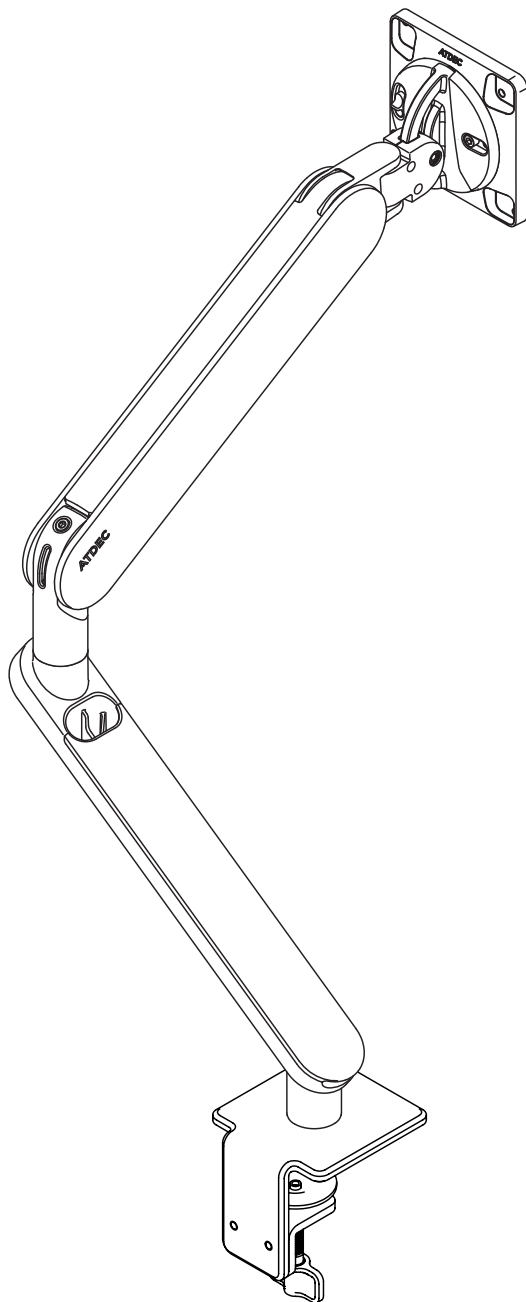
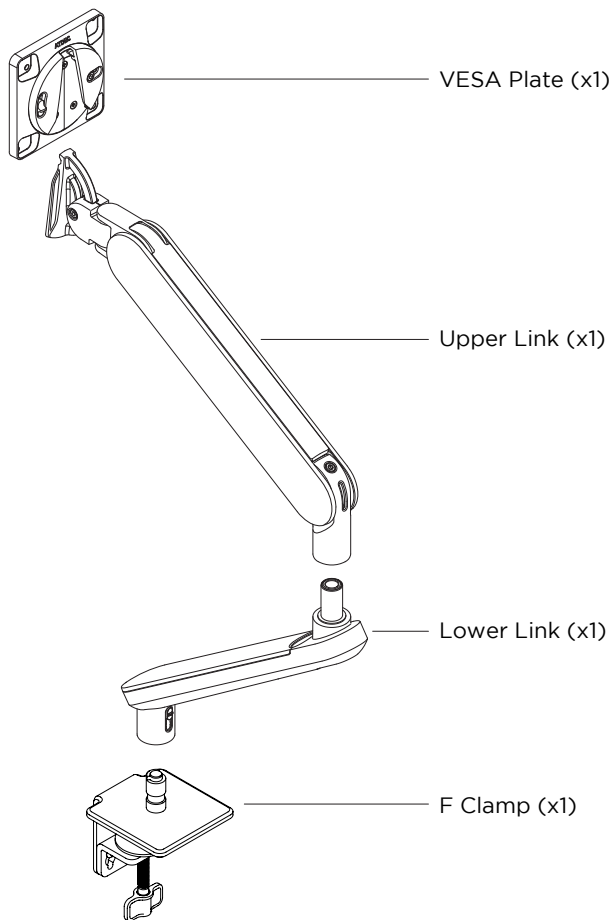


Ora Monitor Arm F-clamp

Installation Guide



COMPONENT CHECKLIST



Hardware & Tools



M4x10
Screw
(x4)



Security
Screw
(x1)



4mm
Hex Key
(x1)

CAPACITY

Weight: 2 - 8kg (4.4 - 17.6lb)
Display Size: Up to 35" (curved or flat)
(Larger monitors within the weight capacity may be compatible, please contact Atdec for advice).

WARRANTY

10 Years Limited

TOOLS REQUIRED

Phillips head screwdriver

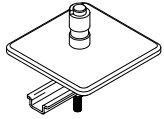
IMPORTANT INFORMATION

- Install Ora Monitor Arm as per these installation instructions.
- The manufacturer accepts no responsibility for incorrect installation.
- Do not over-tighten screws and adjustment points on product.
- This product is not suitable for outdoor use.
- Do not use this product for mobile applications.
- Please ensure desk structure and mounting surface are of sufficient strength to support this product and mounted equipment.
- Deep devices (such as all-in-one PCs), VESA mounted accessories (such as mini PC brackets and mounts), and offset VESA locations exert additional leverage that can exceed the capacity of the mount even though the monitor weight may be within the stated range. Please contact Atdec if you would like further information.
- Suits displays with VESA mounting hole patterns 75x75 and 100x100. Spacer kit (sold separately) may be required for recessed 75x75 hole patterns.
- For edge clamp installations, ensure the monitor is always positioned over the work surface. Do not position the monitor beyond the rear edge of the work surface.
- Periodic adjustment to counterbalance and tilt tension may be required.

ATDEC

No portion of this document or any artwork contained herein should be reproduced in any way without the express written consent of Atdec Pty Ltd. Due to continuing product development, the manufacturer reserves the right to alter specifications without notice. ©20230210

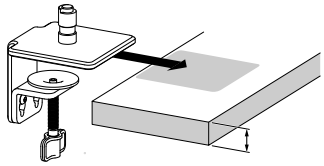
Alternative Fixing Options



Ora Bolt Through Fixing AW-FB
(sold separately)

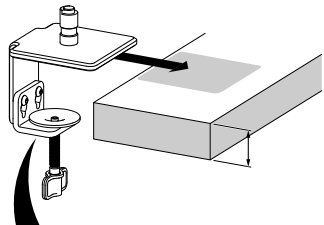
1 Attach F-clamp to Desk

— 1.1 —
Configure F Clamp for desk thickness

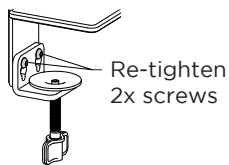
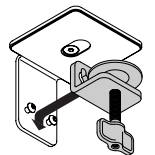
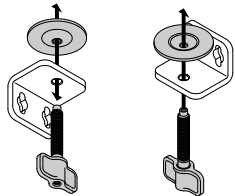
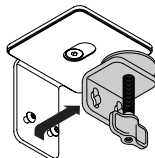


Standard Desks
0 - 35mm
(0 - 1 3/8")

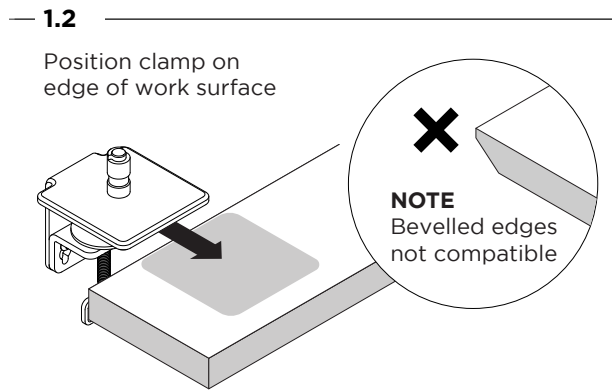
OR



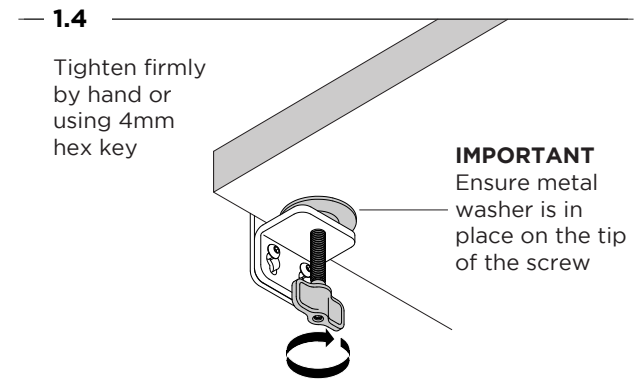
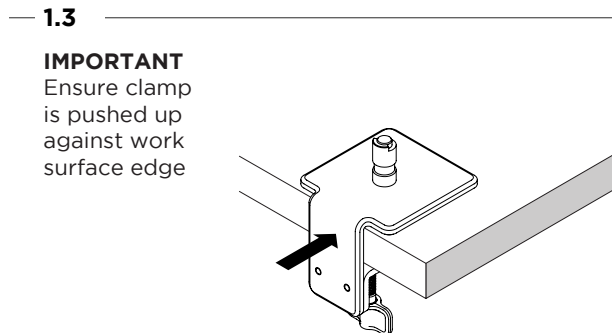
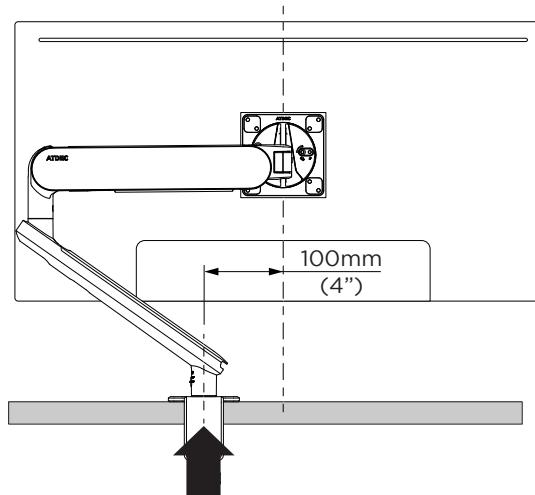
Thicker Desks
35 - 70mm
(1 3/8 - 2 3/4")



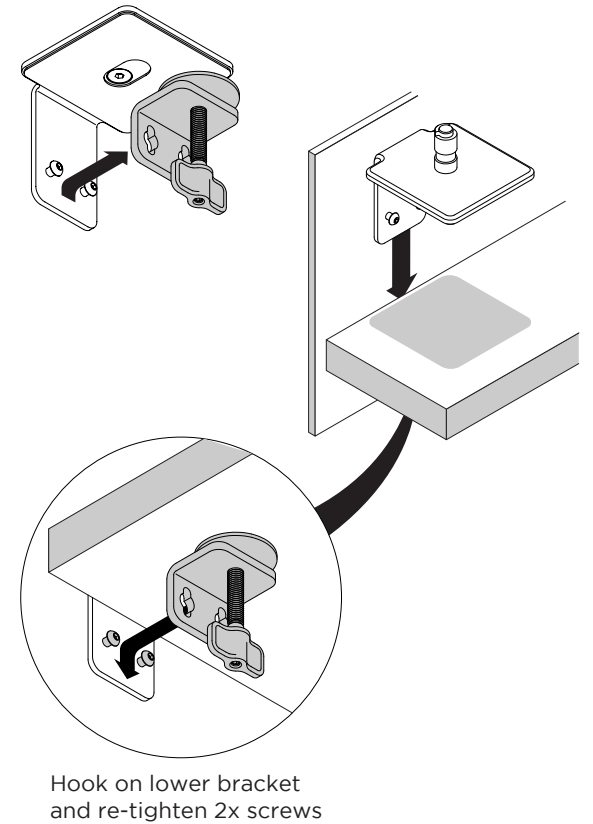
Re-tighten
2x screws



TIP
When positioning the desk clamp, offset the clamp to the left or right of the seating position. The monitor will then be centred for the user.

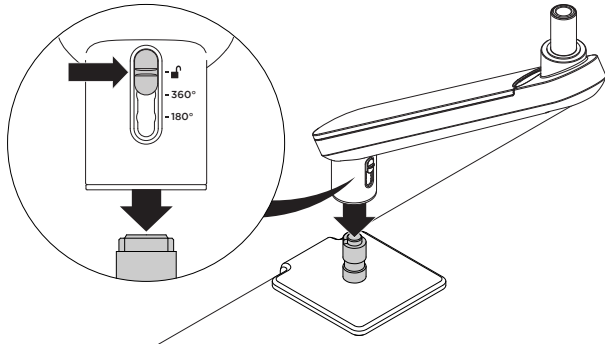


— **HINT!** —
If the gap behind the work surface is less than 70mm (2 3/4"), unhook the lower bracket and reattach it from under the desk.

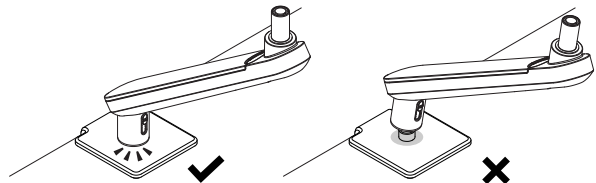


2 Attach Lower Link to Clamp

2.1

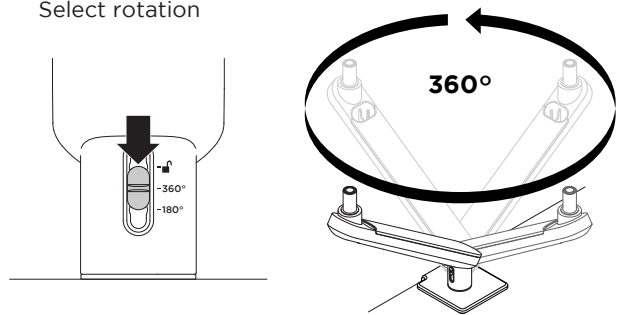


2.2

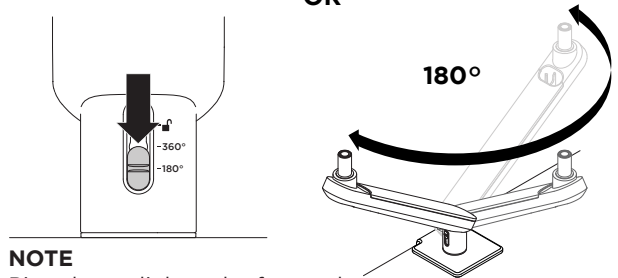


2.3

Select rotation



OR



NOTE

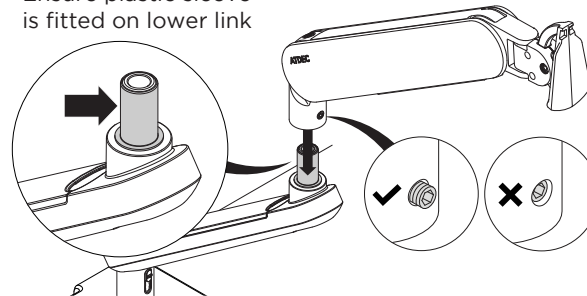
Pivot lower link to the forward position shown in **Step 2.2** before selecting 180° rotation.

3 Attach Upper Link

3.1

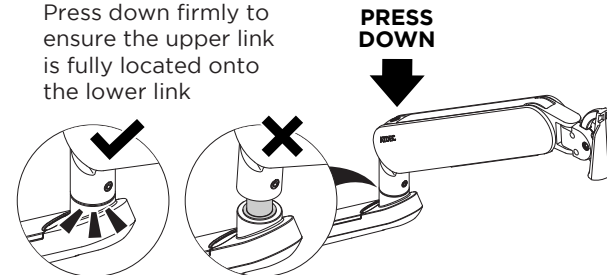
IMPORTANT

Ensure plastic sleeve is fitted on lower link



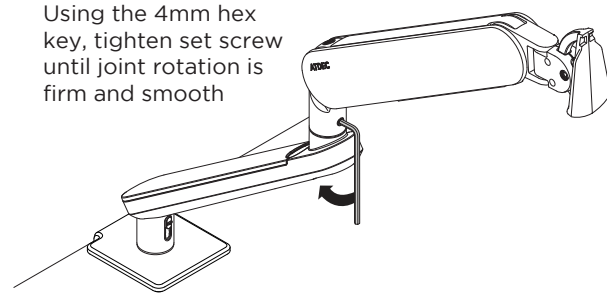
3.2

Press down firmly to ensure the upper link is fully located onto the lower link



3.3

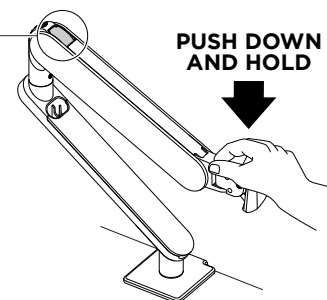
Using the 4mm hex key, tighten set screw until joint rotation is firm and smooth



3.4

CAUTION! Check Cover Strip

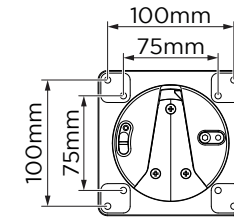
To inspect cover strip, fully lower the upper link. If damaged or missing, stop installation and contact Atdec for assistance.



4 Mount Monitor

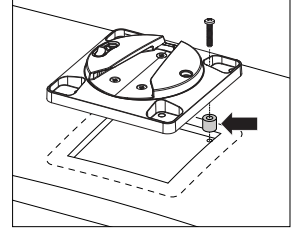
4.1

Check VESA mounting compatibility of monitor



NOTE

Recessed 75x75mm VESA interfaces will require a spacer kit (sold separately)

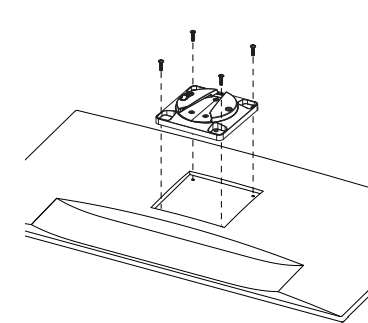


NOTE

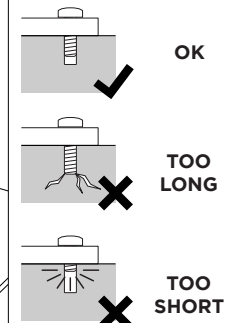
For other sizes, use suitable adaptor plate (sold separately).

4.2

Attach VESA Plate using supplied M4x10 screws.

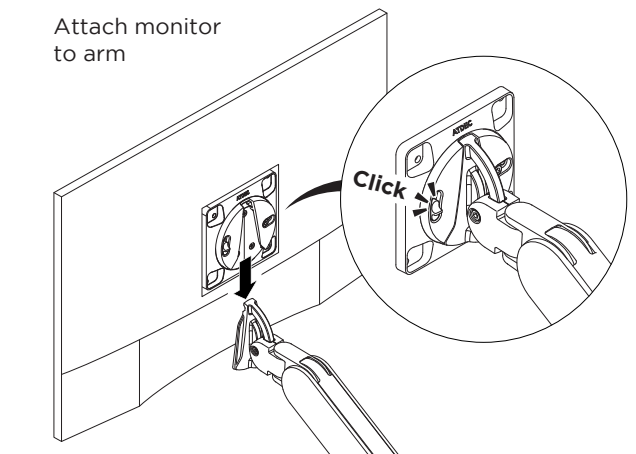


Ensure screw length suits the monitor



4.3

Attach monitor to arm



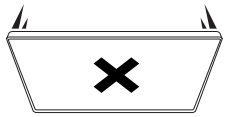
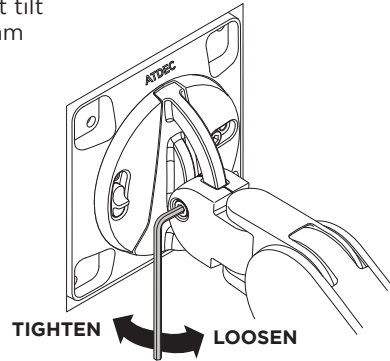
5 Adjustments

5.1 Tilt Tension

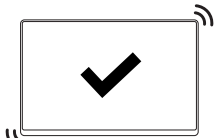
If required, adjust tilt tension using 4mm hex key. (do not over-tighten)

NOTE

Support the screen while adjusting



DROOPS FORWARD



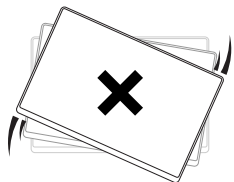
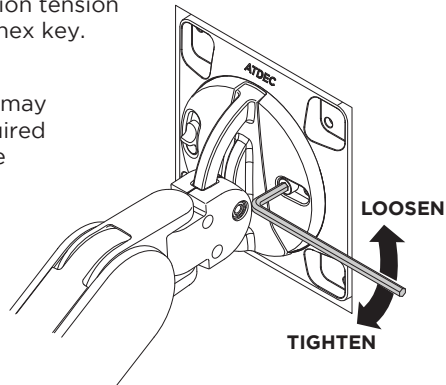
HOLDS POSITION

5.2 Monitor Rotation Tension (optional)

Adjust rotation tension using 4mm hex key.

NOTE

Adjustment may only be required for ultrawide monitors



DRIFTS



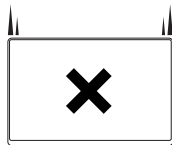
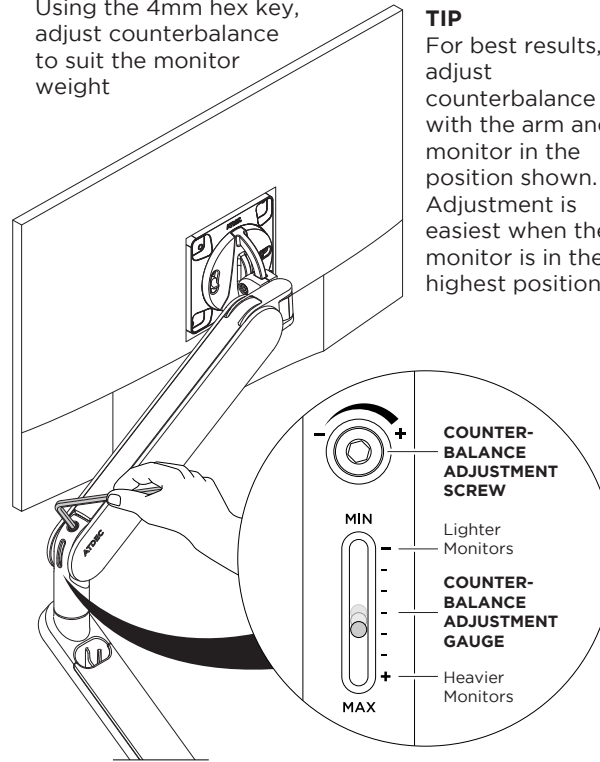
HOLDS POSITION

5.3 Counterbalance Adjustment

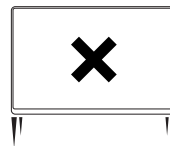
Using the 4mm hex key, adjust counterbalance to suit the monitor weight

TIP

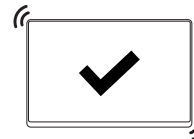
For best results, adjust counterbalance with the arm and monitor in the position shown. Adjustment is easiest when the monitor is in the highest position.



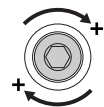
DROOPS



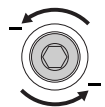
BOUNCES UP



HOLDS POSITION



Increase tension



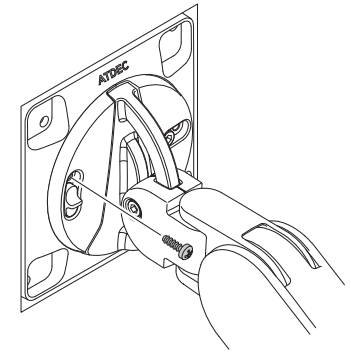
Reduce tension

TIP

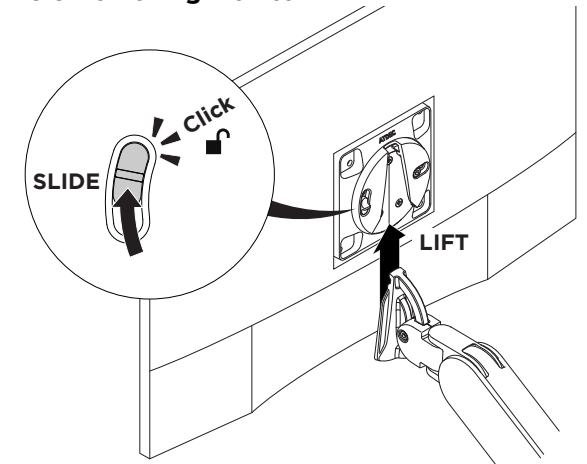
When installing multiple arms with the same monitor, use the setting on the counterbalance adjustment gauge to quickly 'pre-set' other arms (fine-tuning may be required after pre-setting).

5.4 Security Screw (optional)

If desired, once monitor is attached to the arm, install the security screw. This disables the release switch, preventing theft.

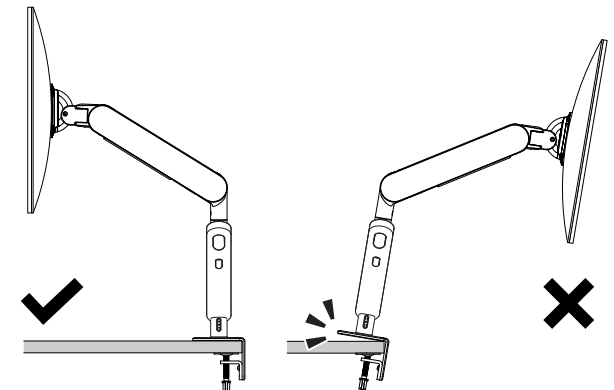


5.5 Removing Monitor



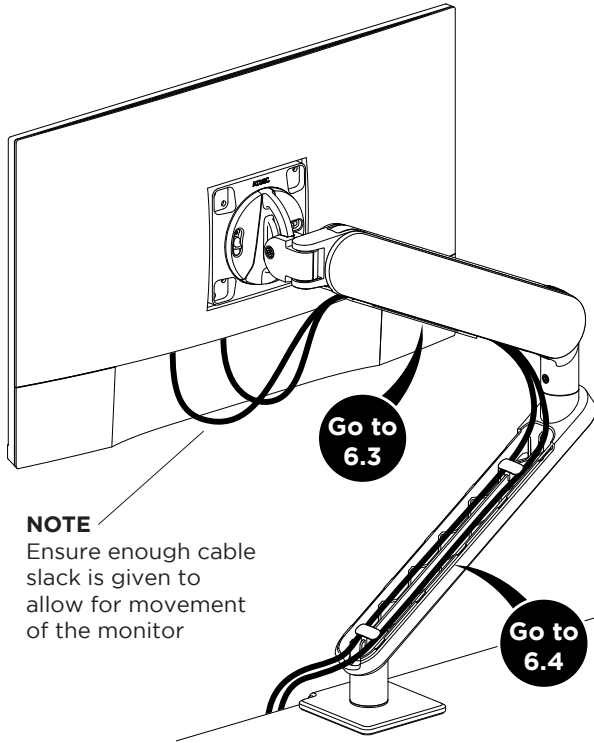
5.6 Positioning

Do not position monitor beyond the rear edge of the desk.



6 Cable Management

6.1 Overview

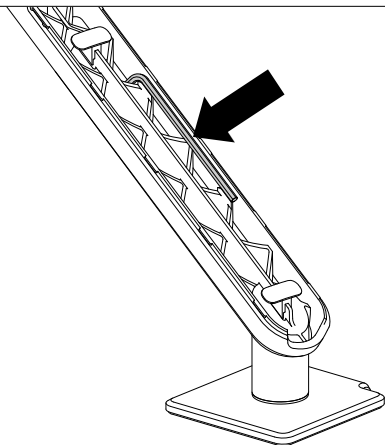


NOTE
Ensure enough cable slack is given to allow for movement of the monitor

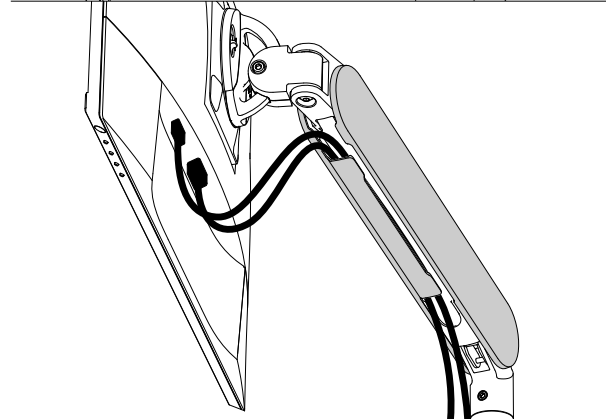
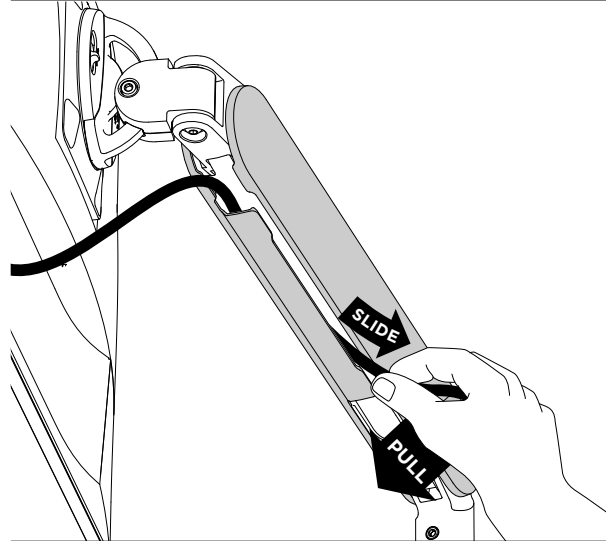
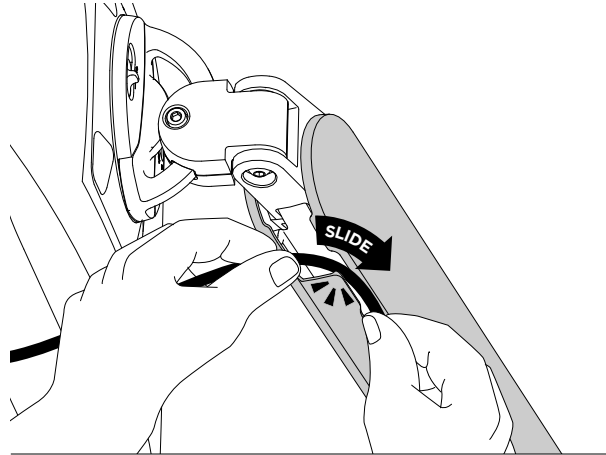
NOTE
Allow 1.2m of cable from the work surface to the monitor. Add additional cable length to route the cable from the work surface to the computer.

6.2

If desired, store hex key in lower link

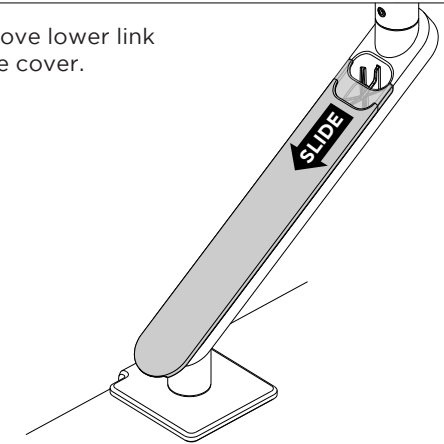


6.3 Route Cables Through Upper Link



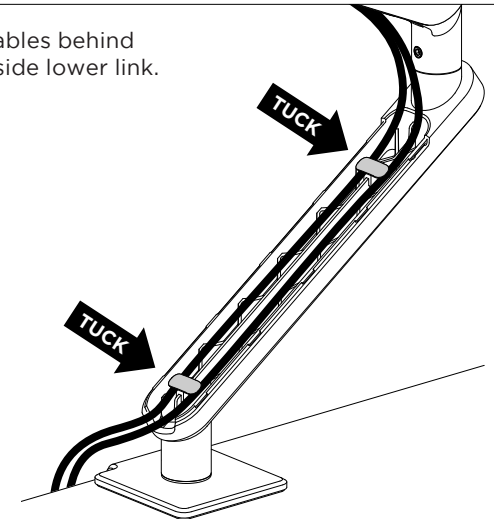
6.4

Remove lower link cable cover.



6.5

Tuck cables behind tabs inside lower link.



6.6

Re-attach lower link cable cover.

NOTE
Ensure cables do not interfere with sliding cover on.

