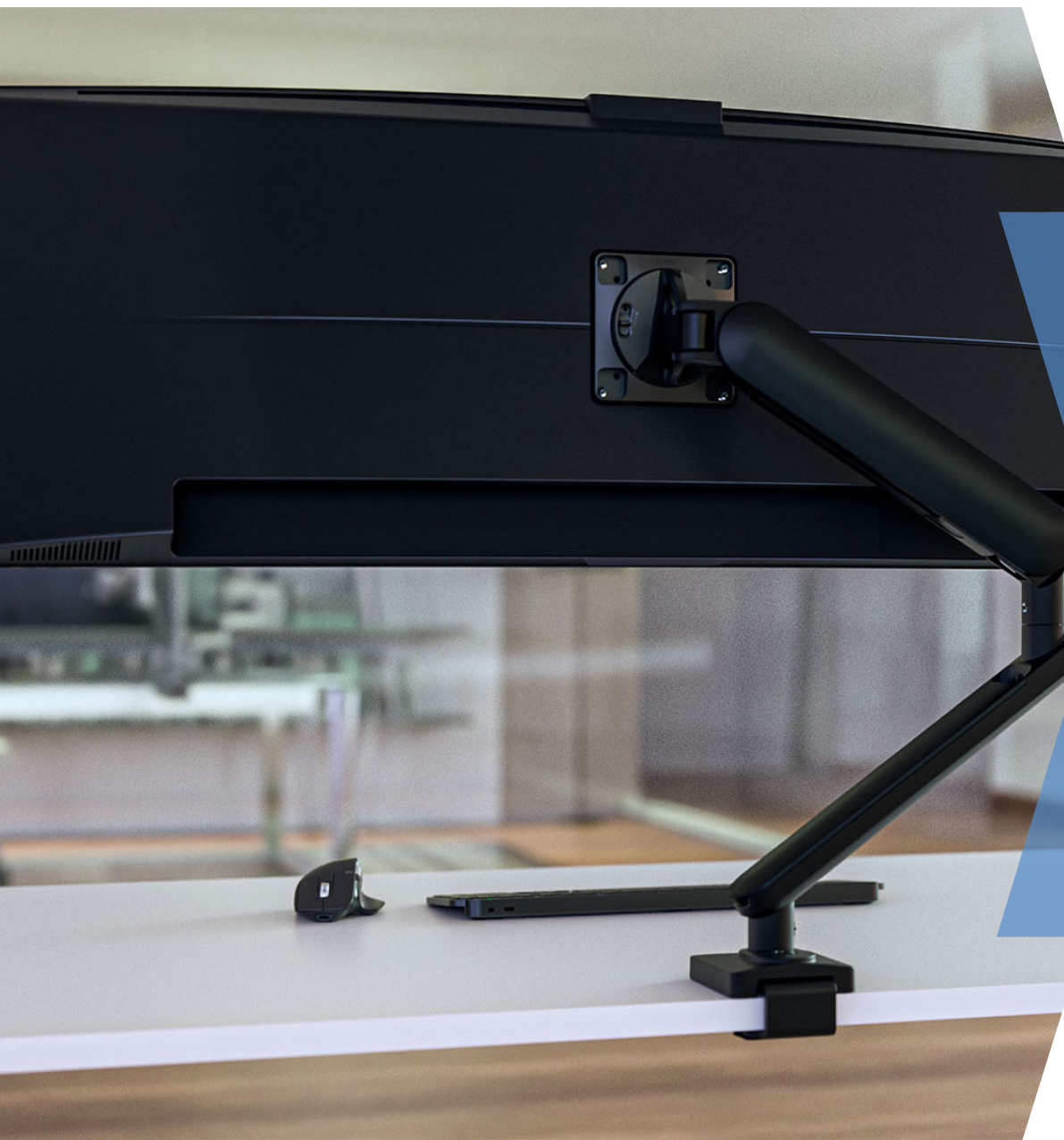


Ora 10

MONITORS TO
49"

High capacity universal monitor arm

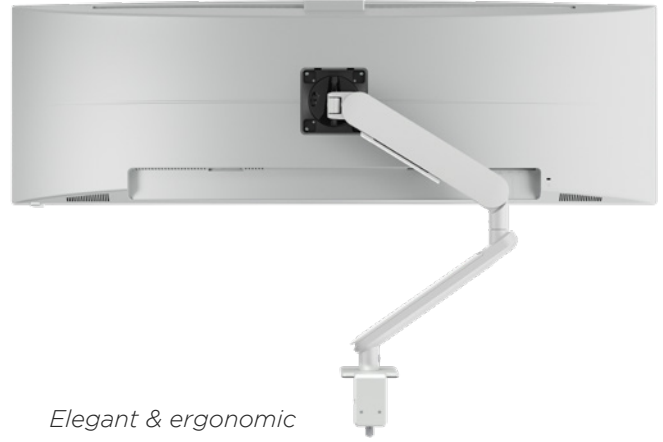


Ora 10

Mount & clamp for workspaces

Ora 10 incorporates the best of Ora design with innovative internal engineering changes to deliver extended monitor weight and size capacity.

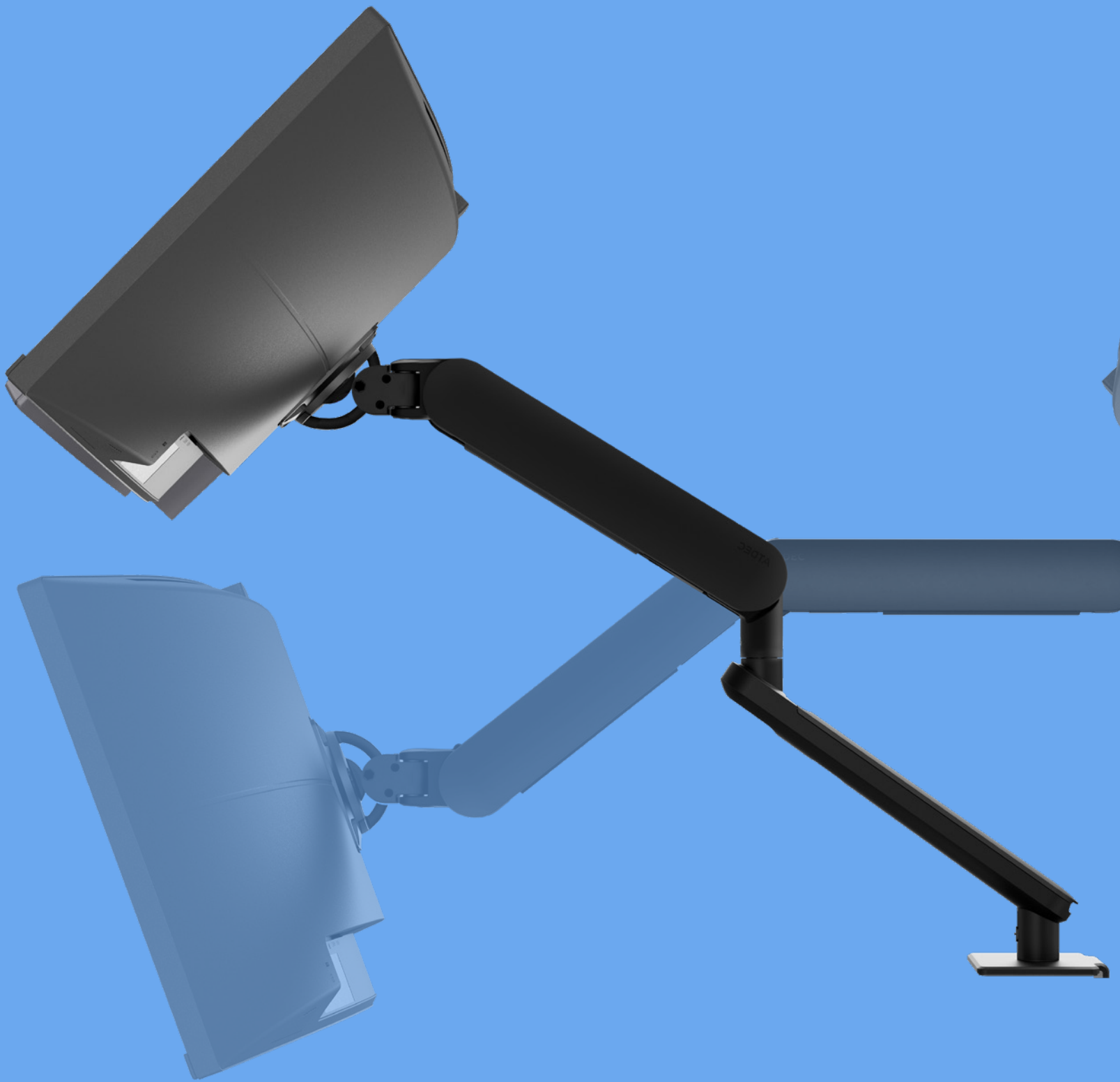
Ora 10 holds monitors to 10kg and 49", curved and flat, with a small footprint aesthetic body.



Elegant & ergonomic monitor mount complete with clamp in a single box for fast installation.







Display specs

6.6lb to 22lb (3kg to 10kg)
to 49" (curved or flat)
to 7.9" (200mm) depth

Head adjustments

Tilt -20° to $+45^{\circ}$
Pan 180°

Rotation limitation

180° or 360°

VESA

75x75 or 100x100

Finish options

Black, silver, white

Tools

Hex key included
Screwdriver required

Ora 10

High capacity

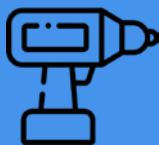
Extended performance and versatility to a new class of ultrawide curved monitors.

For monitors to 22lb.



MONITORS TO

49"



INSTALLER OPTIMIZED

Ora 10 design incorporates five elements that speed installation & setup, especially beneficial when deploying at scale. A professional installer was clocked at 1-minute install.



CONFIDENT PERFORMANCE

Extensively tested across hundreds of units & millions of cycles, Atdec confidently offers a 10 year warranty to reinforce our proven record of quality and performance.



SUSTAINABLE

Ora 10 is sustainable from manufacture to disposal. Following a long service life with monitor upgrades, Ora 10 breaks down to recyclable components to minimize environmental impact.

Installer optimized



Fast desk connect with single point thumb knob & slotted F-connection

One-point dynamic arm assembly

Tension balance may be adjusted without removing screens

Contemporary minimal aesthetic suitable for all office styles



Visual tension indicator for multiple setups & projects

Drop-on quick connect VESA head & hands-free click-release lock

Easy access & generous cable management

360° or 180° rotation limiter switch

Complete in one box for fast access & reduced wastage



Limiter switch

One-flip 360° or 180° lock

Activate the Ora 10 rotation limiter with this always-accessible switch. No disassembly or reconfiguration, no time wasted.



Furniture & IT install friendly

HIGH CAPACITY UNIVERSAL MONITOR ARM

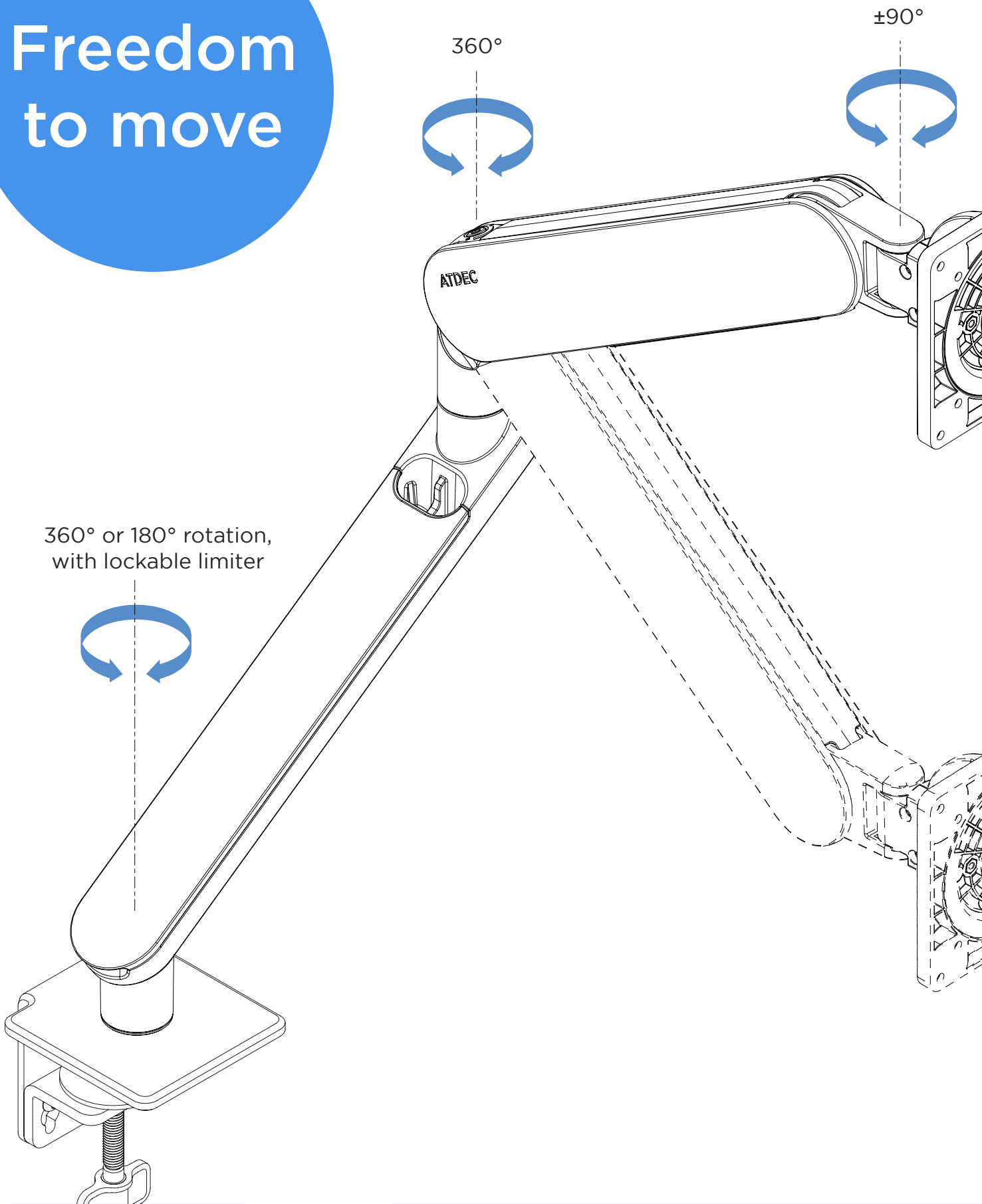
Slotted connection

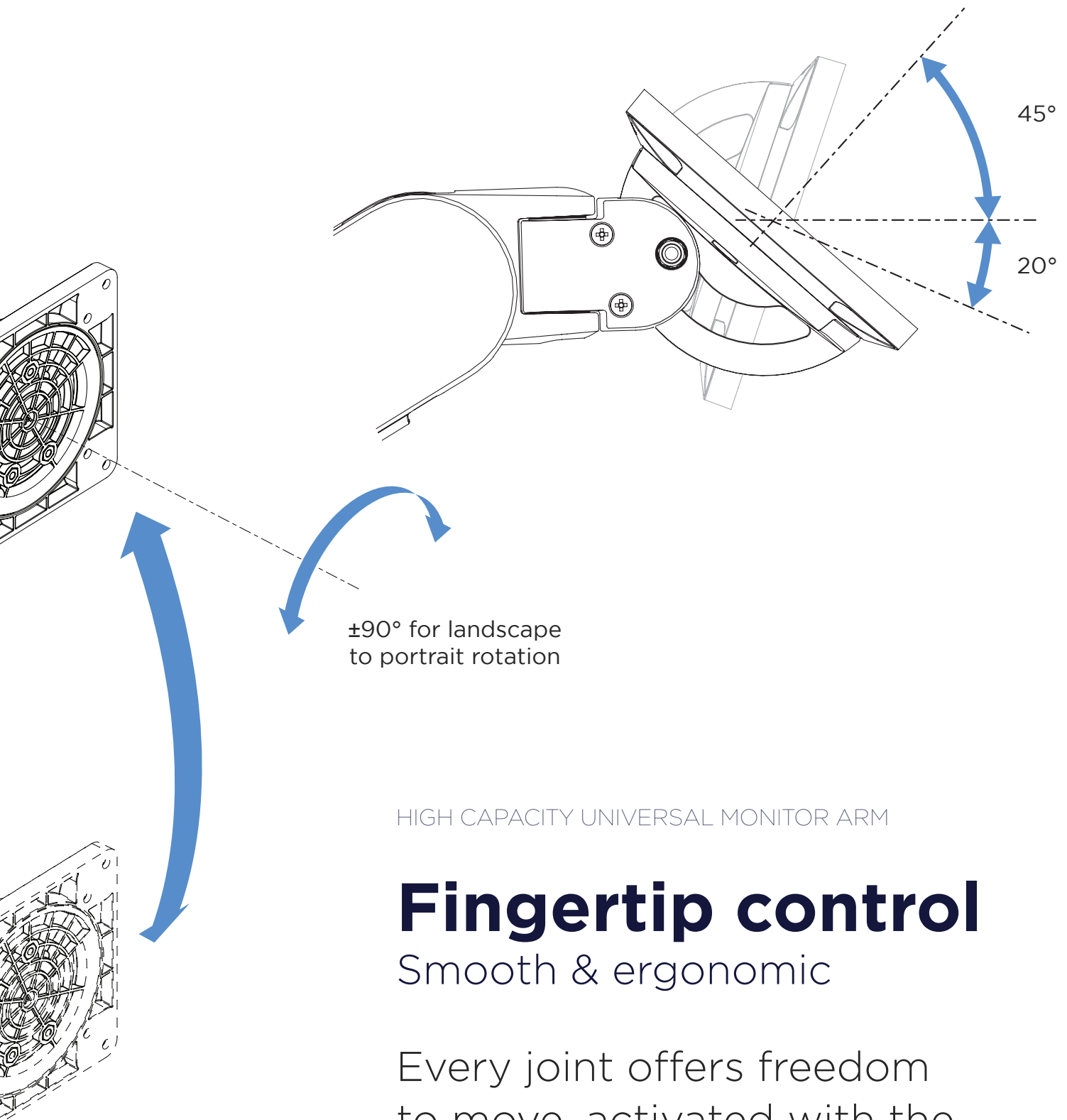
Save time under the desk

Pre-assemble the most time consuming part of clamp installation to save time & hassle. Particularly beneficial for tight desk setups.



Freedom to move





HIGH CAPACITY UNIVERSAL MONITOR ARM

Fingertip control

Smooth & ergonomic

Every joint offers freedom to move, activated with the touch of a finger. Ora 10 comes standard with a rotation limiter and lock.



Ora 10 offers even greater cable management space, ensuring cables are almost entirely concealed. The upper link features a spacious internal cable bay, while the lower link includes a larger, easily accessible cable berth, which also stores the provided hex key.



Hidden cables





ATDEC



Ora 10 monitor arm is perfect for single or dual-monitor desks, supporting larger productivity displays. Its robust build and flexibility enhance workspace ergonomics, making it ideal for current setups or futureproofing for upgrades.



Australia

+61 2 8729 5000
support@atdec.com
www.atdec.com.au

North America

888 303 4252
usasales@atdec.com
www.atdec.com

Europe

+44 3330 117725
sales@atdec.co.uk
www.atdec.co.uk

New Zealand

0800 887 298
nz@atdec.com
www.atdec.co.nz