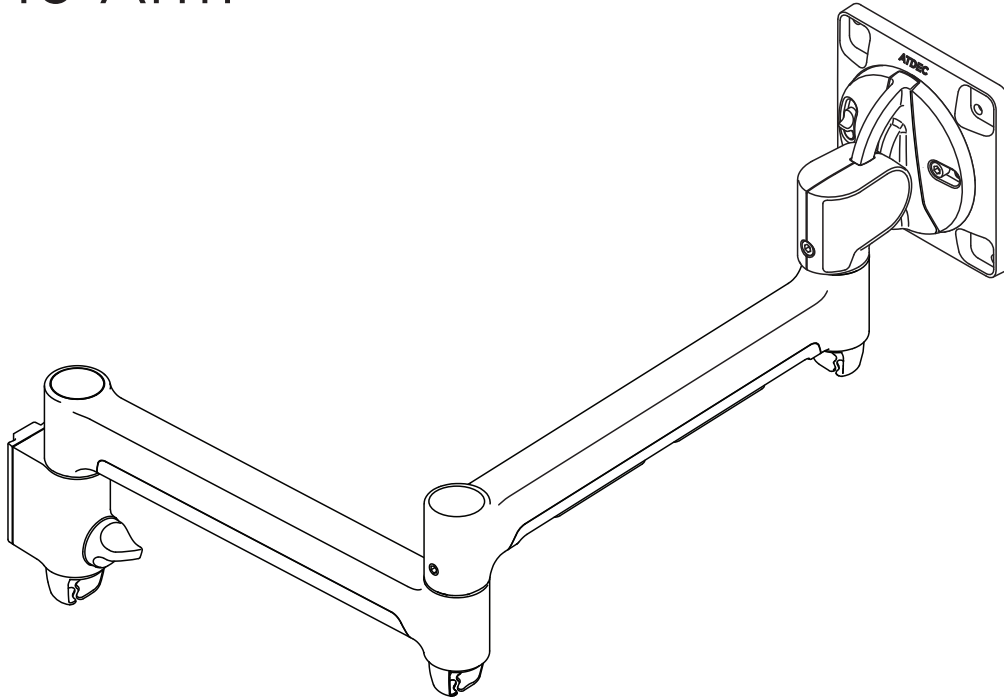
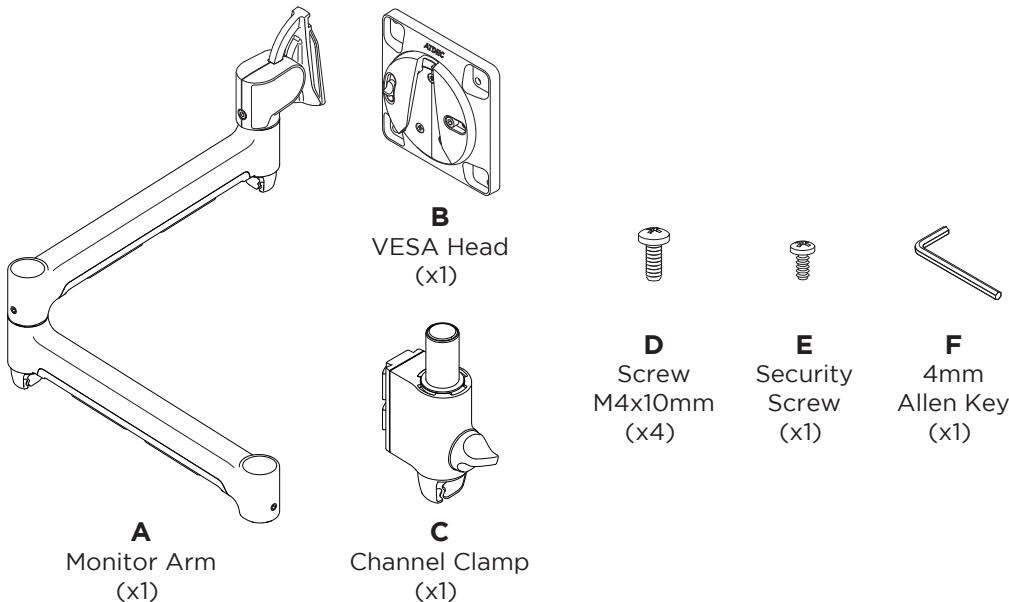


AWM 710 Arm



COMPONENT CHECKLIST



Desk 

REQUIRED TOOLS

- Phillips Head Screwdriver

WEIGHT RANGE

Flat Monitor

0 - 9kg
(0 - 20lb)

Curved Monitor

0 - 9kg
(0 - 20lb)

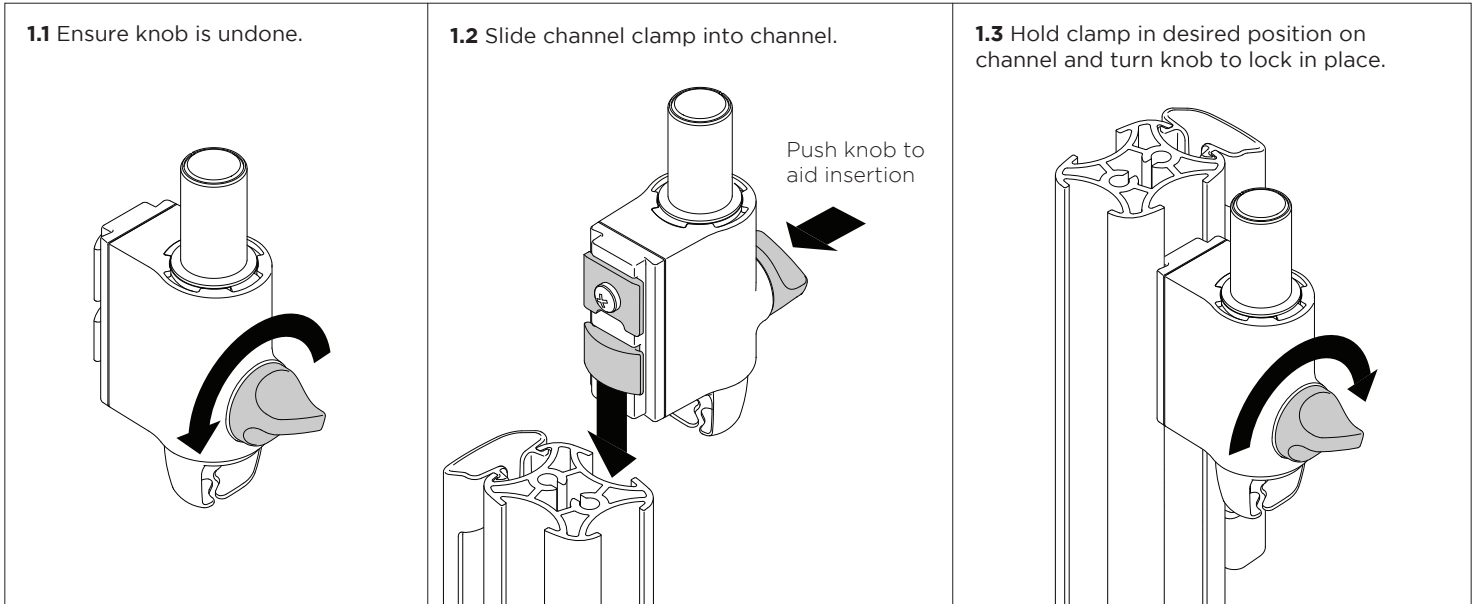
Curved monitors with an overall depth up to 140mm (5.5").

Monitor weight should be within the weight range of all modular elements that make up the complete monitor mounting solution.

IMPORTANT INFORMATION

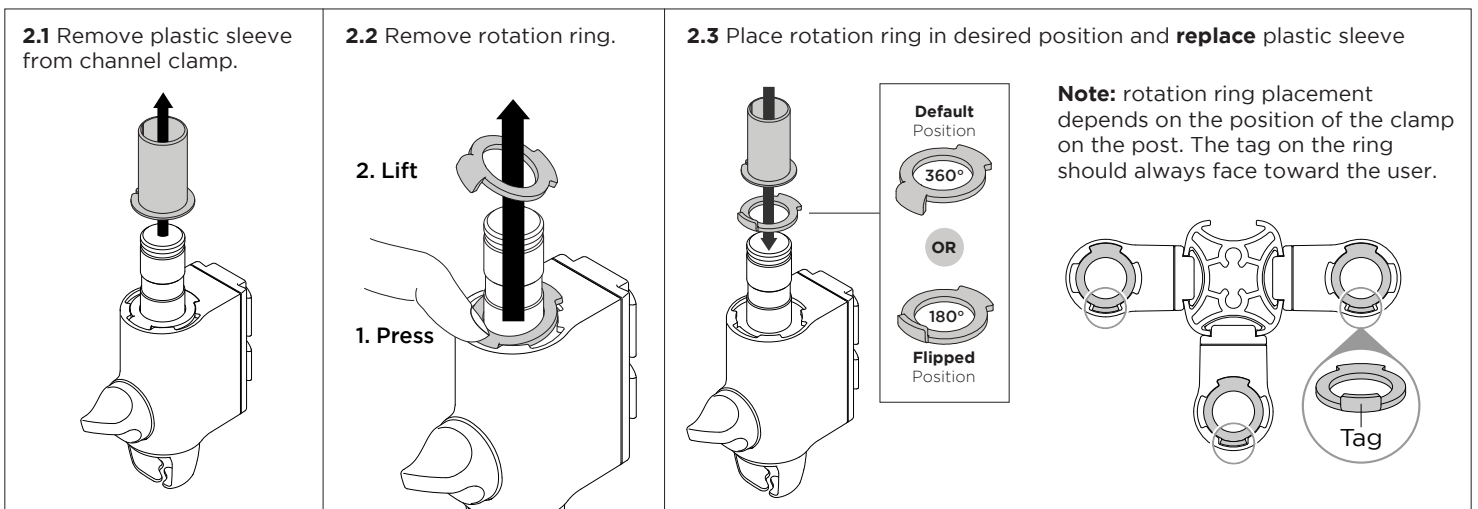
- ! Please ensure this product is installed as per these installation instructions.
- ! Do not remove or throw away the plastic sleeve on the channel clamp.
- ! The manufacturer accepts no responsibility for incorrect installation.
- ! This product is compatible with Atdec AWM Series Posts and Wall Channels
- ! This product is not suitable for outdoor use or mobile applications
- ! Do not over-tighten screws and adjustment points on product.
- ! VESA mounted accessories (such as mini PC brackets and mounts), and offset VESA locations, and unevenly weighted monitors (relative to the center of the VESA mounting interface) exert additional leverage that can exceed the capacity of the mount even though the monitor weight may be within the stated range. Please contact Atdec if you would like further information.

1. Fix channel clamp to post or wall channel

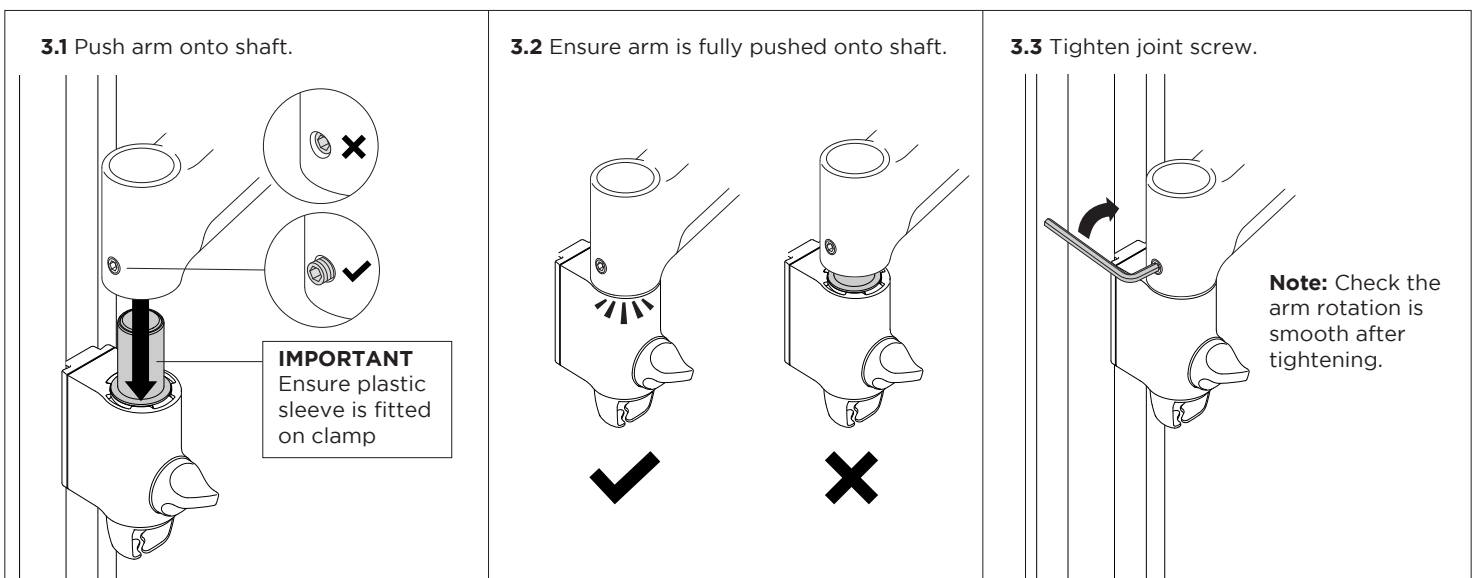


2. OPTIONAL Set arm rotation to 180°

Note rotation is set to 360° by default.



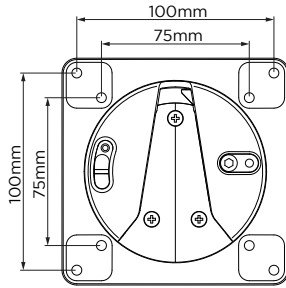
3. Fit arm onto channel clamp



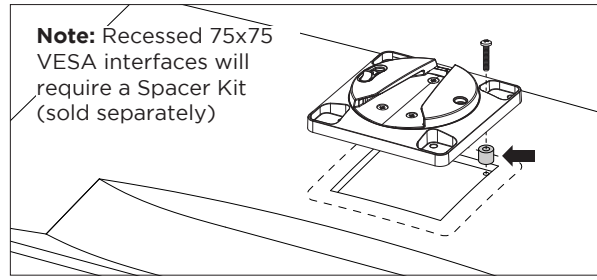
4. Attach VESA head to monitor

4.1 Check VESA mounting compatibility of monitor

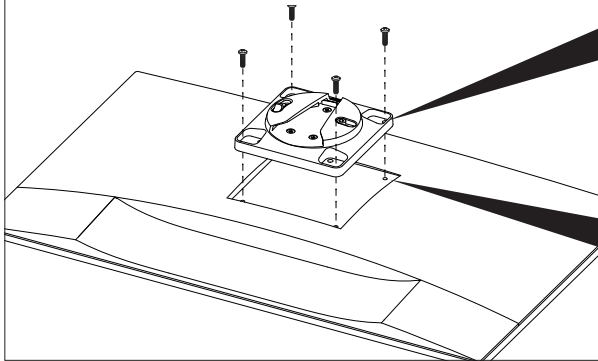
Note: For other sizes, use a suitable adaptor plate (sold separately).



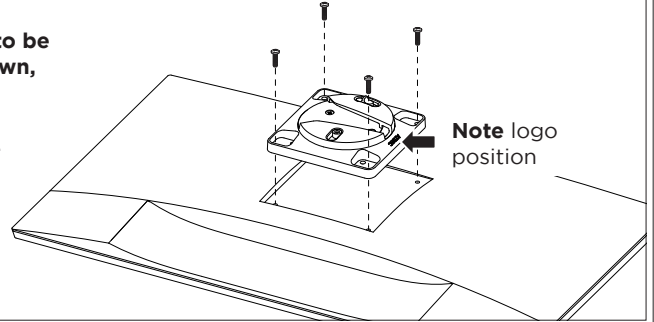
Note: Recessed 75x75 VESA interfaces will require a Spacer Kit (sold separately)



4.2 Attach VESA head onto monitor with provided screws. (Alternatively, use fasteners specified by the monitor manufacturer)

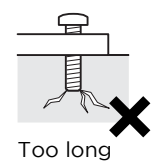
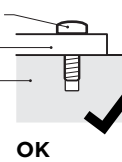


TIP
To allow monitor to be rotated upside down, mount VESA head in the alternate orientation shown.



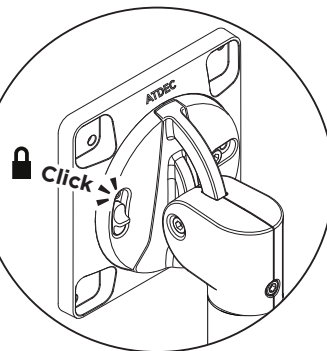
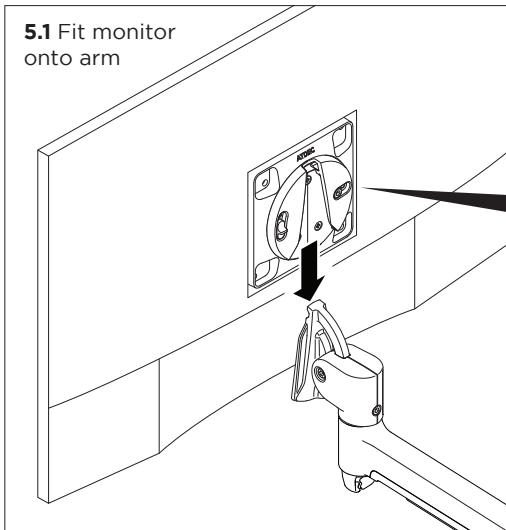
Note: Ensure screw length suits the monitor VESA mounting holes.

VESA Screw
VESA Plate
Monitor



5. Attach monitor to arm

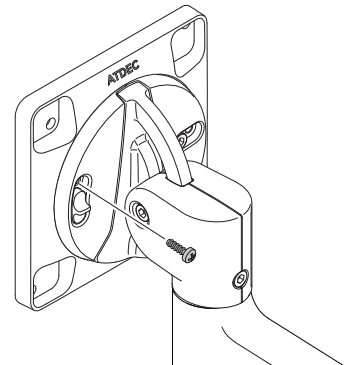
5.1 Fit monitor onto arm



Note: VESA Head will automatically latch onto the tilt head.

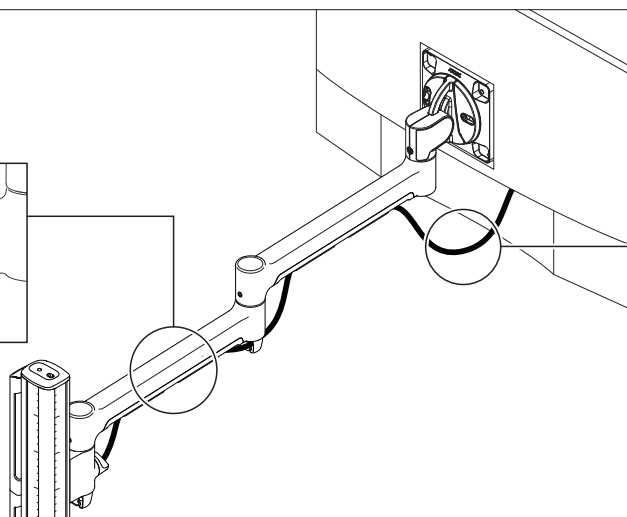
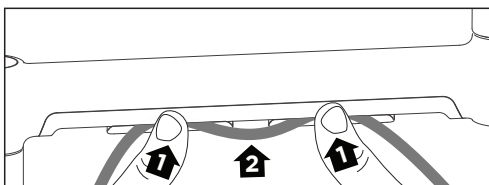
5.2 OPTIONAL SECURITY SCREW

If desired, once monitor is attached to the arm, install the security screw. This disables the release switch, preventing theft.



6. Monitor arm cable management

6.1 Plug cables into the monitor and route the cables down the arm using the cable hooks and clips.

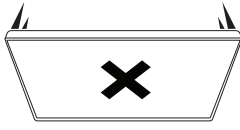


Important
Ensure enough cable slack is given to allow for movement of the monitor

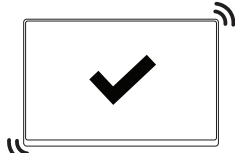
7. OPTIONAL Adjust tilt tension

7.1 Factory set tilt tension will be suitable for most monitors.

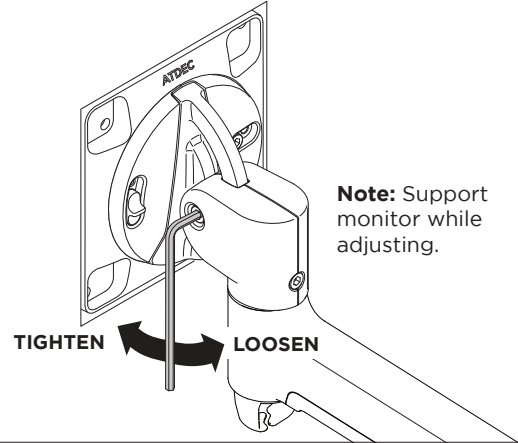
If required, adjust the tilt tension using the 4mm hex key.



DROOPS FORWARD



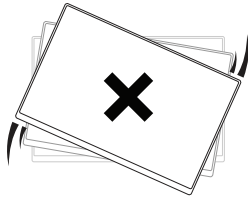
HOLDS POSITION



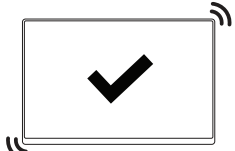
8. OPTIONAL Adjust rotation tension

8.1 Tune the rotation tension using 4mm hex key.

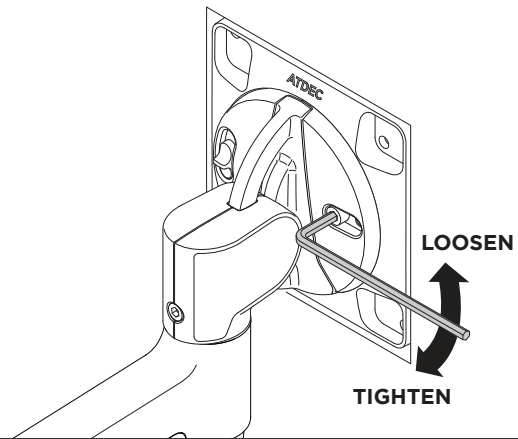
Adjustment may only be required for ultrawide monitors.



DRIFTS

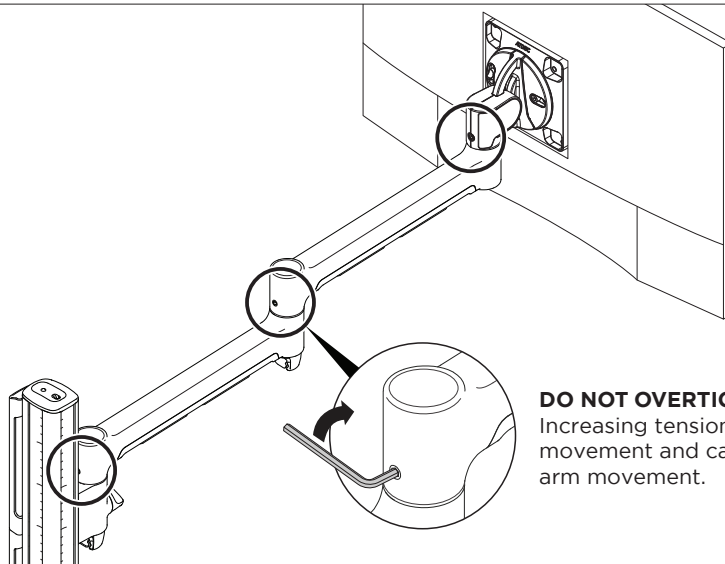


HOLDS POSITION



9. OPTIONAL Adjust arm joint tension

9.1 Arm movement can be adjusted to be firmer or more free. Use the 4mm hex key to adjust the tension of the three pivot joints on the arm.



DO NOT OVERTIGHTEN

Increasing tension only stiffens movement and cannot lock off arm movement.

10. Removing monitor

10.1 Slide release switch up and click into unlocked position, then lift monitor away from the arm.

