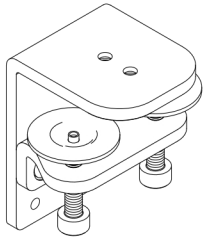
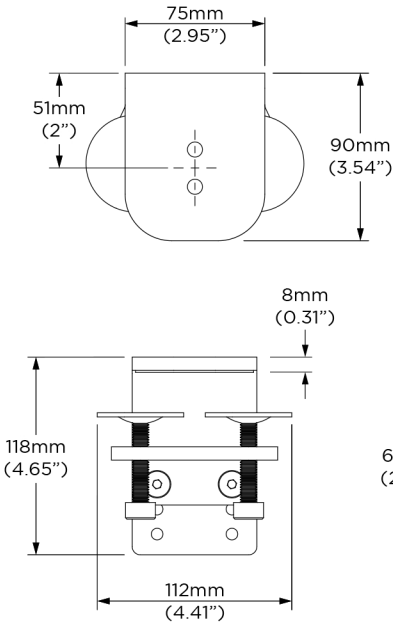


Heavy Duty F Clamp AWM-FH

Dimensions



Worksurface Thickness

