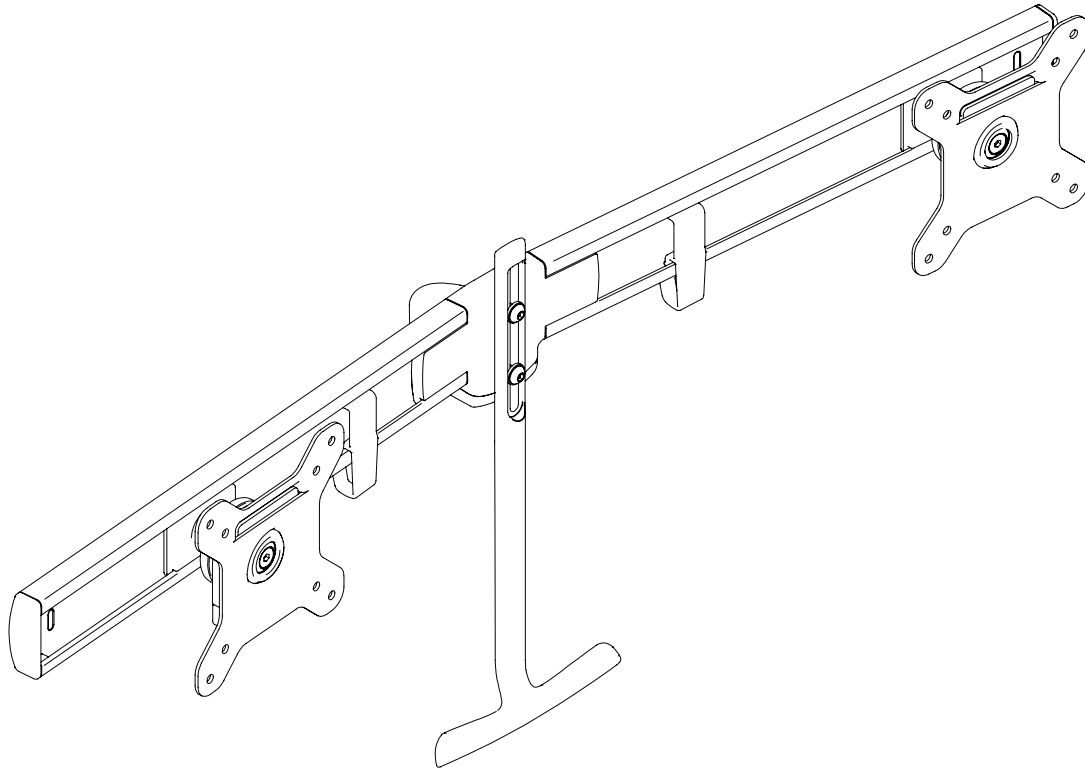
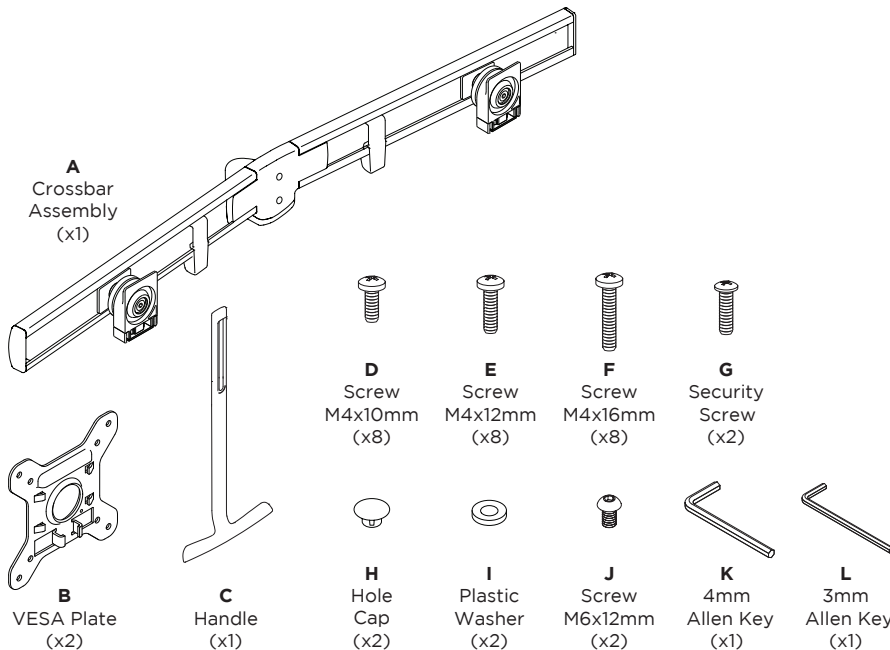


## Dual Crossbar



### COMPONENT CHECKLIST



Desk

### REQUIRED TOOLS

- Phillips Head Screwdriver

### WEIGHT RANGE

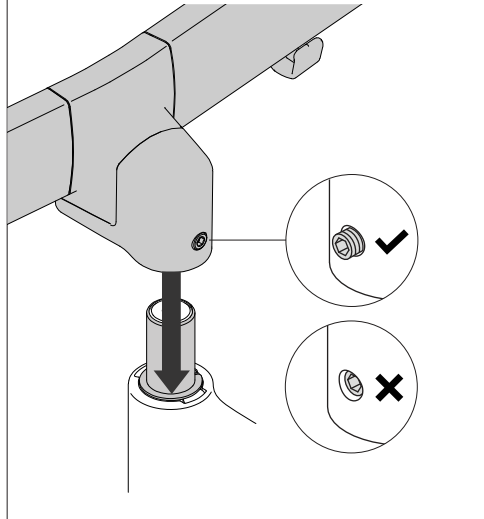
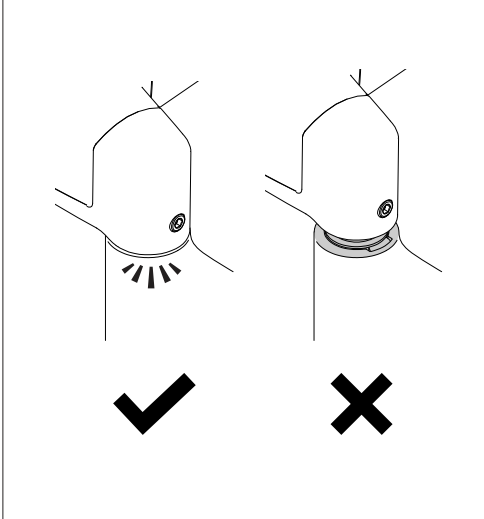
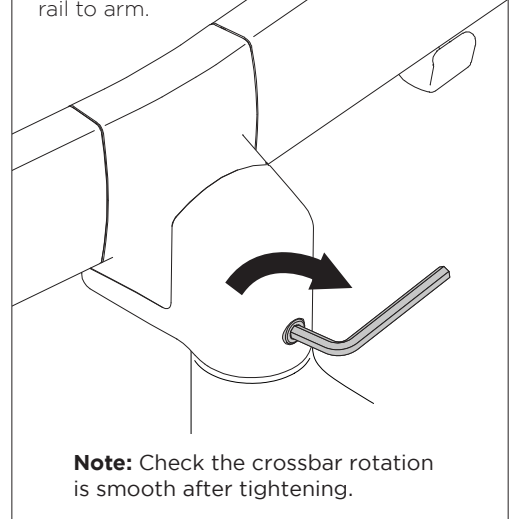
2 - 7kg  
(4.5 - 15lbs)  
per monitor

Monitor weight should be within the weight range of all modular elements that make up the complete monitor mounting solution.

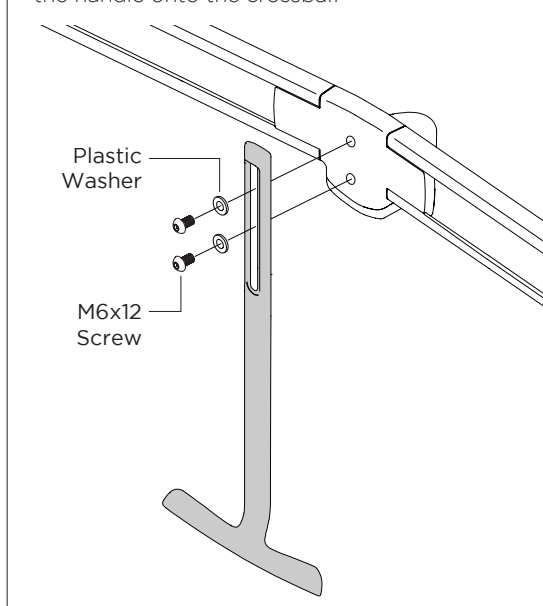
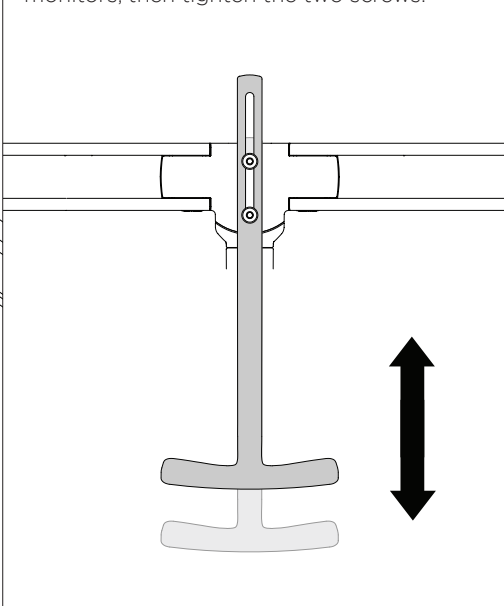
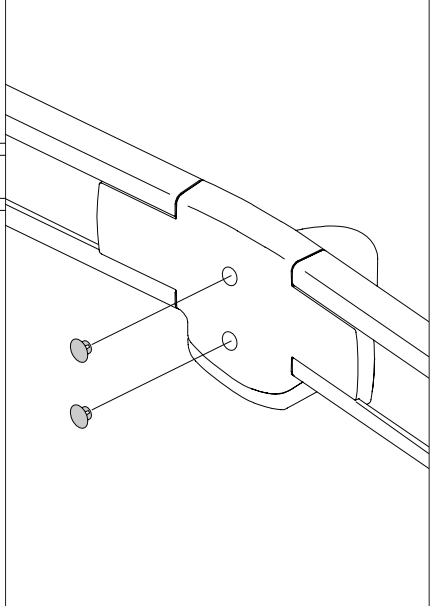
### IMPORTANT INFORMATION

- ! Please ensure this product is installed as per these installation instructions.
- ! Curved monitors, deep devices (such as all-in-one PCs) and offset VESA locations exert additional leverage that can exceed the capacity of the mount even though the monitor weight may be within the stated range.
- ! The manufacturer accepts no responsibility for incorrect installation.
- ! This product is compatible with AWM Series monitor arm products.

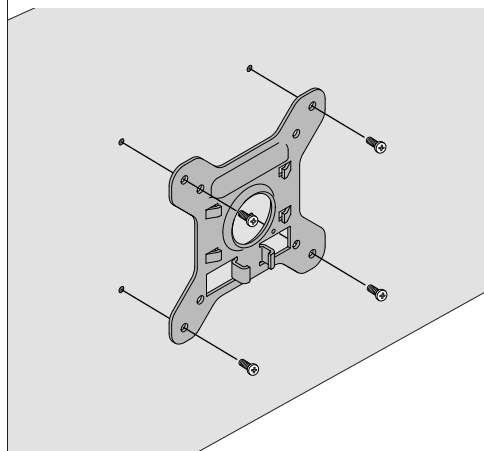
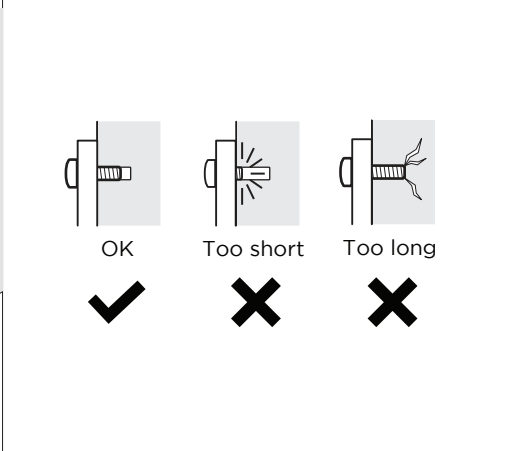
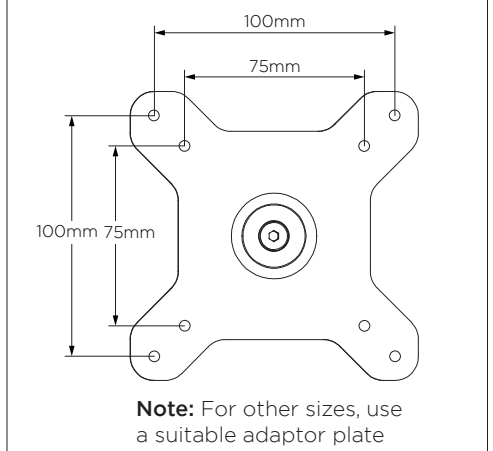
## 1. Mount crossbar onto arm

<p><b>1.1</b> Push crossbar onto shaft at end of arm.</p> 	<p><b>1.2</b> Ensure crossbar is fully pushed onto shaft.</p> 	<p><b>1.3</b> Tighten joint screw to secure rail to arm.</p>  <p><b>Note:</b> Check the crossbar rotation is smooth after tightening.</p>
--	--	--

## 2. Attach handle (Optional)

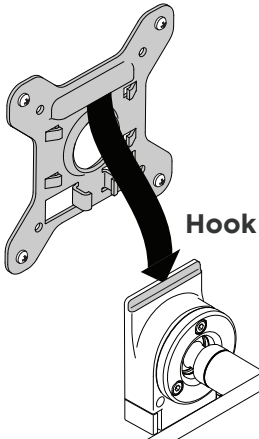
<p><b>2.1</b> Use the 4mm allen key to loosely fasten the handle onto the crossbar.</p> 	<p><b>2.2</b> Adjust handle to a height that suits the monitors, then tighten the two screws.</p> 	<p><b>2.3</b> If not using handle fit hole caps.</p> 
---	---	---

## 3. Attach VESA plates to monitors

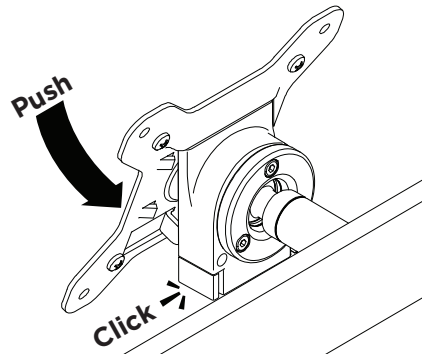
<p><b>3.1</b> Screw VESA plates onto the monitors.</p> 	<p><b>3.2</b> Ensure suitable screw length is used.</p> 	<p><b>3.3</b> VESA mounting compatibility</p>  <p><b>Note:</b> For other sizes, use a suitable adaptor plate</p>
---	--	---

## 4. Mount monitors onto crossbar

**4.1** Hook the top of the VESA plate onto the ball joint mount.

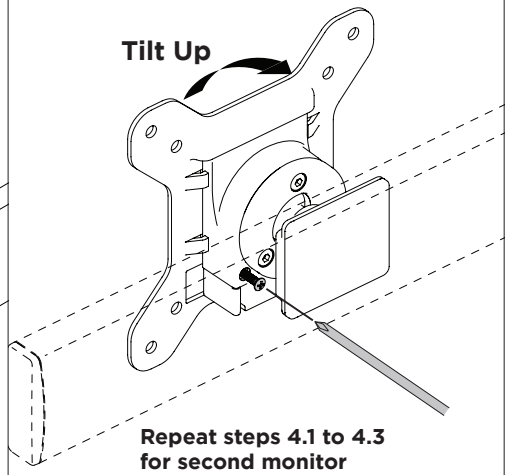


**4.2** Gently push the bottom of the monitor until the VESA plate locks into place.



**4.3 OPTIONAL security screw**

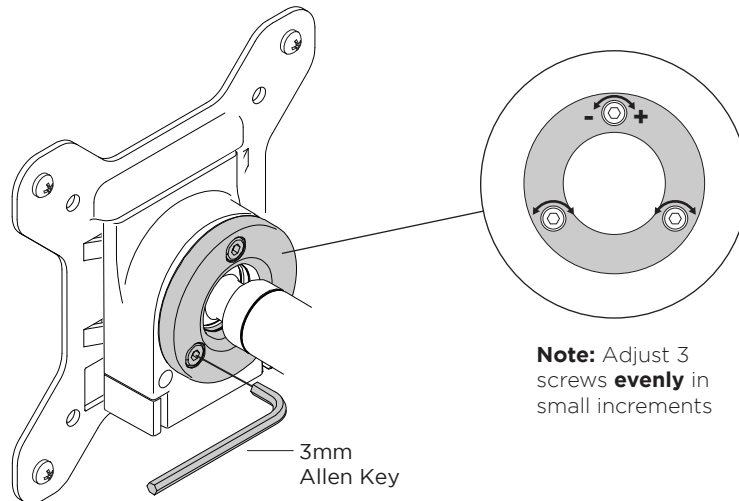
Tilt the monitor upwards to install the security screw.



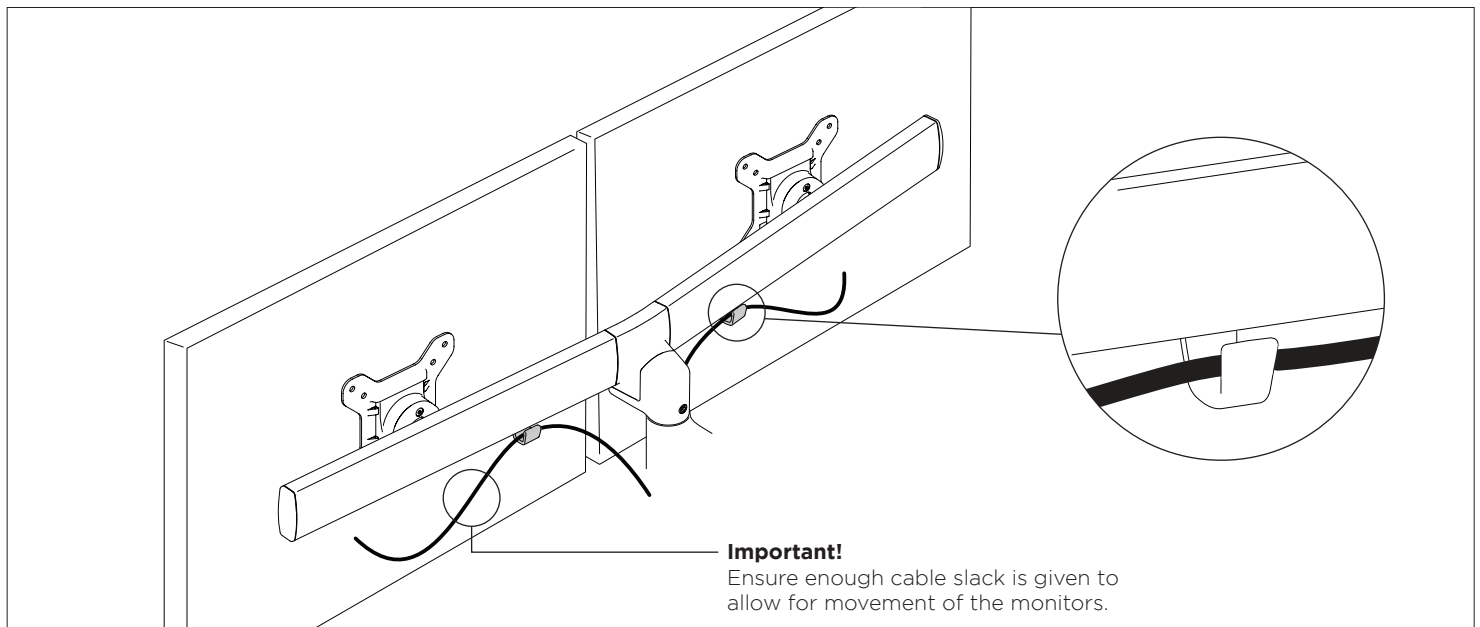
## 5. Adjust the ball joint tension

**5.1** If the monitors are not holding position or are stiff to move, adjust the tension plate by tightening or loosening the three screws.

**Note:** Support the monitor while making adjustments.

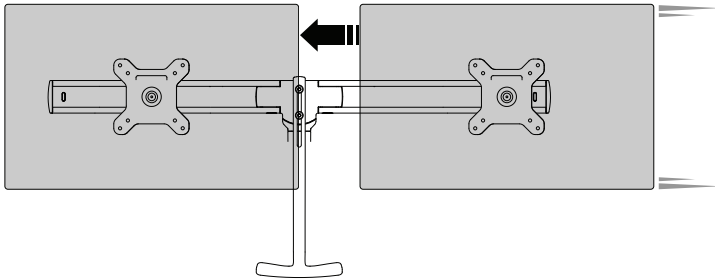


## 6. Install Cables

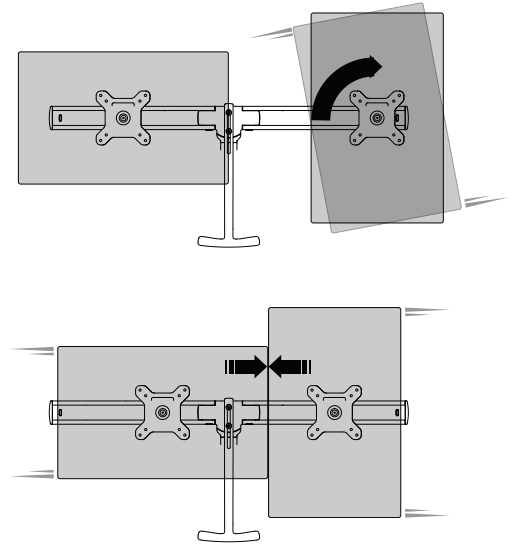


## 7. Adjust horizontal position of monitors

**7.1** Slide the monitors along the crossbar until they are positioned centrally in the desired position.

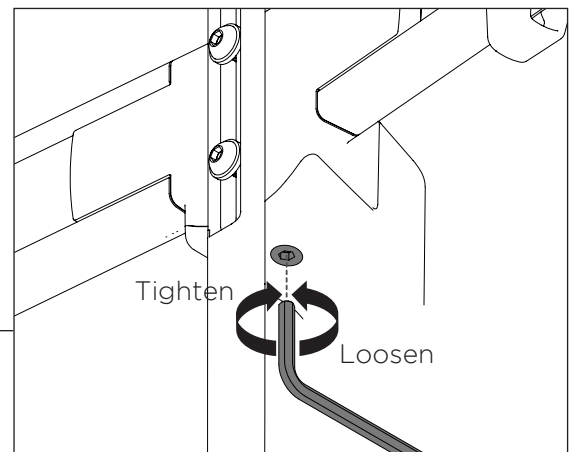
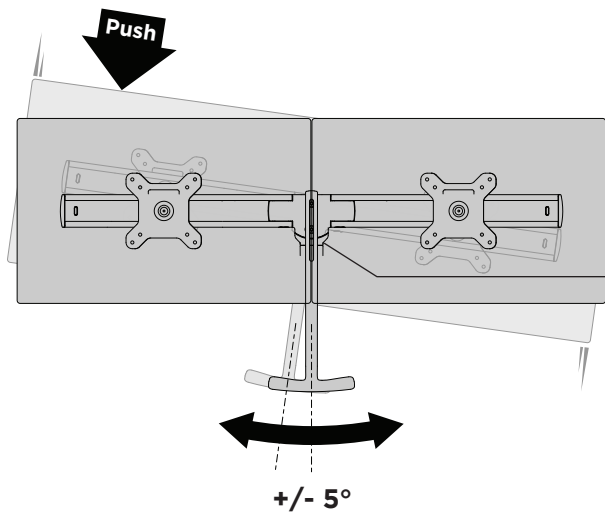


**7.2** Monitors can also be rotated to portrait position.



## 8. Adjust level of crossbar

**8.1** Rotate the crossbar so that it sits parallel to the worksurface.



**OPTIONAL** If the crossbar rotation is too loose or stiff, adjust the tension screw under the centre of the crossbar.

## 9. Adjust monitor angle

