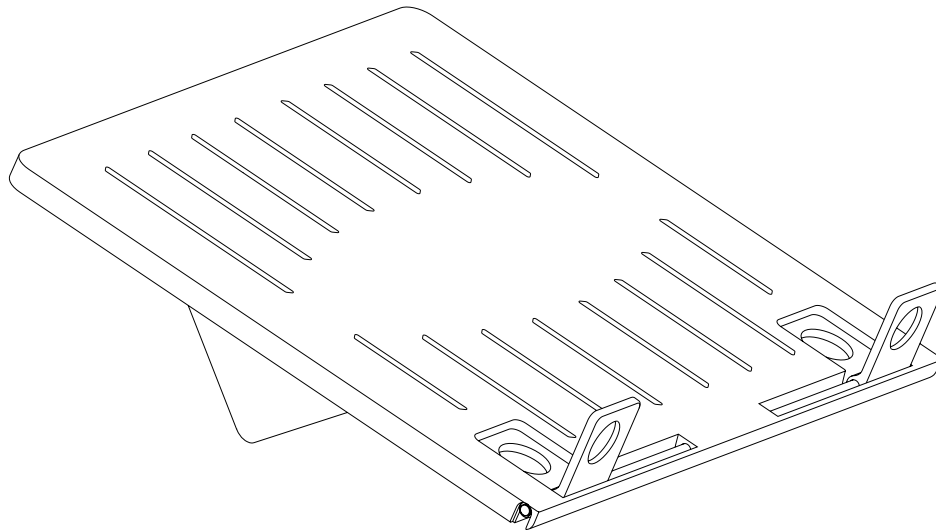
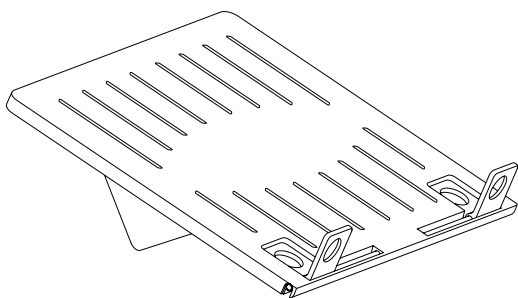


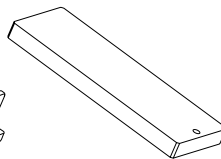
Laptop Tray



COMPONENT CHECKLIST



A
Laptop Tray
(x1)



B
Tray
Counterweight
(x1)



C
Hook-and-Loop
Fasteners
(x4)



D
Screw
M4x12mm
(x1)

Desk 

REQUIRED TOOLS

- Phillips Head Screwdriver

CAPACITY

1-7kg
(2.2-15.4lb)

Monitor weight should be within the weight range of all modular elements that make up the complete monitor mounting solution.

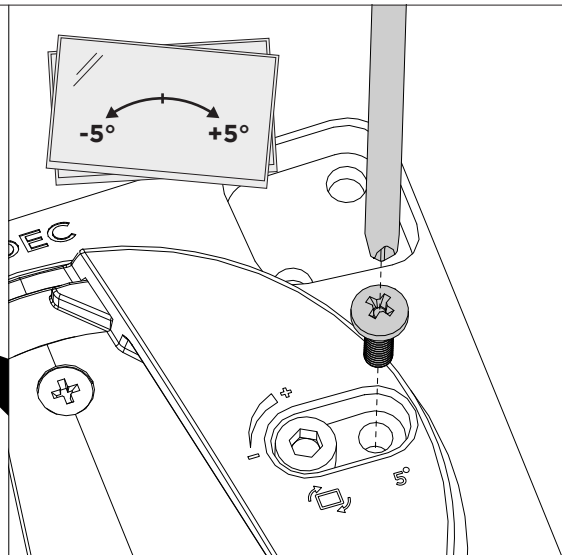
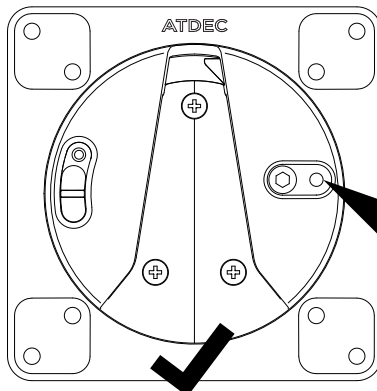
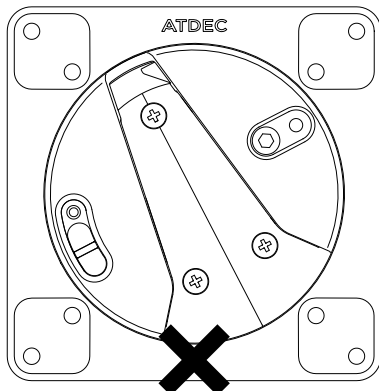
IMPORTANT INFORMATION

- ! **Please ensure this product is installed as per these installation instructions.**
- ! The manufacturer accepts no responsibility for incorrect installation.
- ! This product is not suitable for outdoor use or mobile applications.
- ! Do not over-tighten screws and adjustment points on product.
- ! Periodic adjustment to counterbalance and tilt tension may be required.
- ! VESA mounted accessories (such as mini PC brackets and mounts), offset VESA locations, and unevenly weighted monitors (relative to the center of the VESA mounting interface) exert additional leverage that can exceed the capacity of the mount even though the monitor weight may be within the stated range. Please contact Atdec if you would like further information.

1. Attach rotation limit screw to VESA head

1.1 To prevent the device being flipped over, install M4x12mm screw to the VESA head that limits the head rotation.

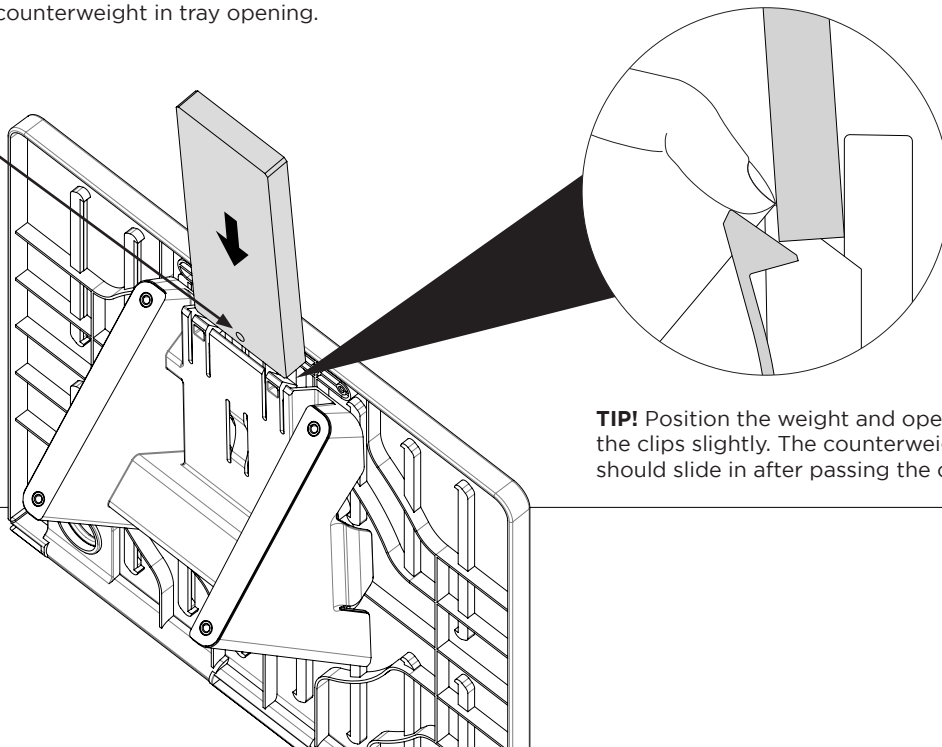
NOTE: Ensure VESA head is rotated to the orientation below before installation rotation limit screw.



2. Insert tray counterweight into tray

2.1 Place tray upright to insert counterweight in tray opening.

NOTE: Disregard the hole on the counterweight

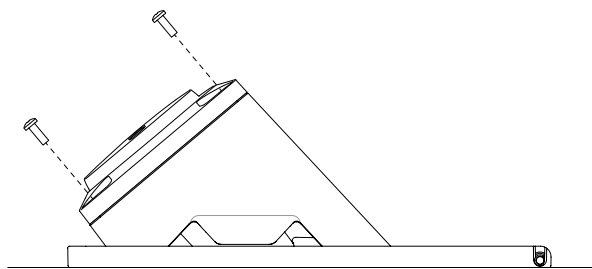
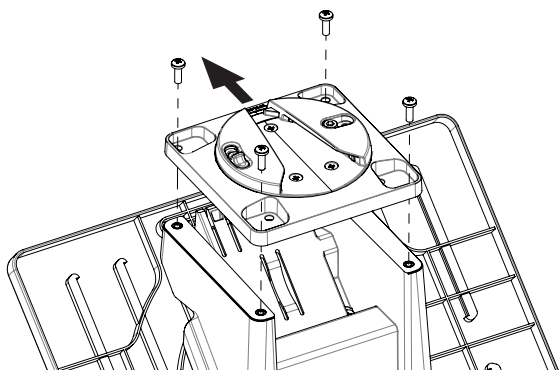


TIP! Position the weight and open the clips slightly. The counterweight should slide in after passing the clips.

3. Attach VESA head to Laptop Tray

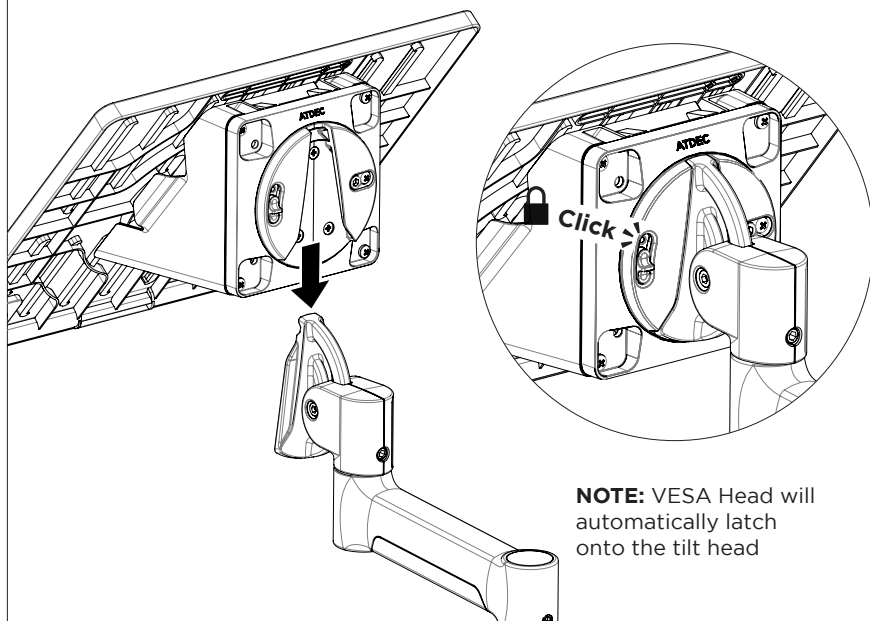
3.1 Attach VESA head to the Laptop Tray.

NOTE: VESA head and (4x) mounting screws are supplied with the monitor arm. Atdec logo should be facing top of tray (see arrow).



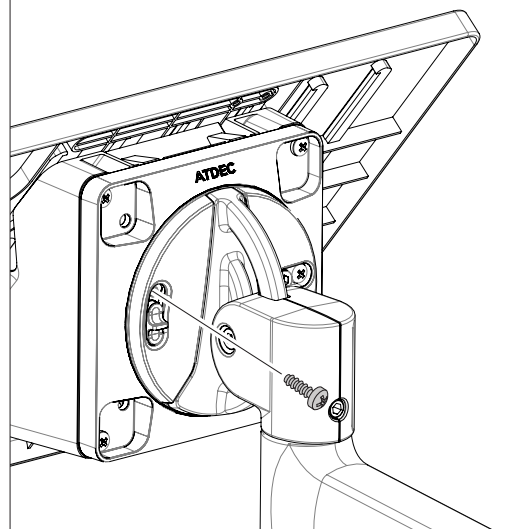
4. Attach Laptop Tray onto arm

4.1 Attach Laptop Tray onto Arm



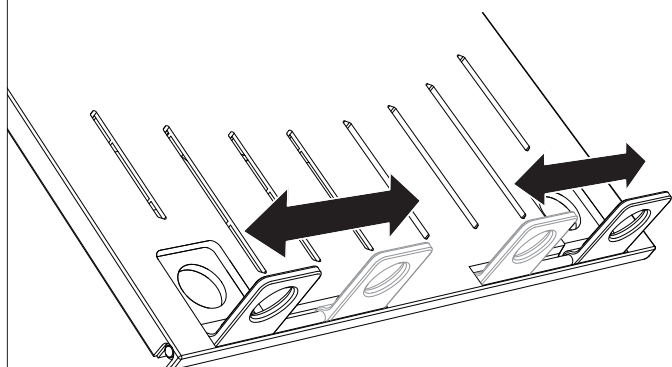
4.2 OPTIONAL SECURITY SCREW

If desired, once monitor is attached to the arm, install the security screw which disables the release switch.

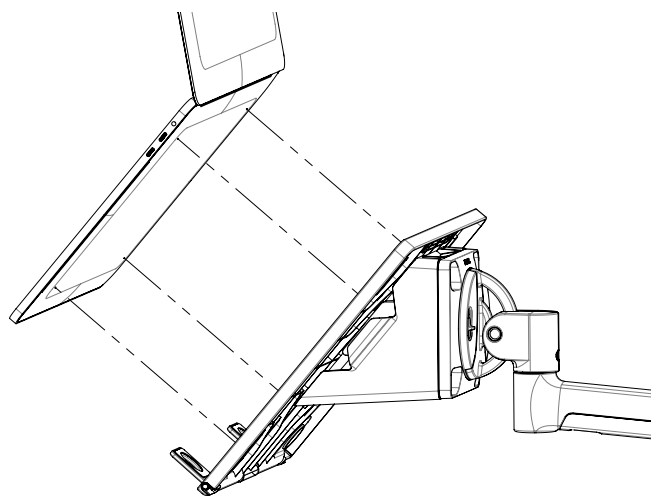


5. Mount laptop to Laptop Tray

5.1 Adjust the support tabs to suit the width of the laptop.

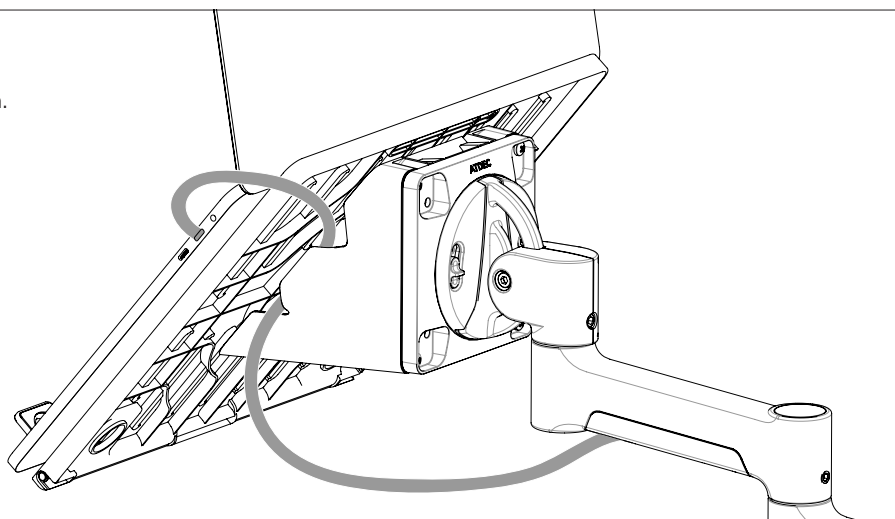


5.2 (OPTIONAL) To increase stability, apply the supplied self adhesive Hook-and-Loop fasteners.



6. Cable management

6.1 (OPTIONAL) Cables can be clipped into the underside of the tray before continuing to the cable management of the chosen arm.



7. Adjustments

7.1 If required, adjust the tilt tension using the 4mm hex key.

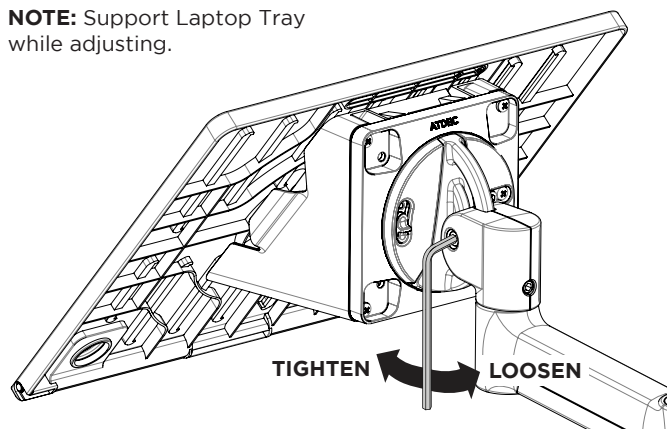
NOTE: Support Laptop Tray while adjusting.



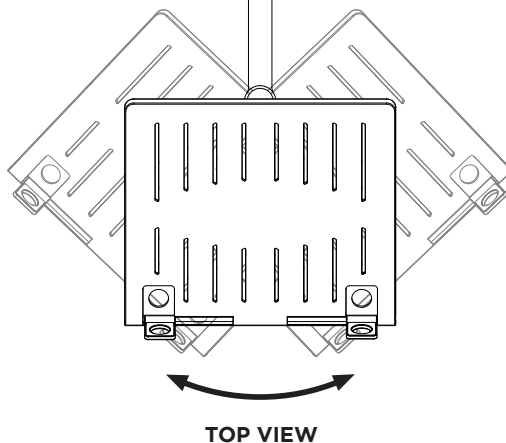
DROOPS FORWARD



HOLDS POSITION



7.2 Pan device to desired position.



7.3 Align and level device to other displays.

