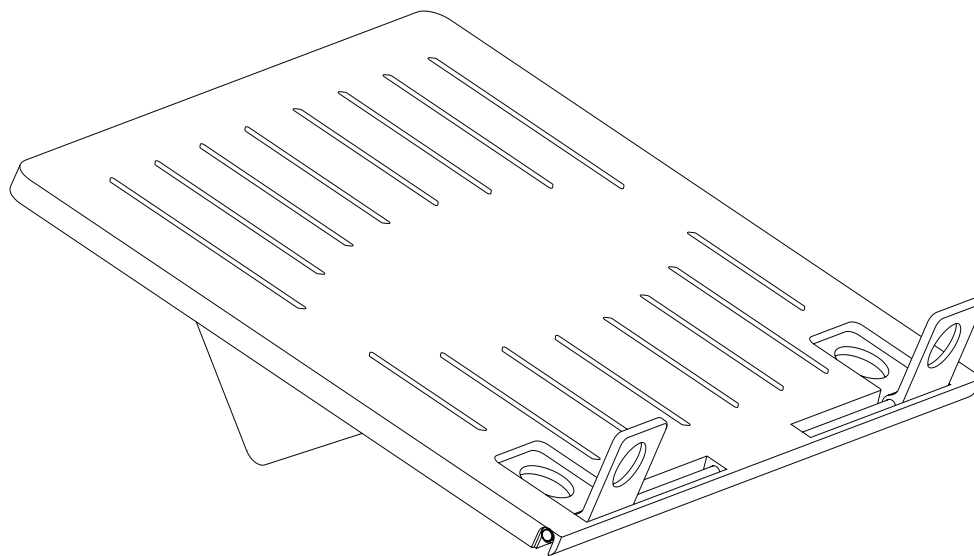


Laptop Tray



FEATURES

- Ventilated non-slip tray recommended for laptops up to 18”.
- Attached to AWM and ORA products.
- Adjustable support tabs to hold laptop in place.
- Cable management clip secures cables.
- Hook and loop fasteners included for extra stability if required.
- Durable composite plastic construction.
- Compatible with: AWM-A13T, AWM-A46T, AWM-A71T, AWM-ADTC and AW-ORA.

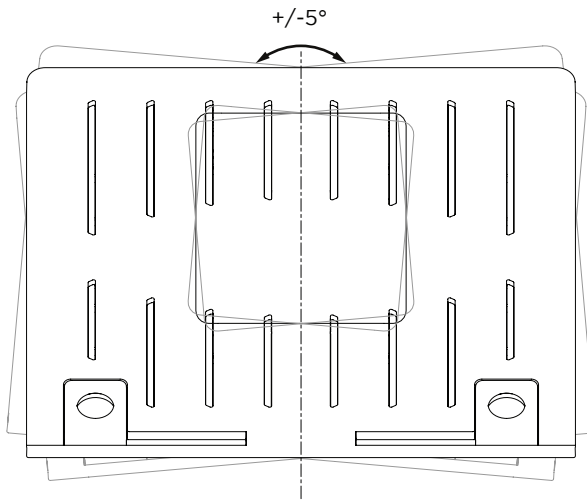
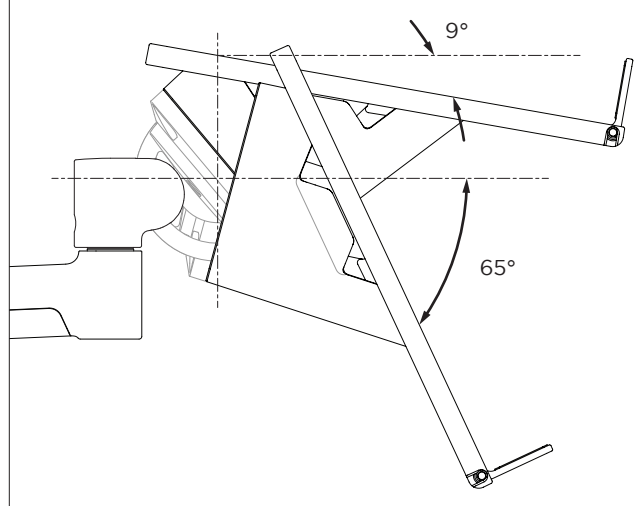
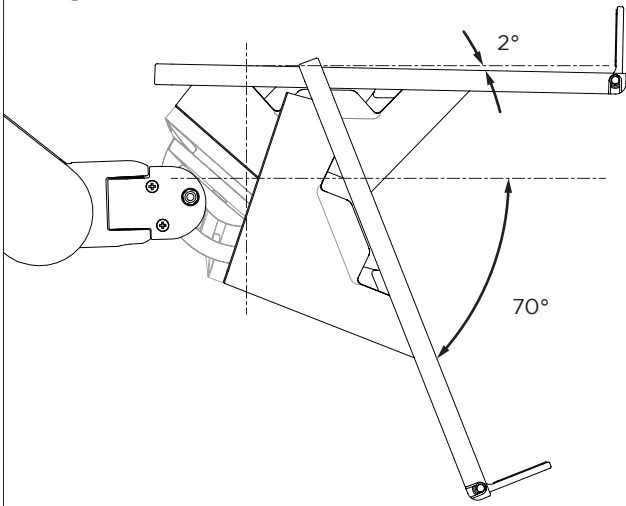
Capacity	1-7kg (2.2-15.4lb)*
Device size	Up to 18”
Tilt adjustment (on AWM-LT)	+2°/+70°
Tilt adjustment (on AW-ORA)	+9°/+65°
Pan adjustment	360°
Levelling adjustment	±5°

* Device weight should be within the weight range of all modular elements that make up the complete monitor mounting solution.

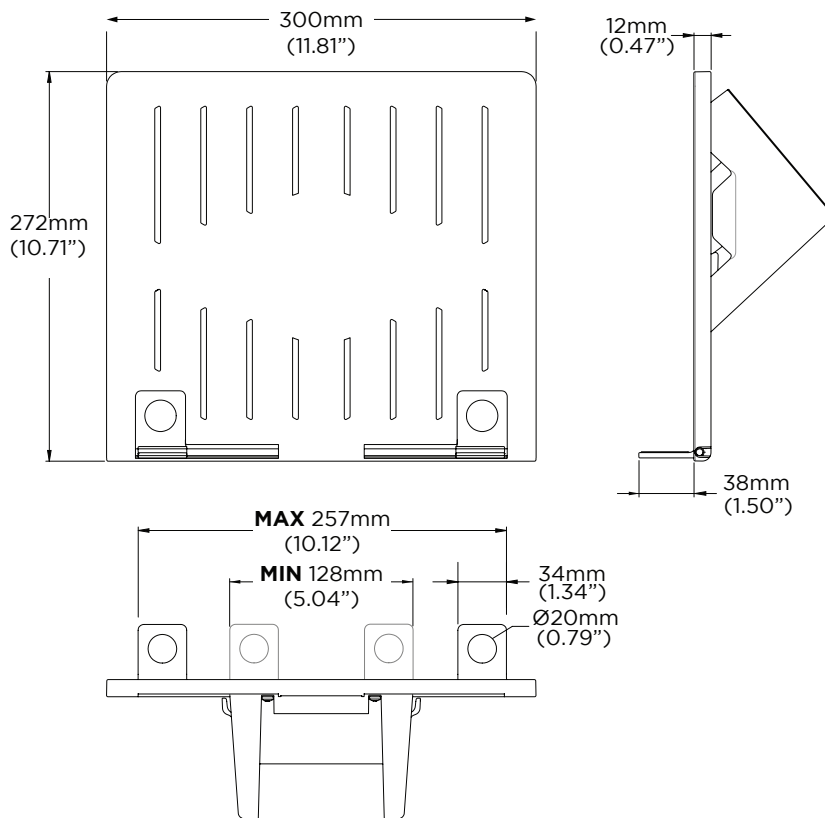
WARRANTY

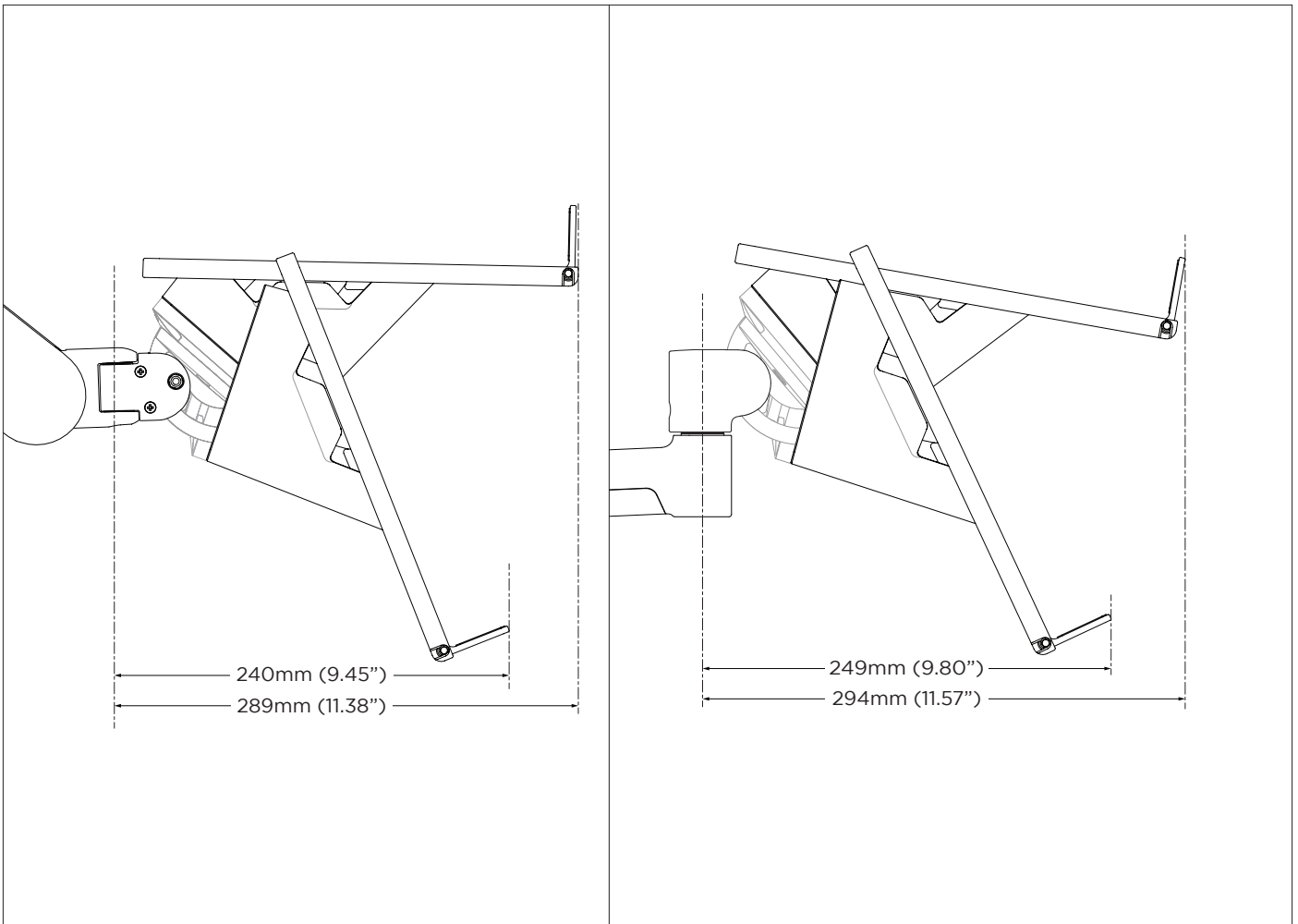
10 years limited

MOVEMENT

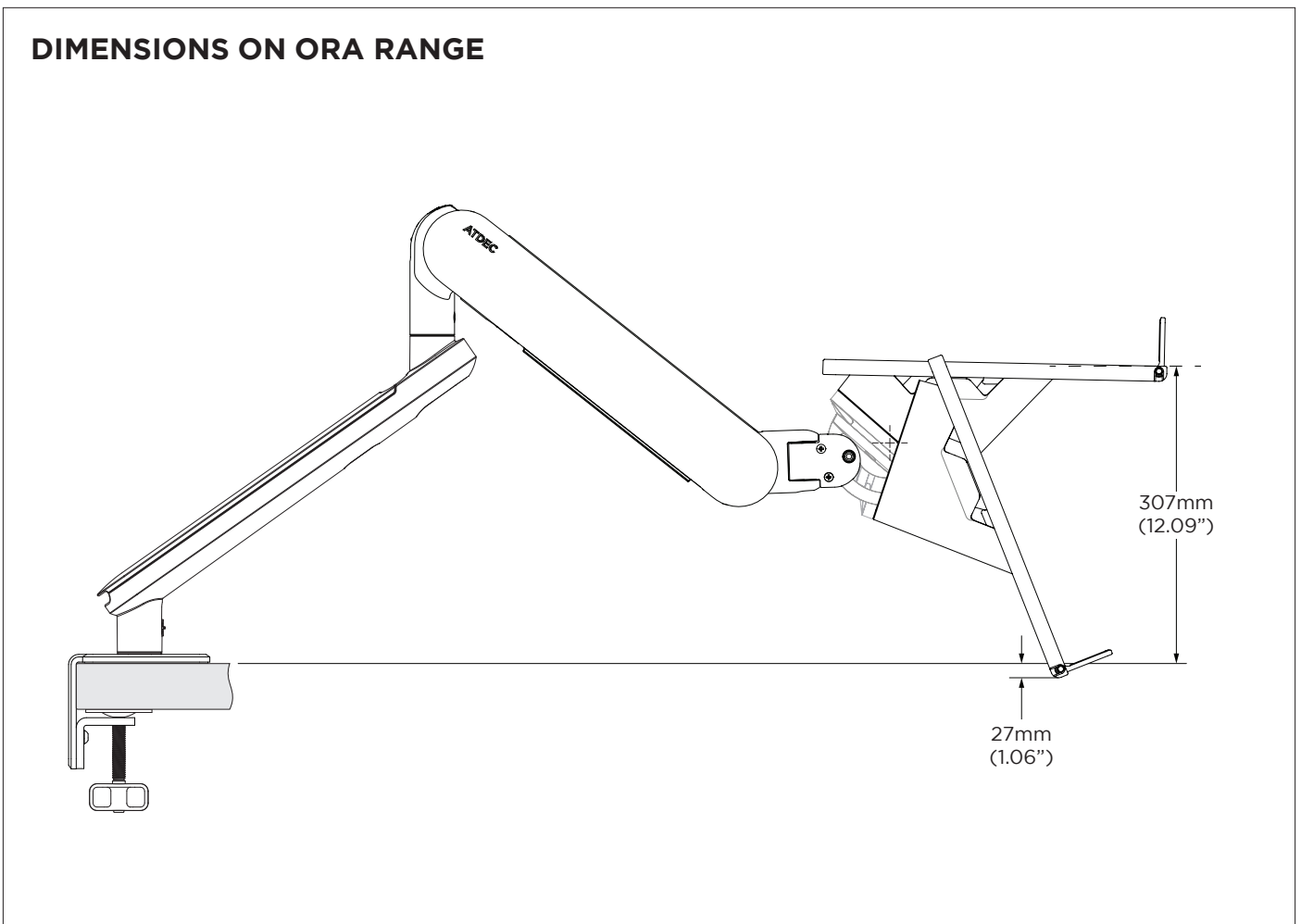


DIMENSIONS





DIMENSIONS ON ORA RANGE



DIMENSIONS ON AWM RANGE

