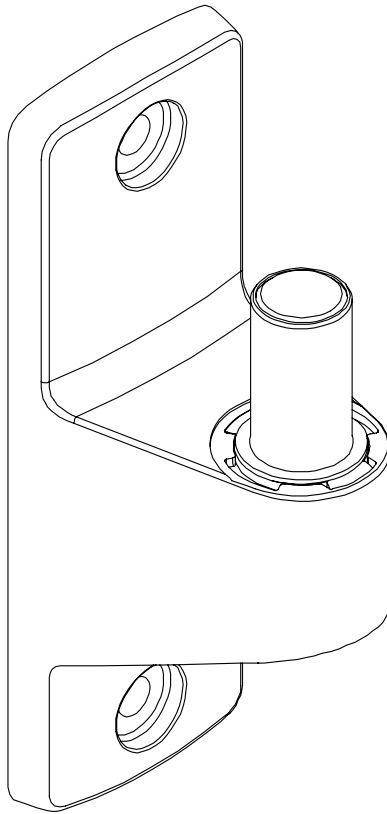


### AWM Single Wall Bracket



#### FEATURES

- Wall fixing for single monitor arm
- Robust construction to suit large and heavy displays
- Supplied with wall mounting fasteners to suit timber stud wall constructions.
- Compatible with AWM Series monitor arms, including AWM-AHX Heavy Duty Dynamic Arm.

**Display weight** 0 - 18kg (0 - 40lb)\*

**Rotation adjustment** 180° (default)

**Primary material** Aluminium

\*Monitor weight should be within the weight range of all modular elements that make up the complete monitor mounting solution.

#### WARRANTY

10 years limited

# DIMENSIONS

