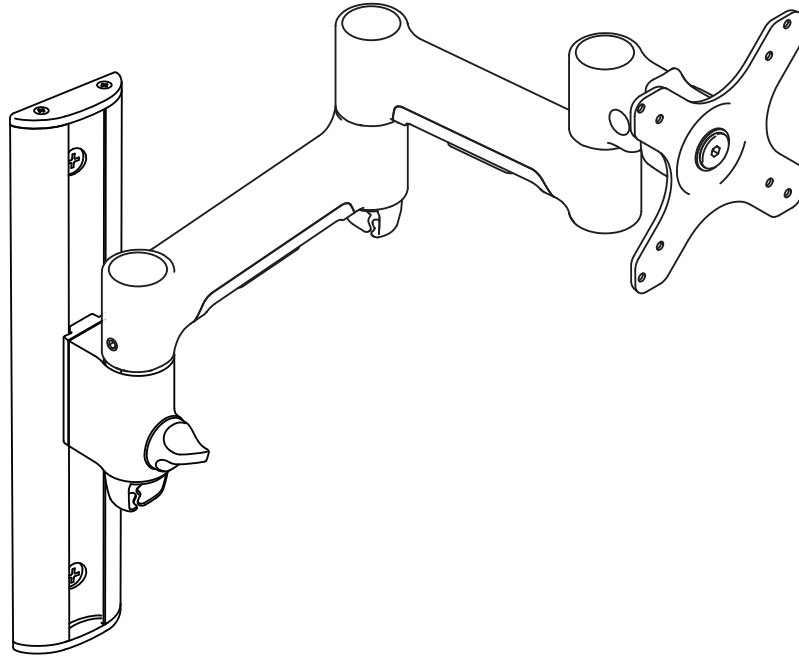


## Single Monitor Arm on Wall Mount



### FEATURES

- Monitor quick release mechanism.
- Integrated, optional 180° rotation limiter to prevent interference with the wall.
- Cable management with generous capacity guides cables discreetly down the arm to the work surface.

### Monitor weight range

**Flat monitor**

0-12kg (0 - 26lb)\*

**Curved monitor**

0-8kg (0 - 17.6lb)\*

### Vertical adjustment

290mm (11.42")

### Tilt angle

+45 /- 25°

### Monitor rotation

360°

### VESA mounting

75x75 | 100x100

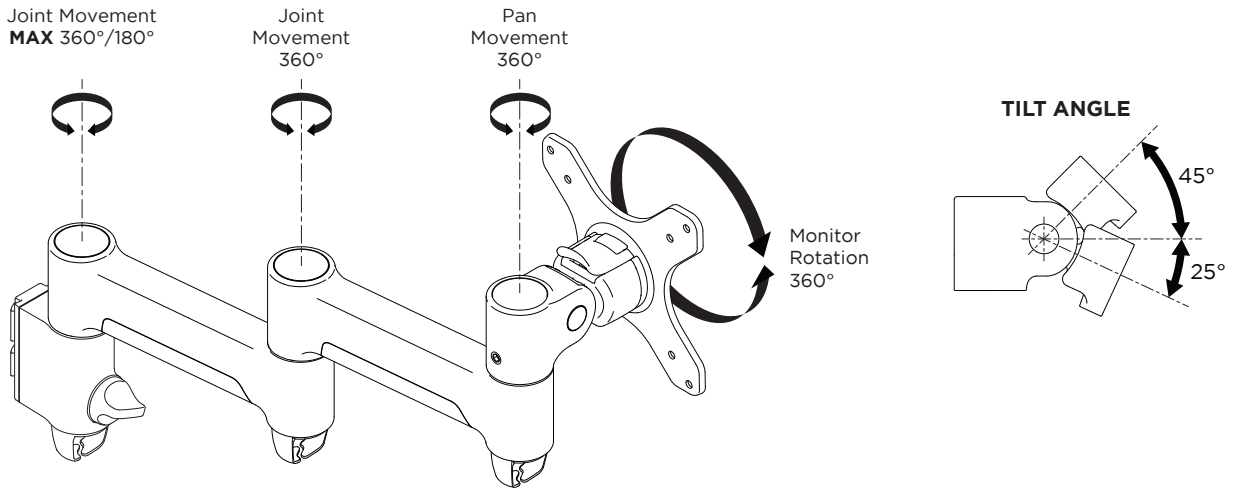
\*Monitor weight should be within the weight range of all modular elements that make up the complete monitor mounting solution.

\*Curved monitors, deep devices (such as all-in-one PCs) and offset VESA locations exert additional leverage that can exceed the capacity of the mount even though the monitor weight may be within the stated range. Please contact Atdec if you would like further information.

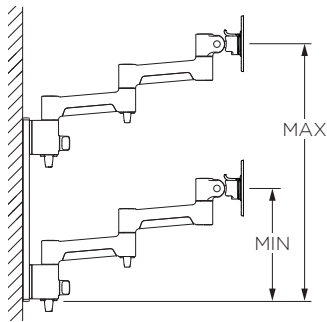
### WARRANTY

10 years limited

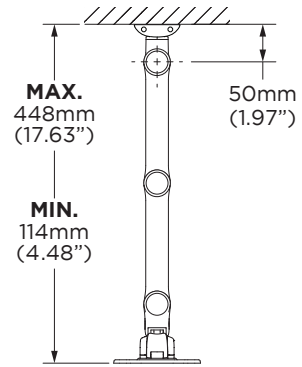
## MOVEMENT - 460 ARM



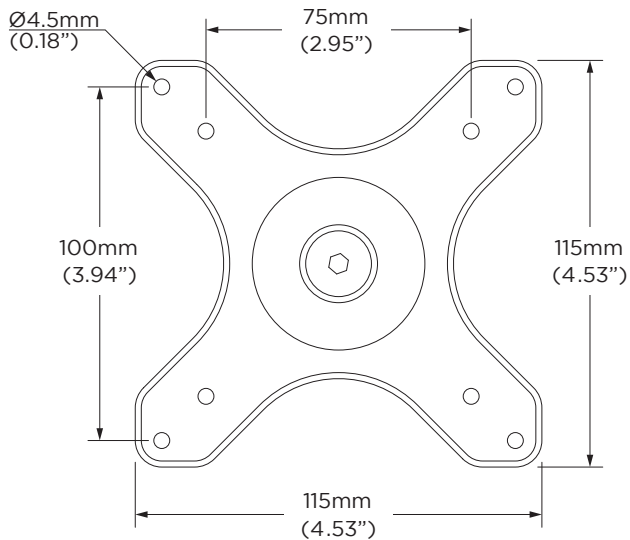
## DIMENSIONS - 460 ARM ON 350 WALL CHANNEL



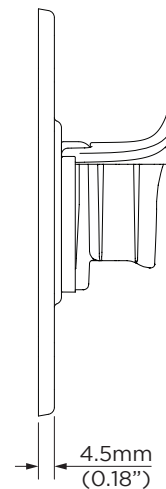
**MIN HEIGHT** 224mm (8.82")  
**MAX HEIGHT** 514mm (20.24")  
**RANGE** 290mm (11.42")



## DIMENSIONS - VESA HEAD

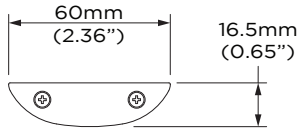


FRONT VIEW

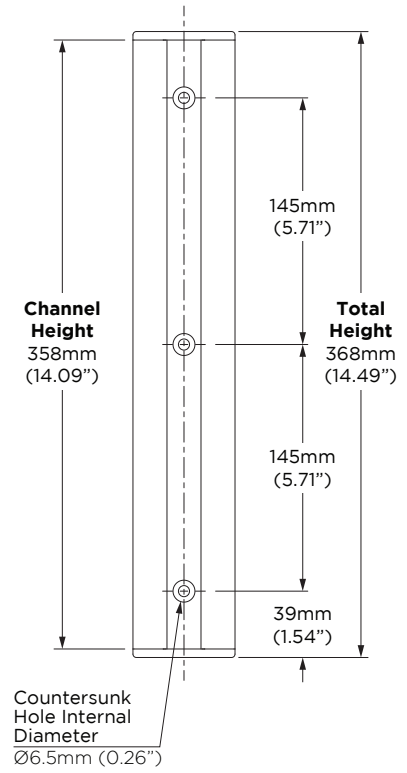


SIDE VIEW

# DIMENSIONS - 350 WALL CHANNEL



TOP VIEW



FRONT VIEW