

Elevate II

Wall/Countertop Mount Kiosk

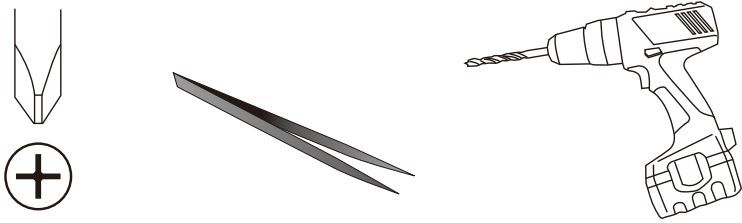
Assembly Instructions

Contents

| | | |
|---|----|--|
| A | x1 | |
| B | x1 | |
| C | x1 | |
| D | x1 | |
| E | x1 | |
| F | x4 | |

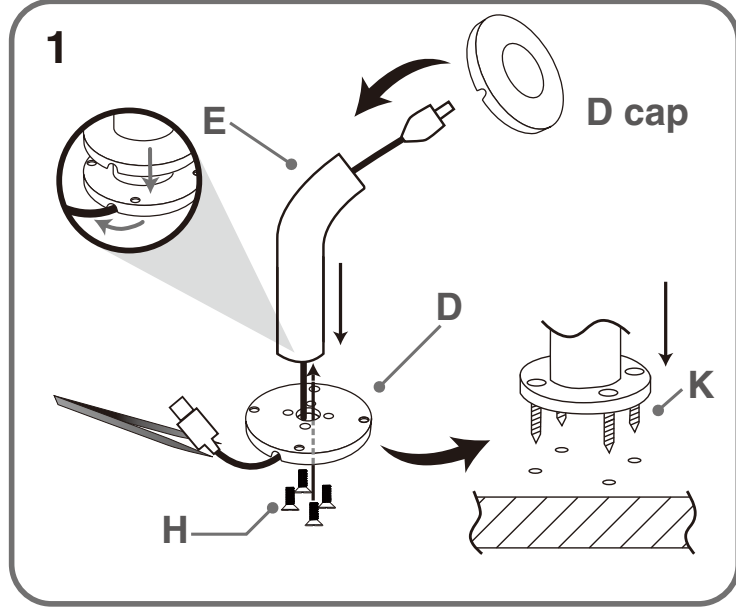
| | | |
|---|----|--|
| G | x2 | |
| H | x4 | |
| I | x4 | |
| J | x4 | |
| K | x4 | |

Tools required

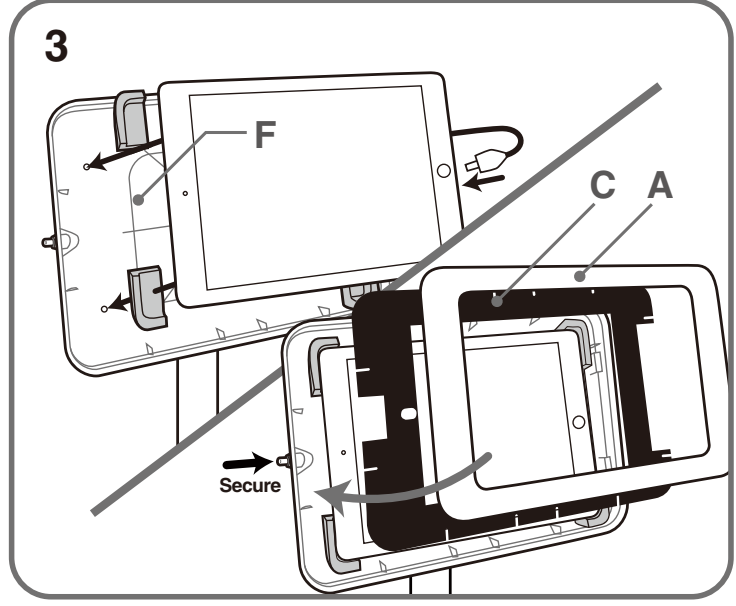
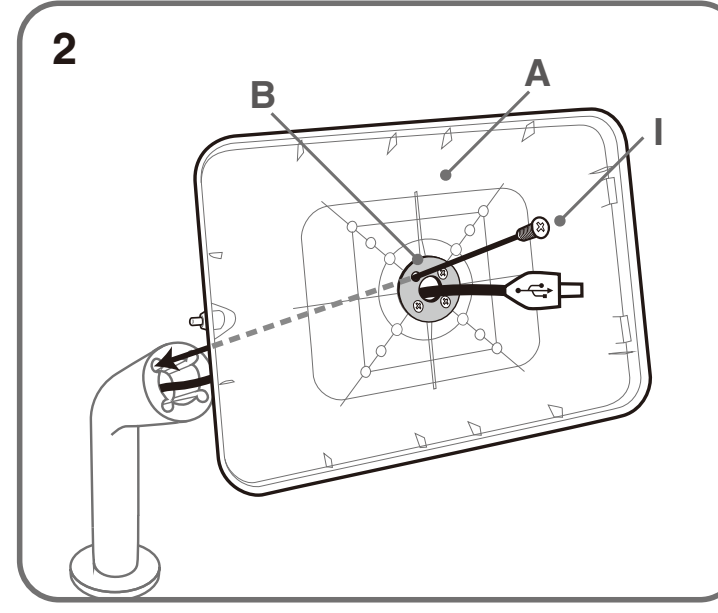
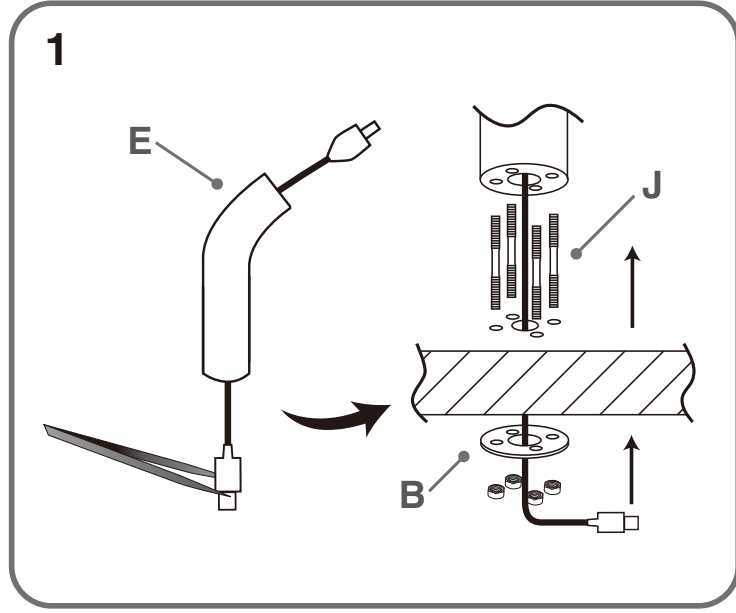


Assembly Instructions

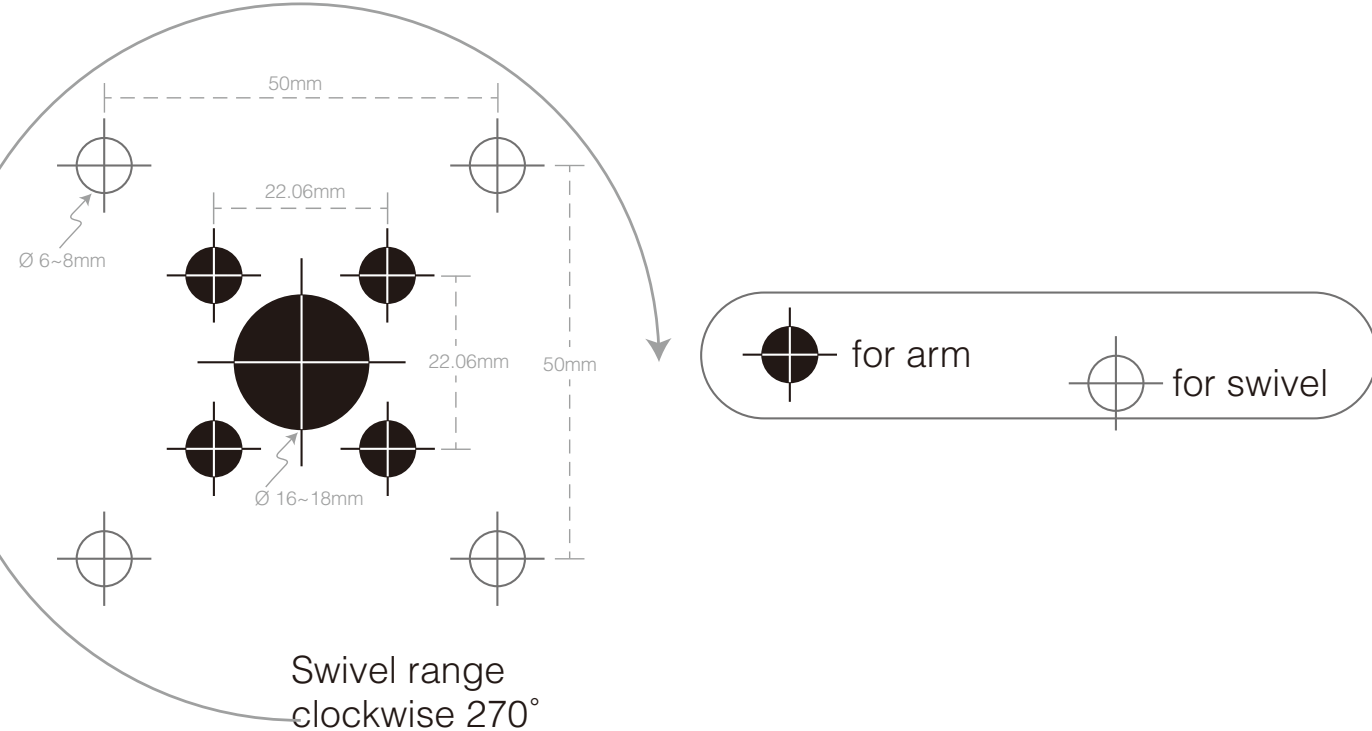
OPTION A Mount from above the surface



OPTION B Mount below the surface



Drilling Template (Scale 1:1)



Optional 90° Module Assembly Instructions

| | | |
|---|----|--|
| L | x1 | |
| M | x4 | |
| N | x4 | |

