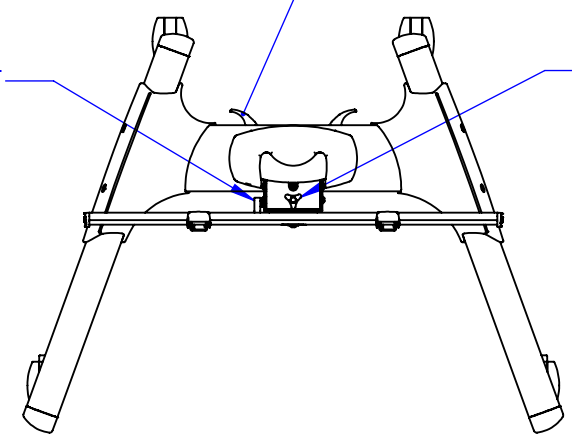


CABLE CORD WRAP HOOKS

+/-2° ROLL ADJUSTMENT

+/-5° TILT ADJUSTMENT



7.87 [200] MIN
31.50 [800] MAX

15.75
[400.0]

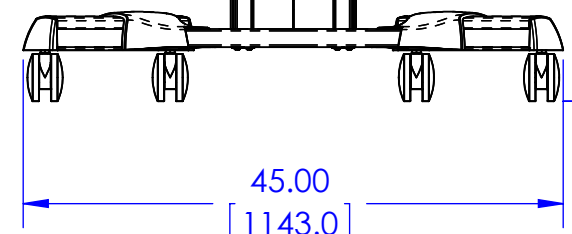
CABLE MANAGEMENT COVERS

70.05
[1779.3]
MAX HEIGHT TO CENTER OF DISPLAY

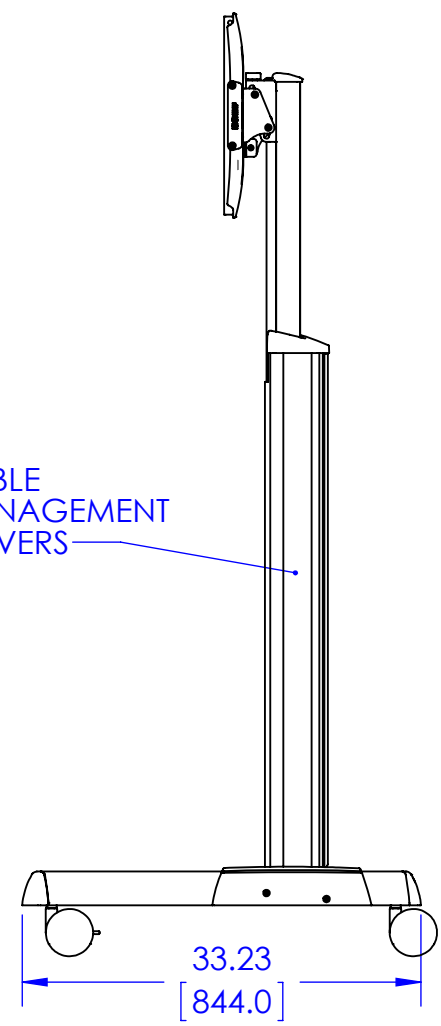
CABLE MANAGEMENT COVERS

50.05
[1271.3]
MIN HEIGHT TO CENTER OF DISPLAY

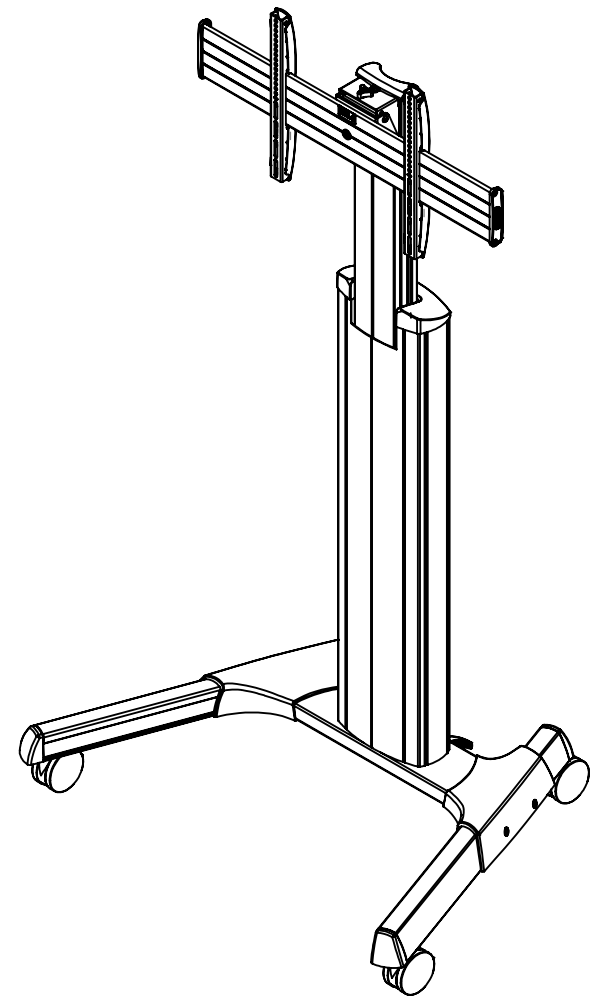
45.00
[1143.0]



CABLE MANAGEMENT COVERS



33.23
[844.0]



THE INFORMATION AND DESIGNS CONTAINED IN THIS DRAWING ARE CONFIDENTIAL AND THE PROPRIETARY PROPERTY OF MILESTONE AV TECHNOLOGIES NEITHER THIS DESIGN NOR ANY INFORMATION CONTAINED IN THIS DRAWING MAY BE REPRODUCED OR DISCLOSED TO OTHERS WITHOUT THE EXPRESS WRITTEN CONSENT OF MILESTONE AV TECHNOLOGIES.

CAD GENERATED DRAWING, DO NOT MANUALLY UPDATE.			<p>6436 CITY WEST PKWY EDEN PRAIRIE MN, 55344 PHONE: 866-977-3901 FAX: 877-894-6918</p>		
DRAWN BY	PMS	7/12/2012			
ENG APPROVAL			DESCRIPTION CUSTOMER PRINT, LPAU FUSION MANUAL ADJUSTABLE CART		
MFG APPROVAL					
QA APPROVAL			MODEL NO. LPAU		
SHEET 1 OF 1		SCALE 1:16	SIZE B	DWG. NO. TECH-000080	REV. 00