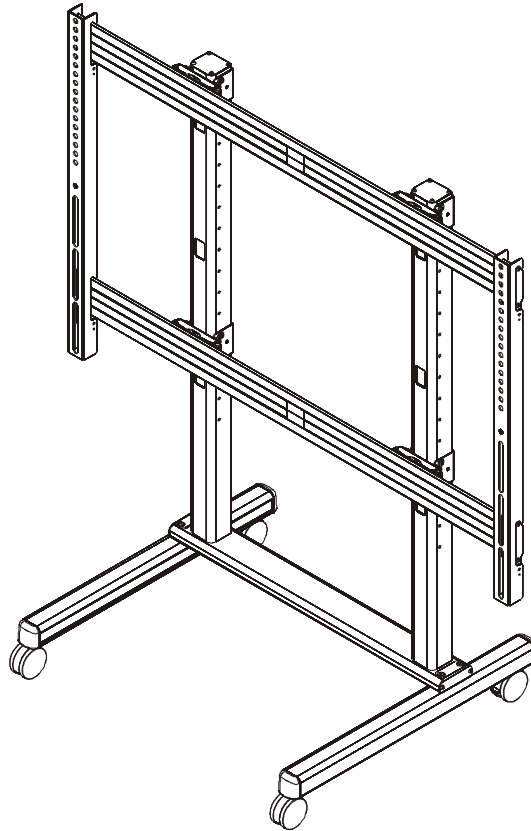

INSTALLATION INSTRUCTIONS



XL Single Screen Video Wall Cart

DISCLAIMER

Milestone AV Technologies and its affiliated corporations and subsidiaries (collectively "Milestone"), intend to make this manual accurate and complete. However, Milestone makes no claim that the information contained herein covers all details, conditions or variations, nor does it provide for every possible contingency in connection with the installation or use of this product. The information contained in this document is subject to change without notice or obligation of any kind. Milestone makes no representation of warranty, expressed or implied, regarding the information contained herein. Milestone assumes no responsibility for accuracy, completeness or sufficiency of the information contained in this document.

Chief® is a registered trademark of Milestone AV Technologies. All rights reserved.

! IMPORTANT SAFETY INSTRUCTIONS

! WARNING: A WARNING alerts you to the possibility of serious injury or death if you do not follow the instructions.

! CAUTION: A CAUTION alerts you to the possibility of damage or destruction of equipment if you do not follow the corresponding instructions.

! WARNING: Failure to read, thoroughly understand, and follow all instructions can result in serious personal injury, damage to equipment, or voiding of factory warranty! It is the installer's responsibility to make sure all components are

properly assembled and installed using the instructions provided.

! WARNING: Failure to provide adequate structural strength for this component can result in serious personal injury or damage to equipment! It is the installer's responsibility to make sure the structure to which this component is attached can support five times the combined weight of all equipment. Reinforce the structure as required before installing the component.

! WARNING: Exceeding the weight capacity can result in serious personal injury or damage to equipment! It is the installer's responsibility to make sure the combined weight of display and attached accessories mounted to the XVM1X1U mount does not exceed 500 lbs (226.8 kg).

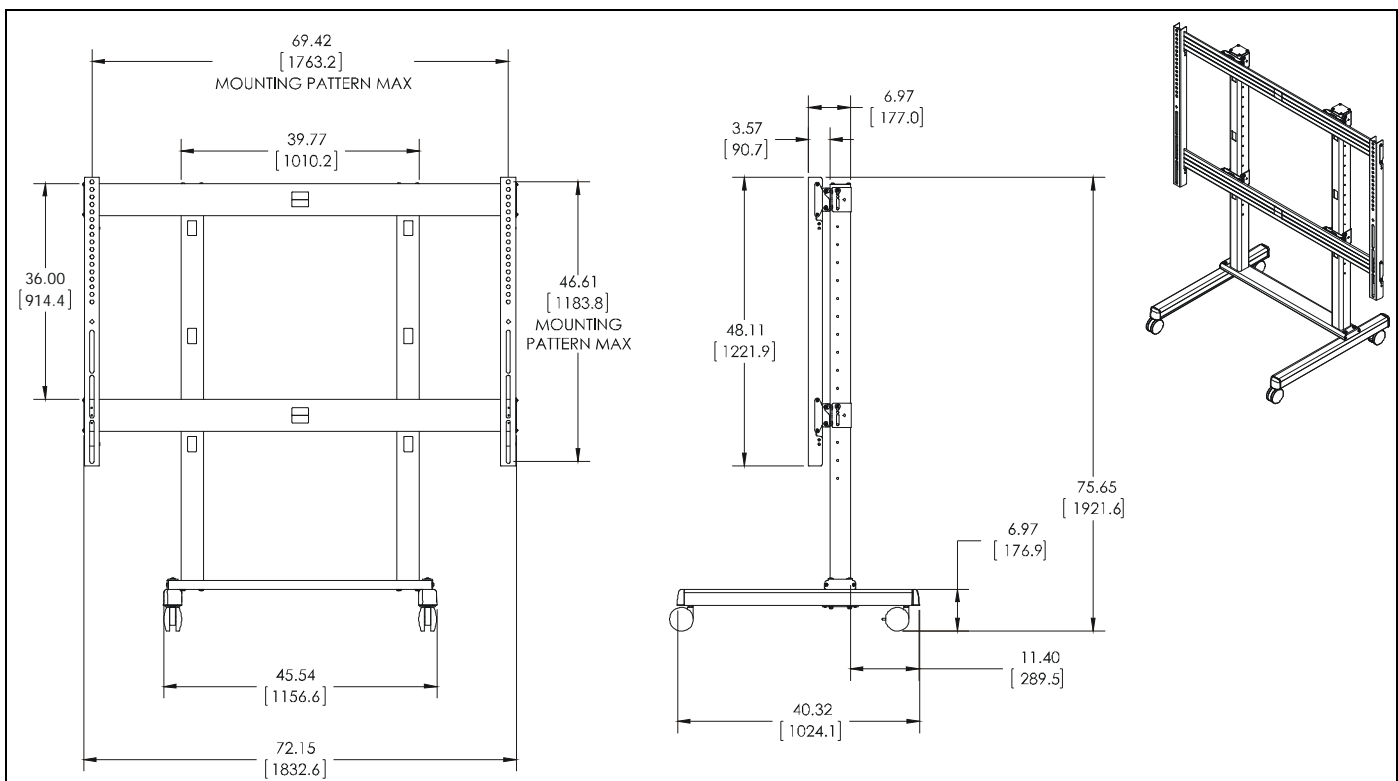
! WARNING: Use this mounting system only for its intended use as described in these instructions. Do not use attachments not recommended by the manufacturer.

! WARNING: Never operate this mounting system if it is damaged. Return the mounting system to a service center for examination and repair.

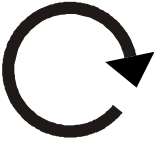

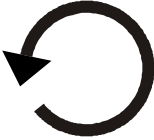









! WARNING: Do not use this product outdoors.

--SAVE THESE INSTRUCTIONS--

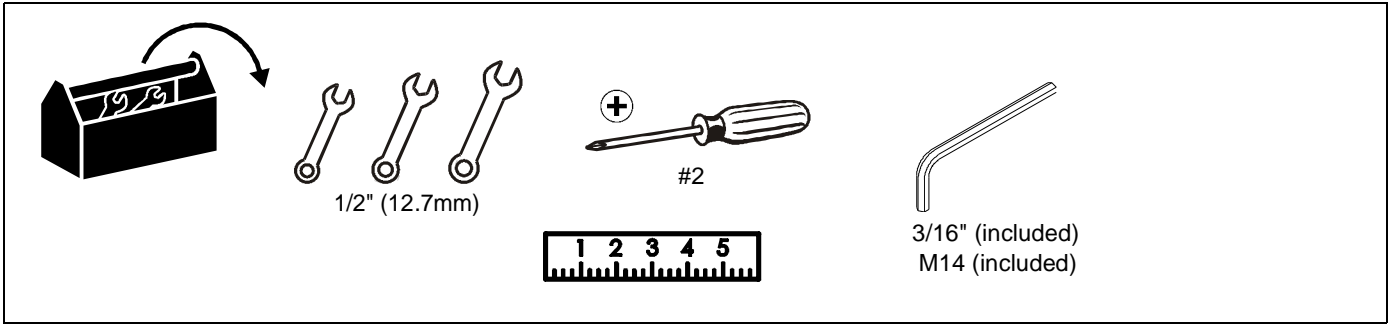
DIMENSIONS



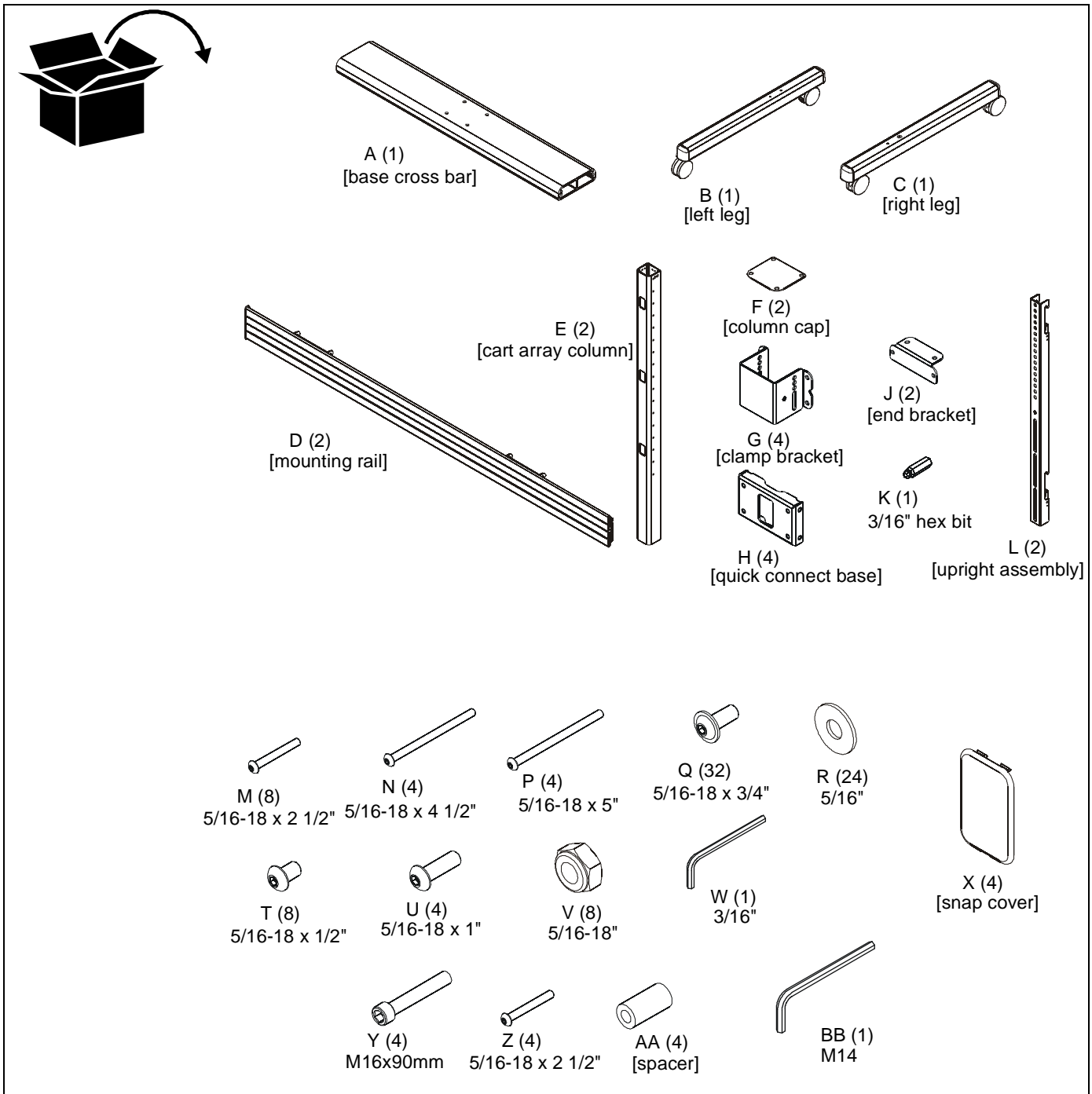
LEGEND

	<p>Tighten Fastener</p> <p>Apretar elemento de fijación</p> <p>Befestigungsteil festziehen</p> <p>Apertar fixador</p> <p>Serrare il fissaggio</p> <p>Bevestiging vastdraaien</p> <p>Serrez les fixations</p>		<p>Pencil Mark</p> <p>Marcar con lápiz</p> <p>Stiftmarkierung</p> <p>Marcar com lápis</p> <p>Segno a matita</p> <p>Potloodmerkten</p> <p>Marquage au crayon</p>
	<p>Loosen Fastener</p> <p>Aflojar elemento de fijación</p> <p>Befestigungsteil lösen</p> <p>Desapertar fixador</p> <p>Allentare il fissaggio</p> <p>Bevestiging losdraaien</p> <p>Desserrez les fixations</p>		<p>Drill Hole</p> <p>Perforar</p> <p>Bohrloch</p> <p>Fazer furo</p> <p>Praticare un foro</p> <p>Gat boren</p> <p>Percez un trou</p>
	<p>Phillips Screwdriver</p> <p>Destornillador Phillips</p> <p>Kreuzschlitzschraubendreher</p> <p>Chave de fendas Phillips</p> <p>Cacciavite a stella</p> <p>Kruiskopschroevendraaier</p> <p>Tournevis à pointe cruciforme</p>		<p>Adjust</p> <p>Ajustar</p> <p>Einstellen</p> <p>Ajustar</p> <p>Regolare</p> <p>Afstellen</p> <p>Ajuster</p>
	<p>Open-Ended Wrench</p> <p>Llave de boca</p> <p>Gabelschlüssel</p> <p>Chave de bocas</p> <p>Chiave a punte aperte</p> <p>Steeksleutel</p> <p>Clé à fourche</p>		<p>Remove</p> <p>Quitar</p> <p>Entfernen</p> <p>Remover</p> <p>Rimuovere</p> <p>Verwijderen</p> <p>Retirez</p>
	<p>By Hand</p> <p>A mano</p> <p>Von Hand</p> <p>Com a mão</p> <p>A mano</p> <p>Met de hand</p> <p>À la main</p>		<p>Optional</p> <p>Opcional</p> <p>Optional</p> <p>Opcional</p> <p>Opzionale</p> <p>Optie</p> <p>En option</p>
	<p>Hex-Head Wrench</p> <p>Llave de cabeza hexagonal</p> <p>Sechskantschlüssel</p> <p>Chave de cabeça sextavada</p> <p>Chiave esagonale</p> <p>Zeskantsleutel</p> <p>Clé à tête hexagonale</p>		<p>Security Wrench</p> <p>Llave de seguridad</p> <p>Sicherheitsschlüssel</p> <p>Chave de segurança</p> <p>Chiave di sicurezza</p> <p>Veiligheidsleutel</p> <p>Clé de sécurité</p>

TOOLS REQUIRED FOR INSTALLATION



PARTS



Assembly And Installation

Cart Assembly

1. Lay two cart array columns (E) down on a flat surface.
2. Use eight 5/16-18 x 2 1/2" button head cap screws (M) and eight 5/16" washers (R) to connect cross bar (A) to columns (E). (See Figure 1)

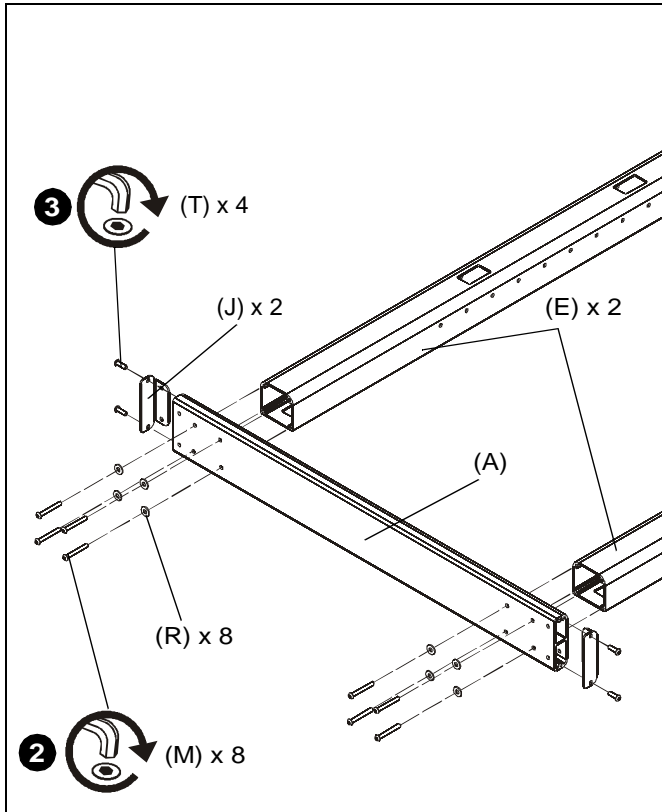


Figure 1

3. Use four 5/16-18 x 1/2" button head cap screws (T) to attach two end brackets (J) to cross bar (A). (See Figure 1)
4. Use four 5/16-18 x 5" button head cap screws (P), four 5/16" washers (R) and four 5/16-18" lock nuts (V) to secure right and left legs (B and C) to cross bar (A). (See Figure 2)

NOTE: To ensure right and left legs (B and C) are assembled on the appropriate side, make sure the smooth side of the legs are to the outside when assembling to cross bar (A).

5. Stand cart up on its wheels.
6. Proceed to Install Rails Section.

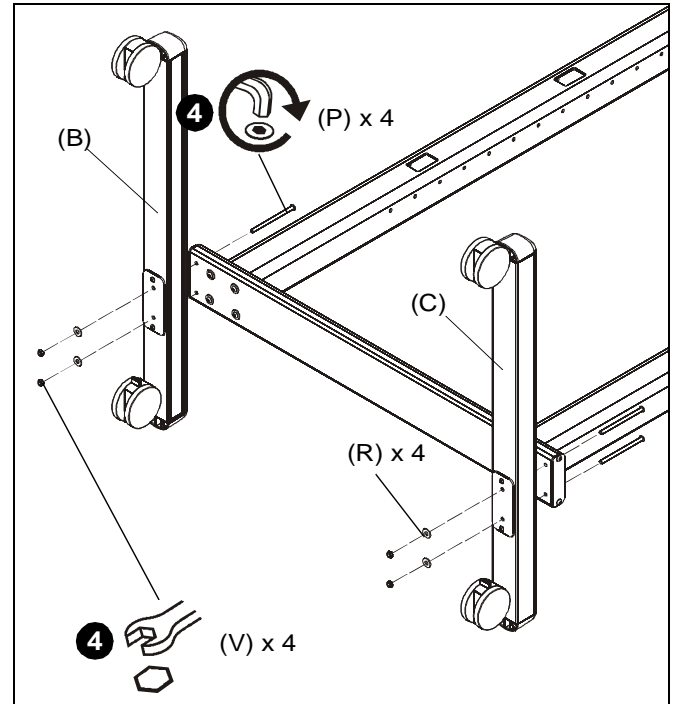


Figure 2

Rails Installation

1. Place clamp brackets (P) on columns with the top hole on the brackets lined up with the top holes on the columns. (See Figure 3)

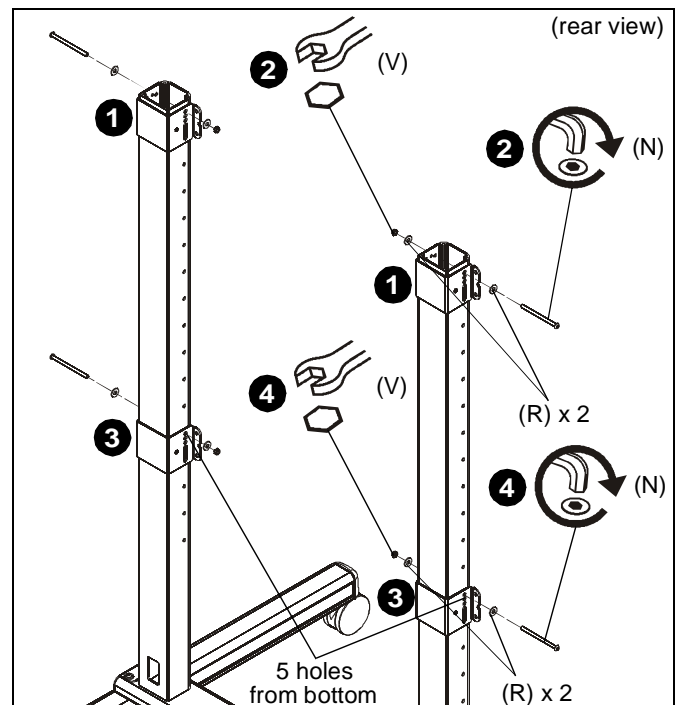


Figure 3

2. Use 5/16-18 x 4 1/2" button head cap screw (N), two 5/16" washers (R) and 5/16-18" lock nut (V) to secure each clamp bracket (G) to column. (See Figure 3)

- Place clamp brackets (G) on columns with the top hole on the brackets lined up with the fifth holes from the bottom of the columns. (See Figure 3)

IMPORTANT ! : The upper and lower clamp brackets (G) must be installed exactly 36" apart in order for the uprights to fit correctly.

- Use 5/16-18 x 4 1/2" button head cap screw (N), two 5/16" washers (R) and 5/16-18" lock nut (V) to secure each clamp bracket (G) to column. (See Figure 3)
- Use four 5/16-18 x 3/4" button head flange screws (Q) to secure each attached clamp bracket (G) to a quick connect base (H). (See Figure 4)

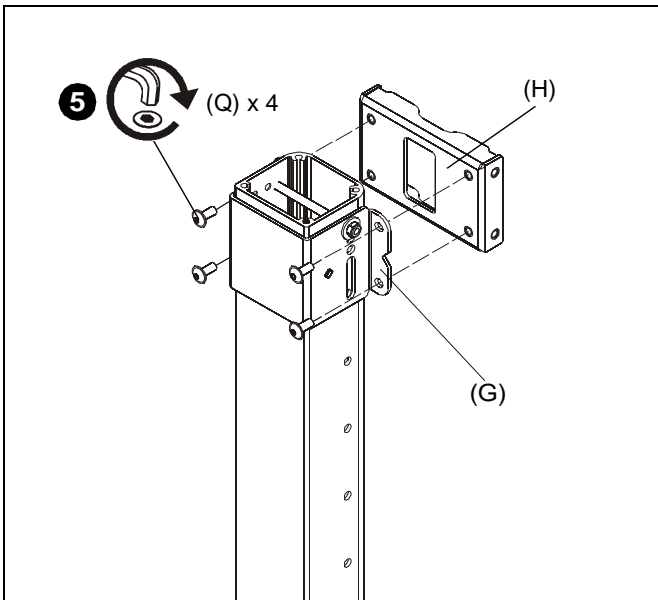


Figure 4

- Install two 5/16-18 x 3/4" button head flange screws (Q) into the top holes on each quick connect base (H). (See Figure 5)

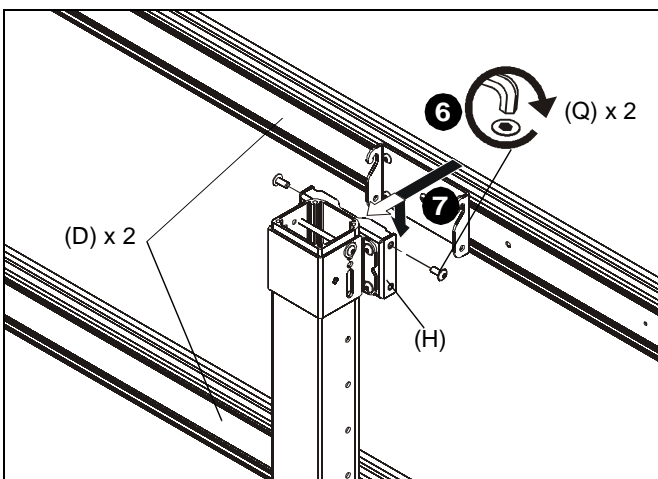


Figure 5

- Hang rails (D) into screws installed in previous step to quick connect bases (H). (See Figure 5)

- Install two 5/16-18 x 3/4" button head flange screws (Q) into the lower holes on each quick connect base (H) to secure rails (D) to quick connect bases. (See Figure 6)
- Tighten all 5/16-18 x 3/4" button head flange screws (Q).

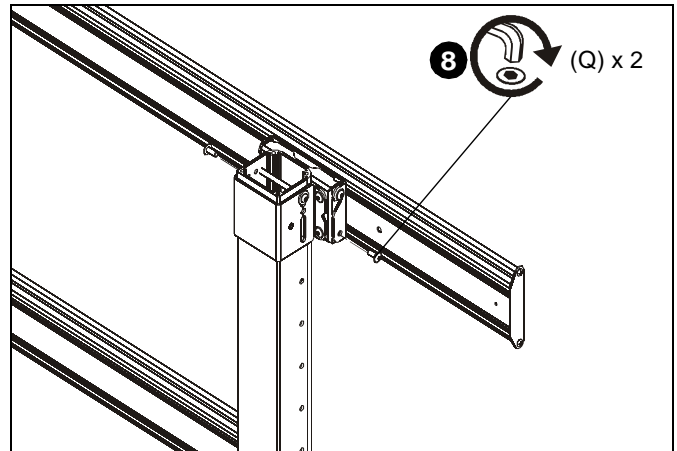


Figure 6

Display Installation

- Place display face down on a soft, non-abrasive surface.

NOTE: For best access, route display cables through columns prior to display installation. See Cable Management section for details.



CAUTION: Using screws of improper size may damage your display! Only use hardware provided to mount display.

- Use M16 x 90mm socket head cap screws (Y) and spacers (AA) to connect interface brackets (L) to back of display. (See Figure 7)

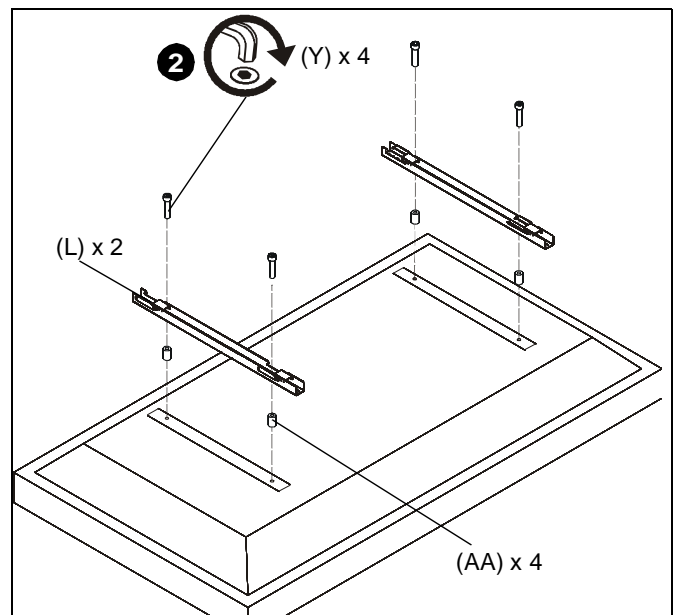


Figure 7

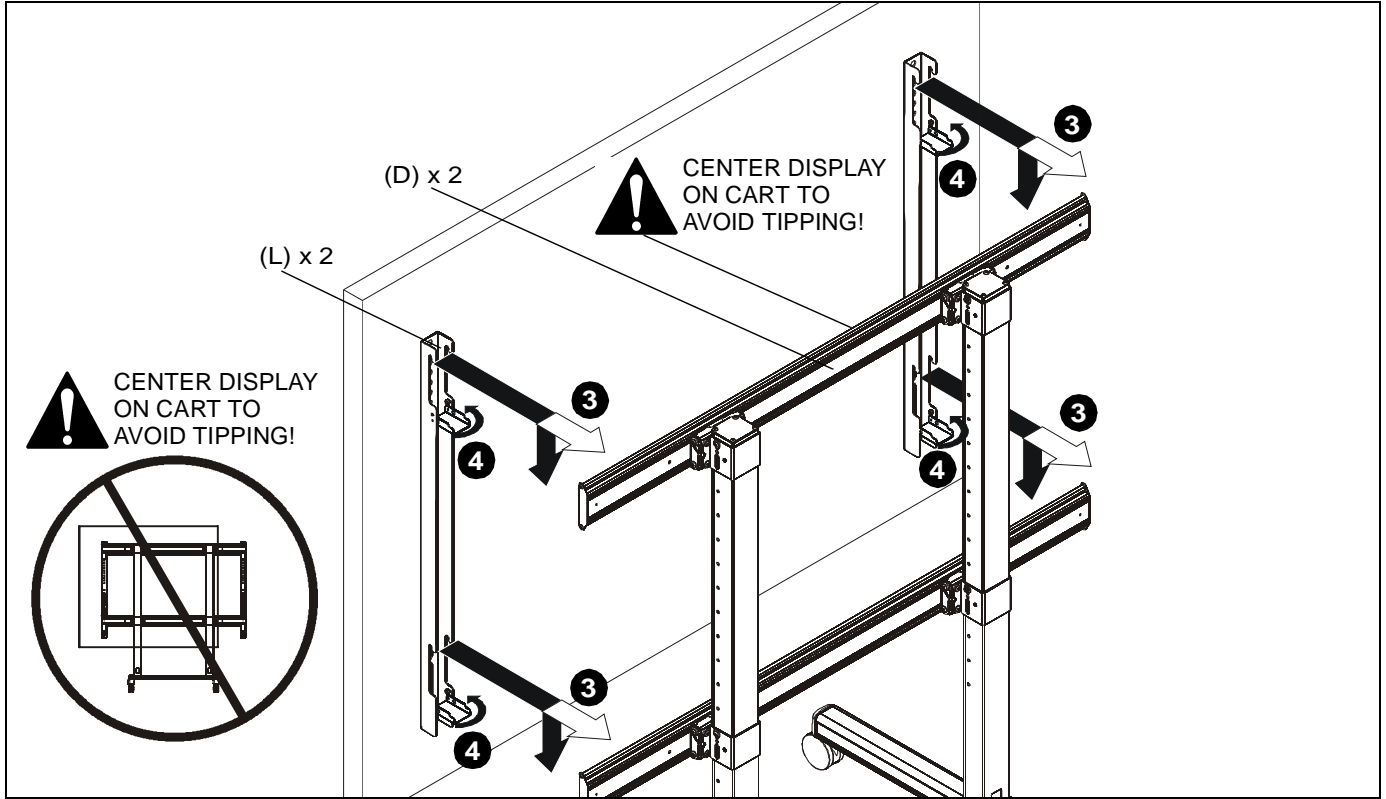


Figure 8

WARNING: Exceeding the weight capacity can result in serious personal injury or damage to equipment! It is the installer's responsibility to make sure the combined weight of display and attached accessories mounted to the XVM1X1U mount does not exceed 500 lbs (226.8 kg).

WARNING: DISPLAY MAY WEIGH IN EXCESS OF 40 LBS! Always use two people and proper lifting techniques when installing or positioning display on cart!

3. Hang interface brackets (L) to center of mounting rails (D). (See Figure 8)

WARNING: FAILING TO CENTER DISPLAY ON XVM1X1U CART MAY CAUSE THE MOUNT TO TIP OVER WHICH COULD RESULT IN SERIOUS PERSONAL INJURY OR DAMAGE TO EQUIPMENT! Always install display onto the center of the cart!

4. Lift locking brackets on interface brackets (L) up to the back of mounting rails (D). (See Figure 8)
5. Use four 5/16-18 x 2 1/2" button head cap screws (Z) to secure interface brackets (L) to rails. (See Figure 9)

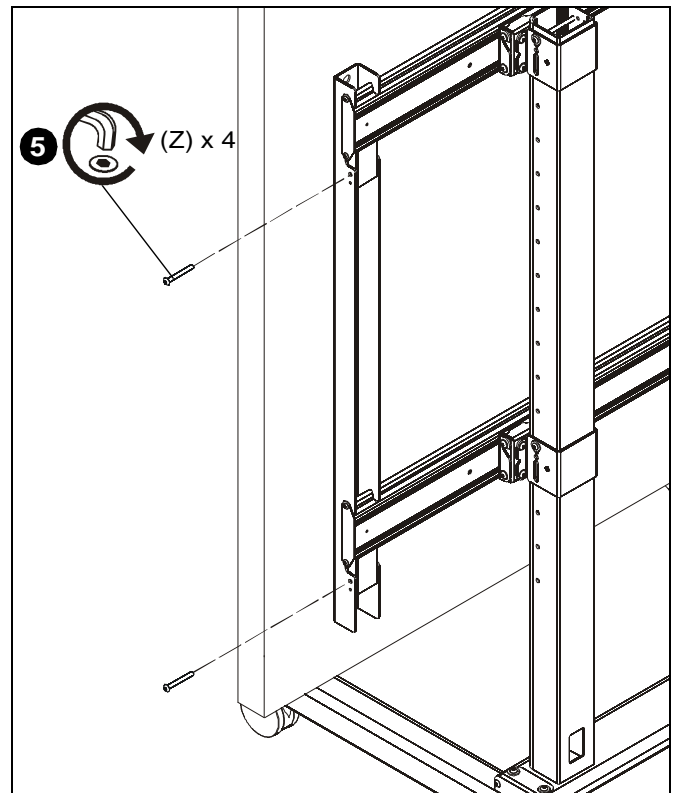


Figure 9

Column Cap Installation

1. Use four 5/16-18 x 1/2" button head cap screws (T) to install each column cap (F) to each column. (See Figure 10)

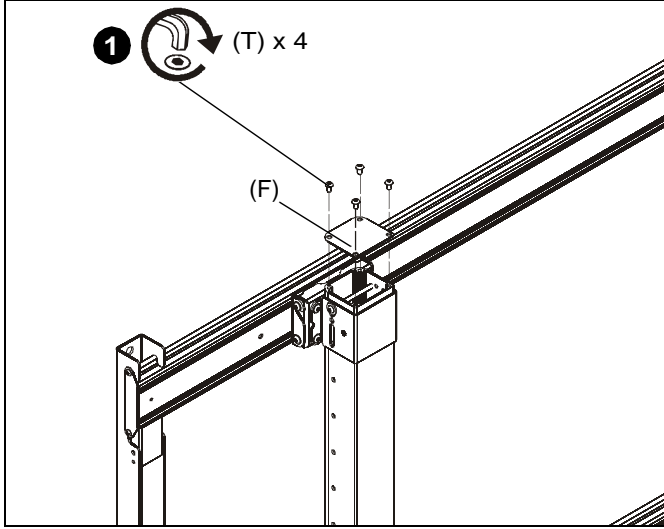


Figure 10

Cable Management

1. Route cables from displays through nearest holes on front of columns and out through back cable management hole. (See Figure 11)

NOTE: For best access, route display cables through columns prior to display installation. See Cable Management section for details.

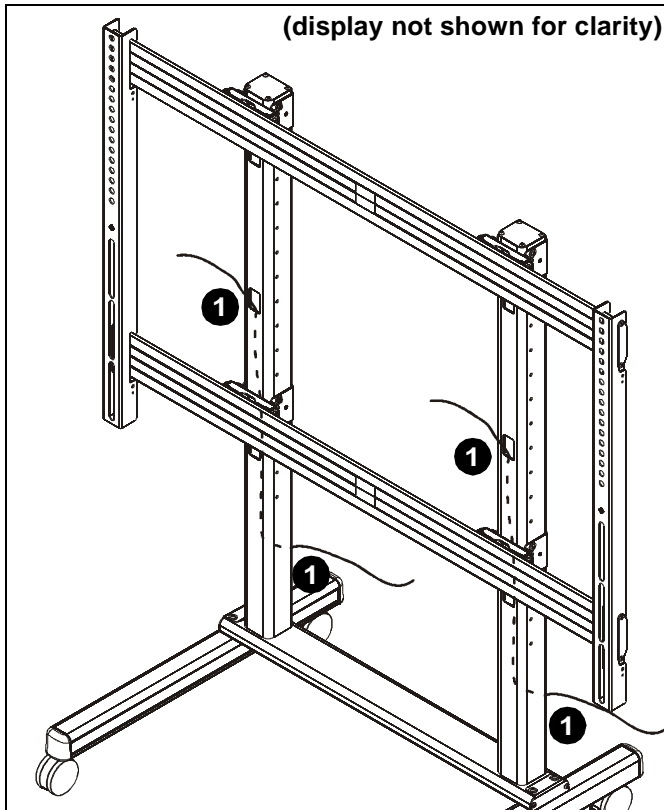


Figure 11

2. For any cable management holes that are not used, snap covers (X) may be used to cover holes as desired. (See Figure 12)

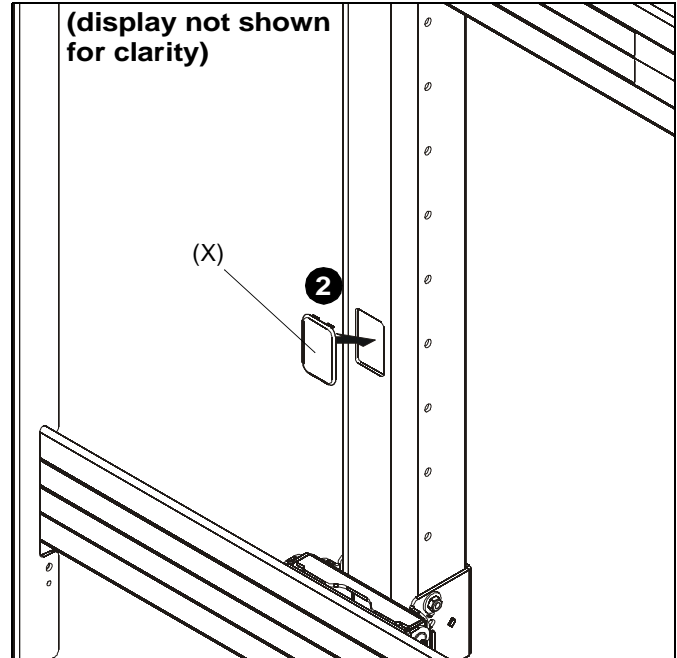


Figure 12



Our Mounts. **Your Vision.**

Chief Manufacturing, a products division
of Milestone AV Technologies

8800-002255 Rev01

©2012 Milestone AV Technologies, a

Duchossois Group Company

www.chiefmfg.com

11/12

USA/International	A 6436 City West Parkway, Eden Prairie, MN 55344
	P 800.582.6480 / 952.225.6000
	F 877.894.6918 / 952.894.6918
Europe	A Franklinstraat 14, 6003 DK Weert, Netherlands
	P +31 (0) 495 580 852
	F +31 (0) 495 580 845
Asia Pacific	A Office No. 1 on 12/F, Shatin Galleria 18-24 Shan Mei Street Fotan, Shatin, Hong Kong
	P 852 2145 4099
	F 852 2145 4477

