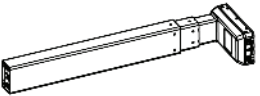


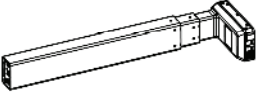


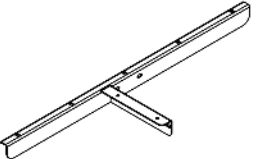


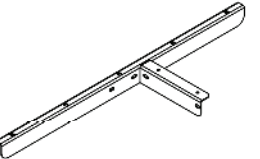





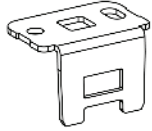


PARTS LIST

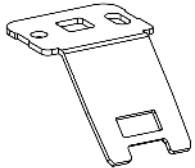
<p>A SXL Actuator - Primary R013 3xx-1 1x</p> 	<p>F Flex Crossbar - Right R063 389 1x</p> 	<p>K M6 Flange Head Nut R011 172 4x</p> 
<p>B SXL Actuator - Secondary R013 3xx 1x</p> 	<p>G Flex Crossbar - Center R063 388 1x</p> 	<p>L Ø5 x 20mm Wood Screw R011 530 23x</p> 
<p>C Sidebar - Left R063 517 1x</p> 	<p>H Foot Entry 548mm - T-Model R063 391 2x</p> 	<p>M Wrench 4mm R011 921 1x</p> 
<p>D Sidebar - Right R063 507 1x</p> 	<p>I Glider RM-175 4x</p> 	<p>N Ø4 x 16mm PH Wood Screw R011 500 12x</p> 
<p>E Flex Crossbar - Left R063 390 1x</p> 	<p>J M6 x 12 Flange Head Bolt R011 074 32x</p> 	<p>O Cable Clip R010 230 10x</p> 

PARTS LIST

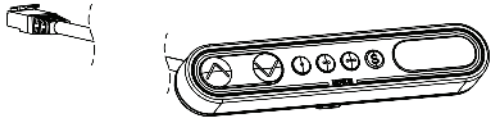
P Switch Bracket 90° 1x
RM-405-5



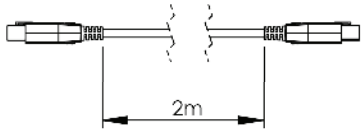
Q Switch Bracket 45° 1x
RM-405-3



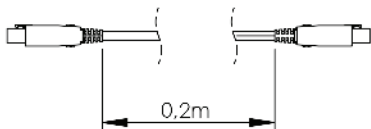
R Switch DPF1C 1x
RM-404-9



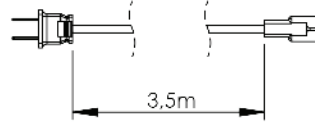
S Motor Cable (2m) 1x
RM-401-2



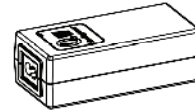
T DC Cable (0,2m) 1x
R013 342



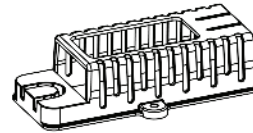
U Power Cable (3,5m) 1x
R013 346



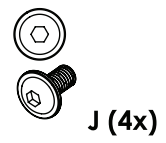
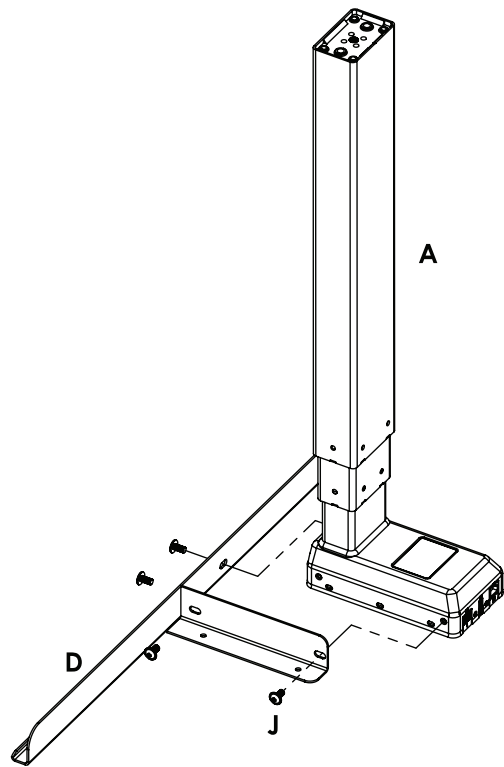
V Power Supply 1x
R013 339



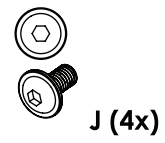
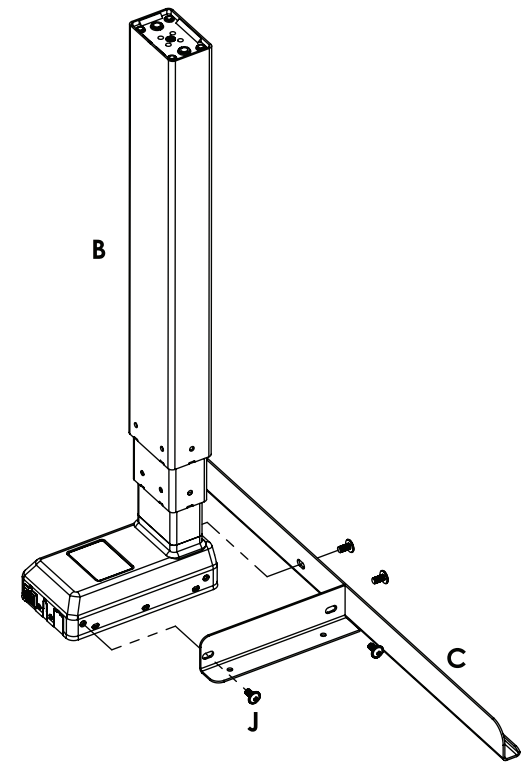
W Mounting Bracket f. Power Supply 1x
R013 339-1



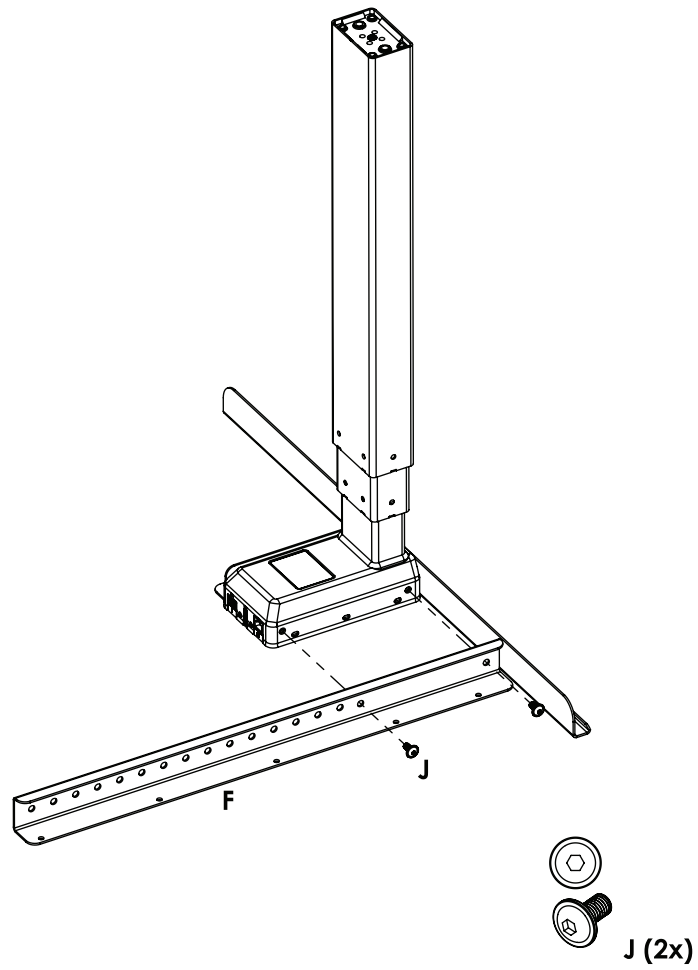
1



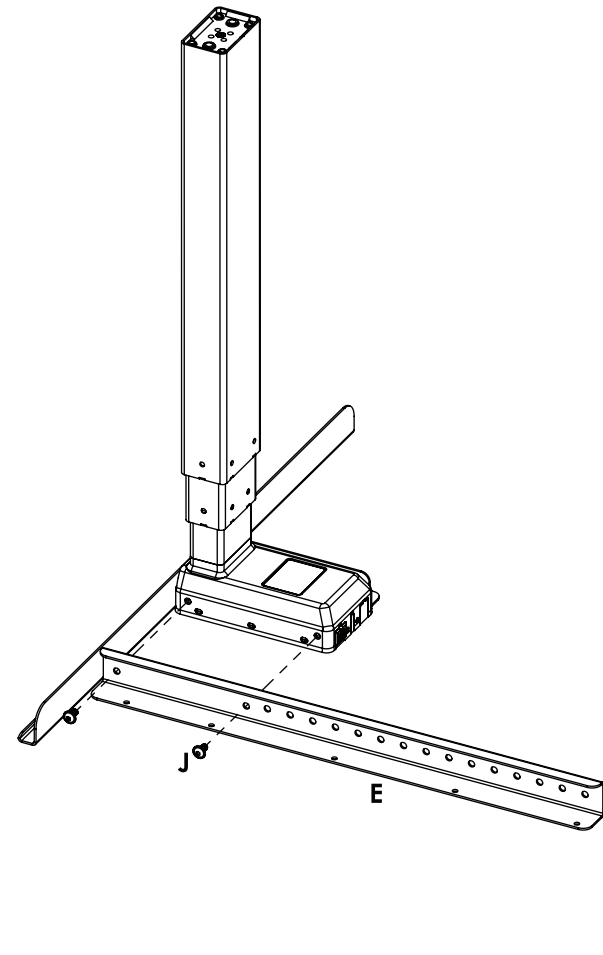
2



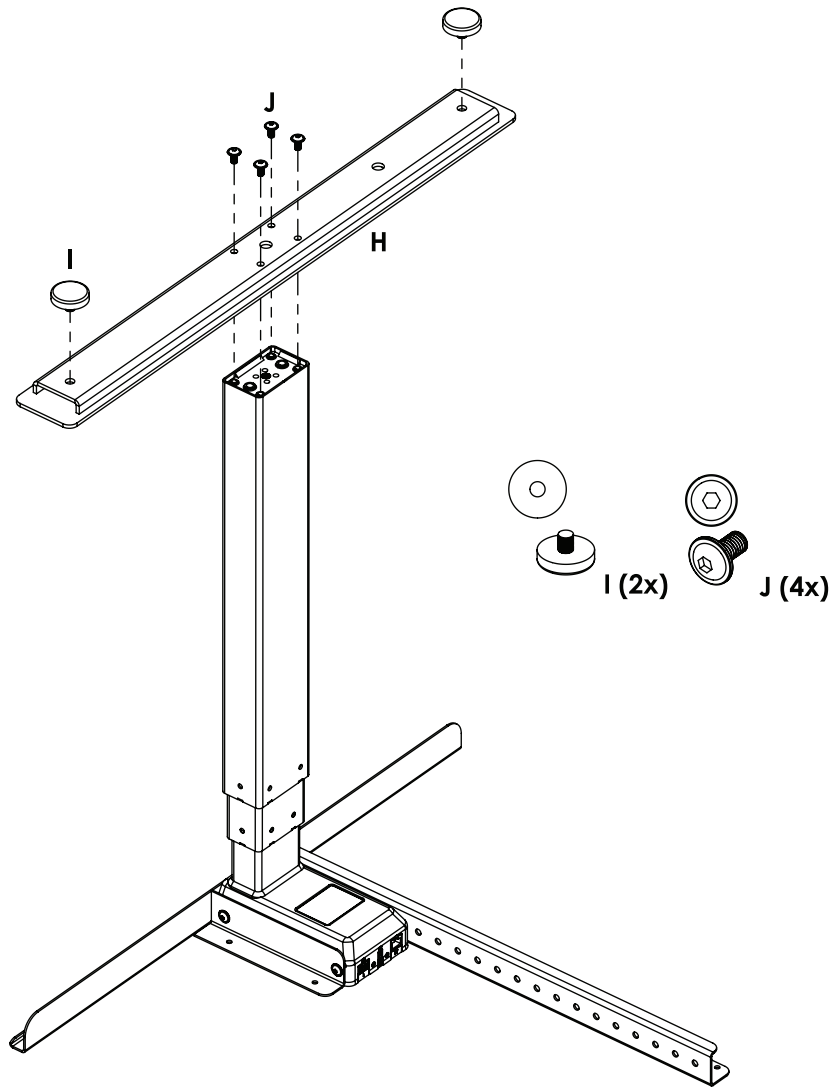
3



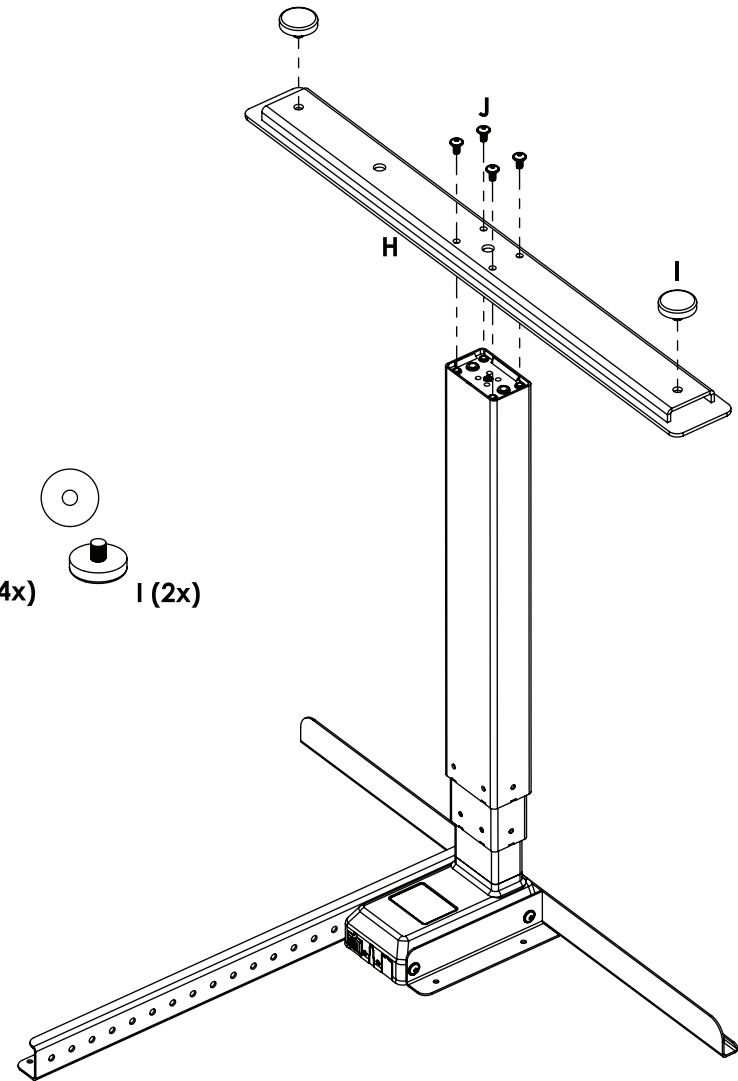
4

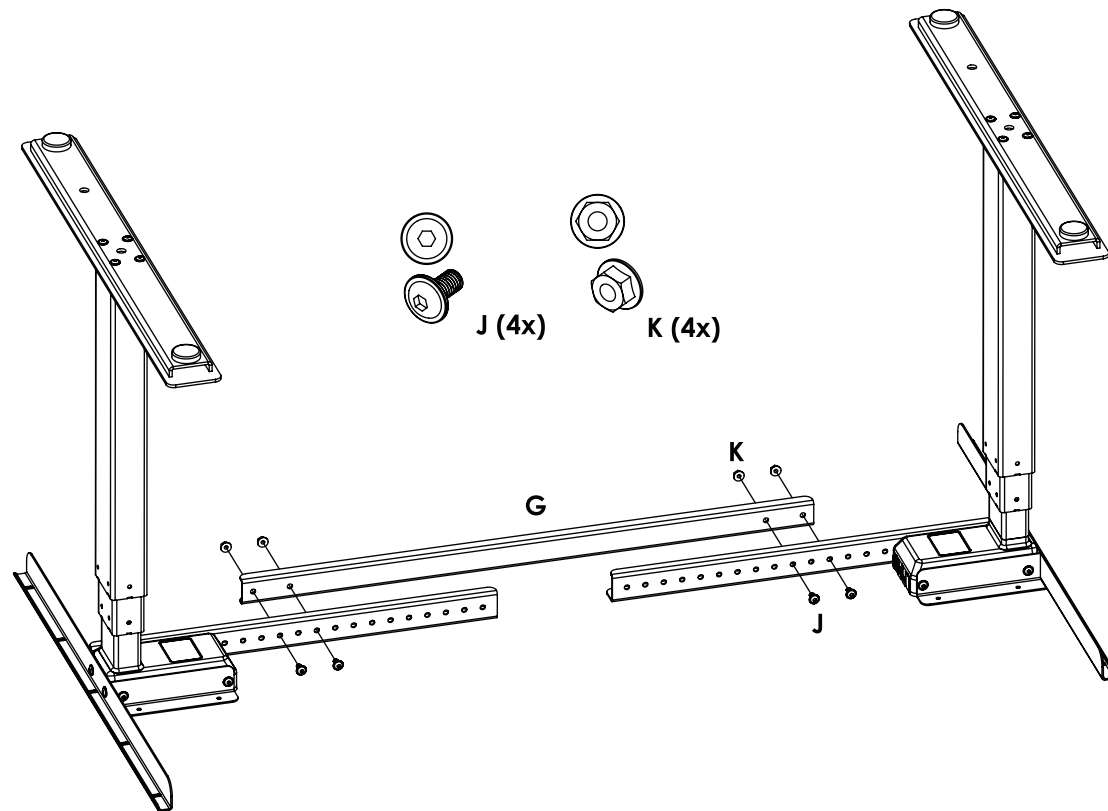


5

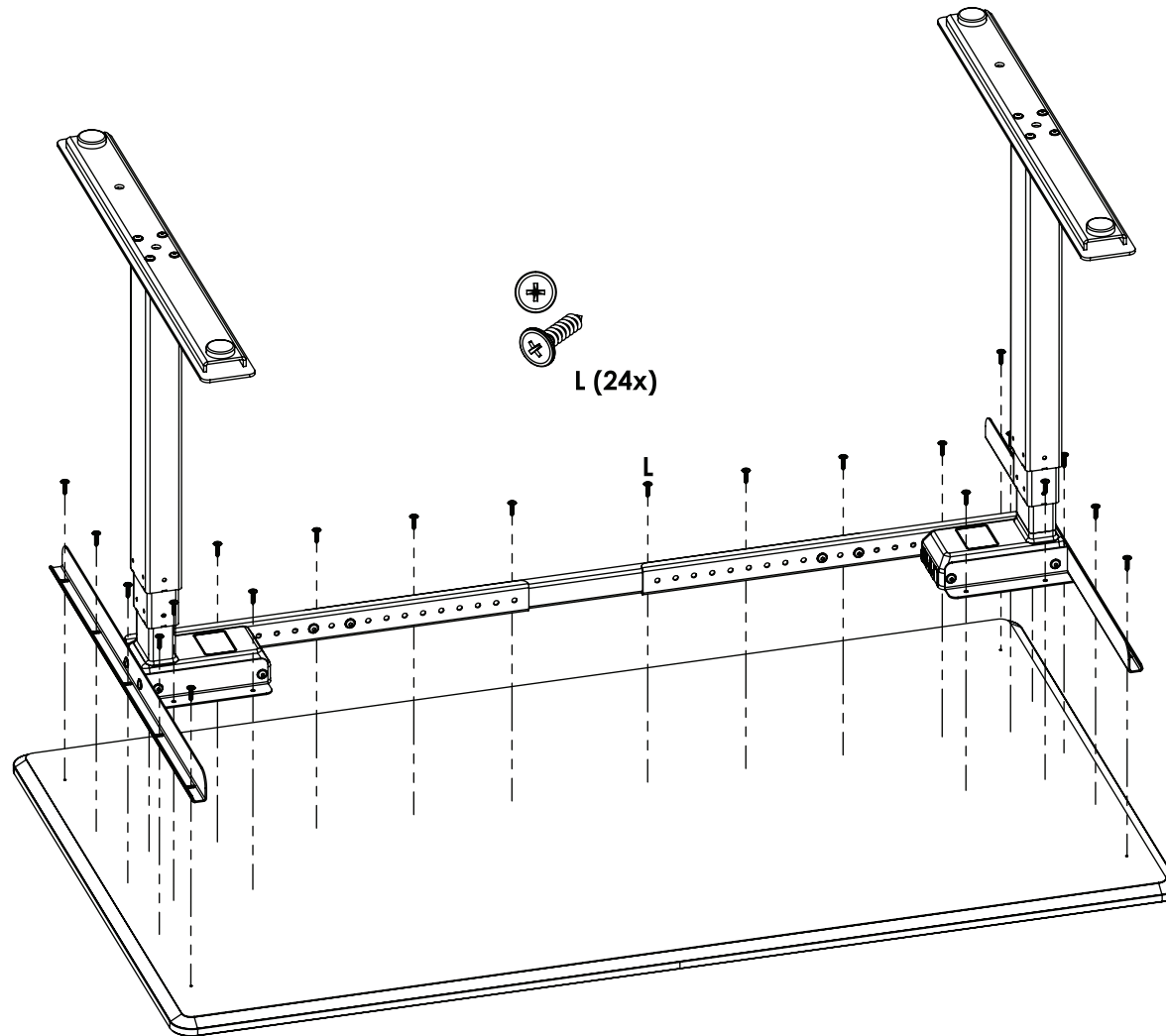


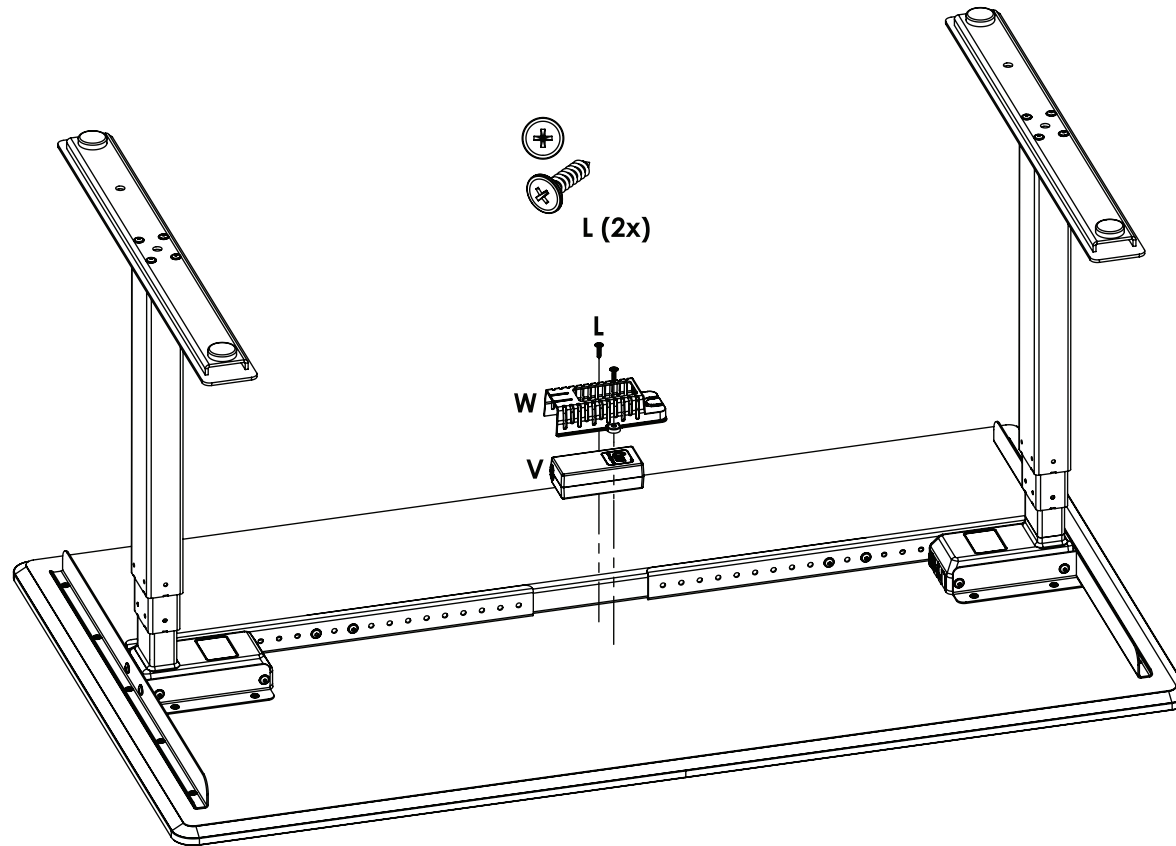
6



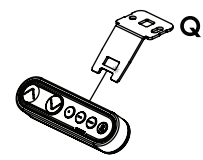


NOTE: For crossbar increments see page 14

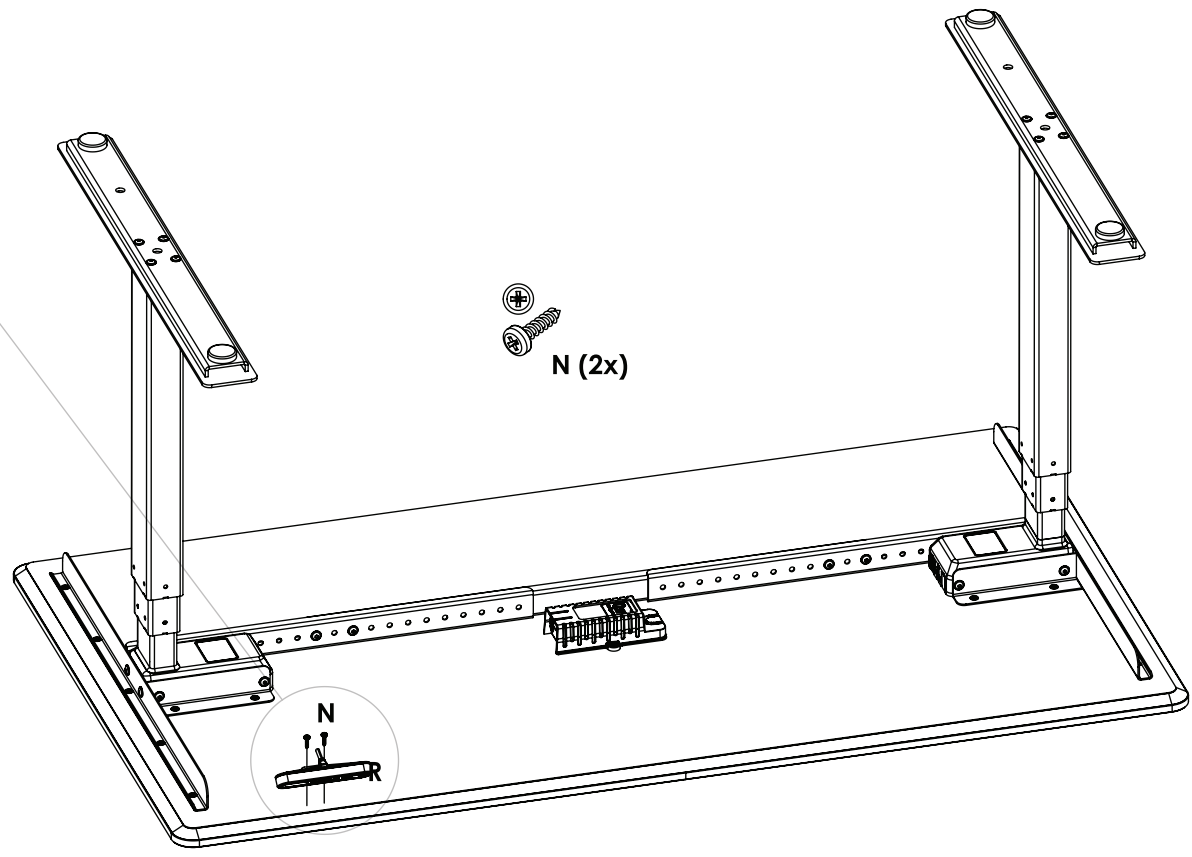
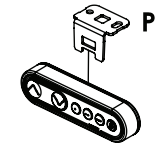


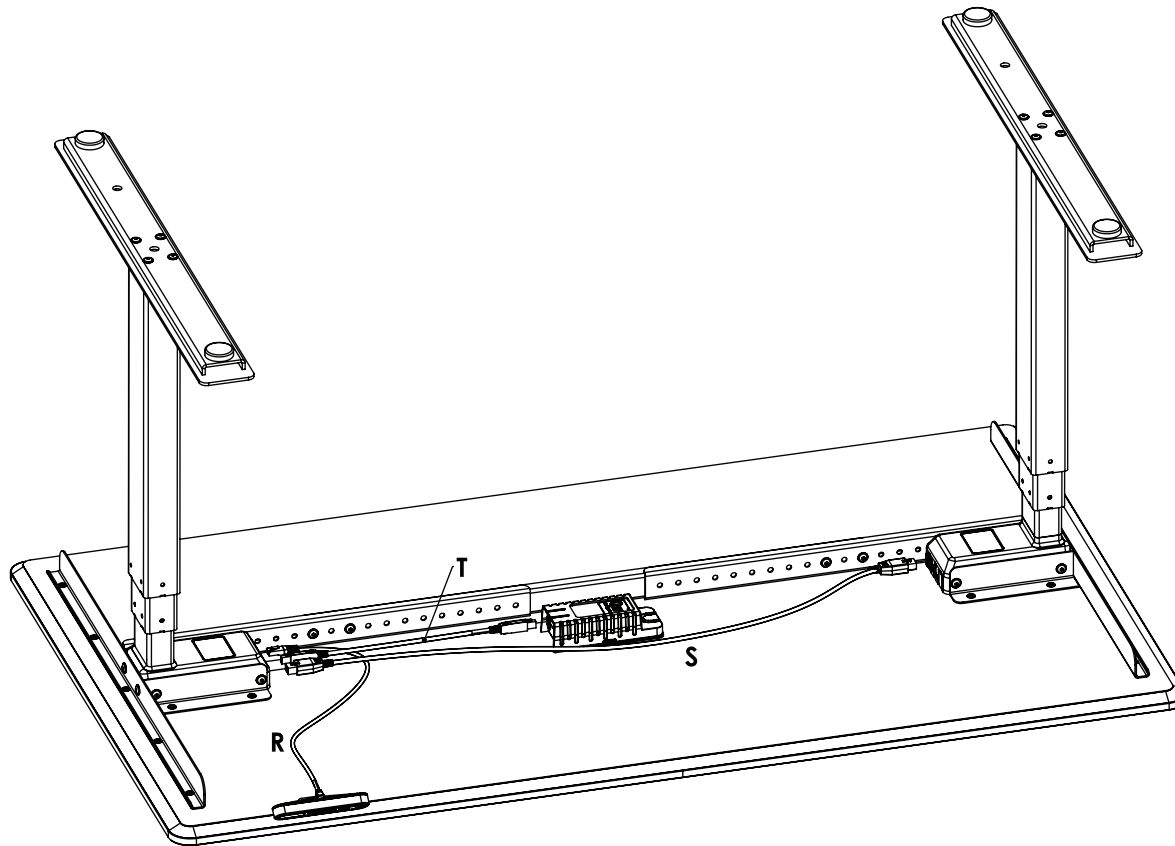


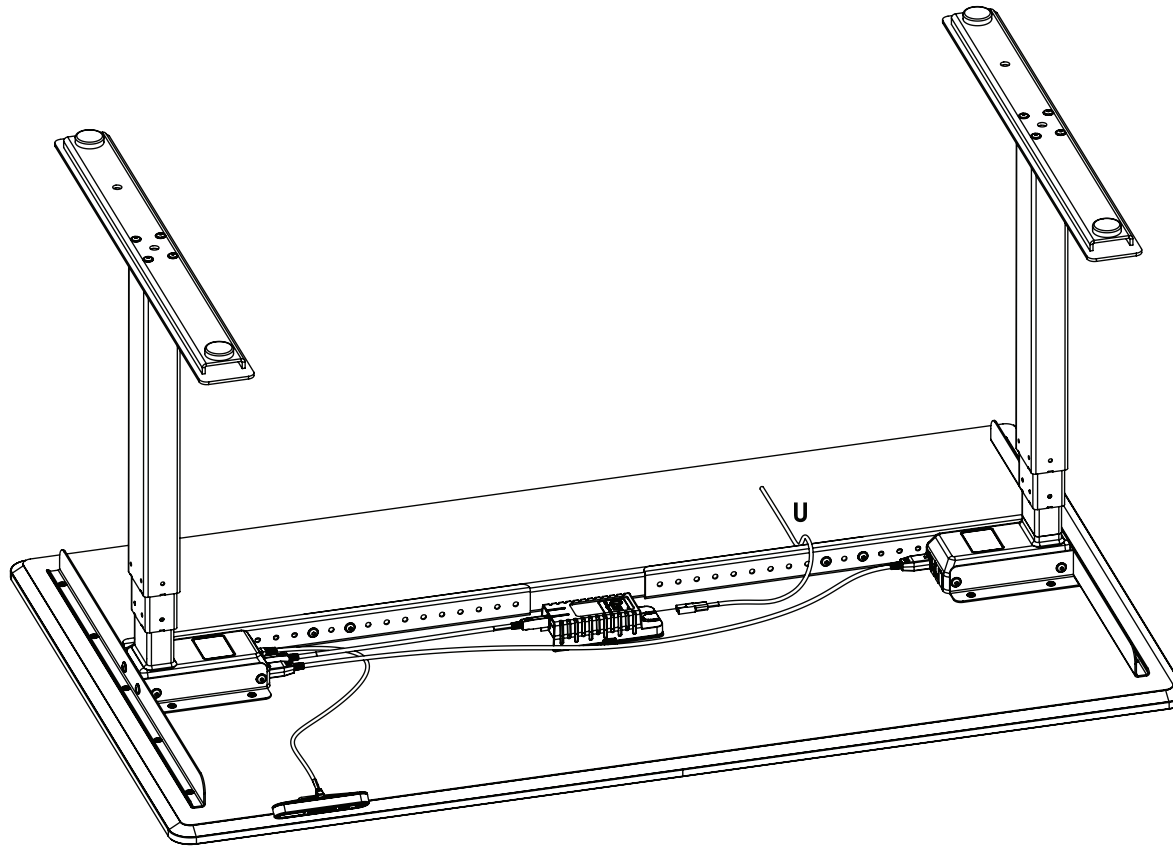
For 45° Mount



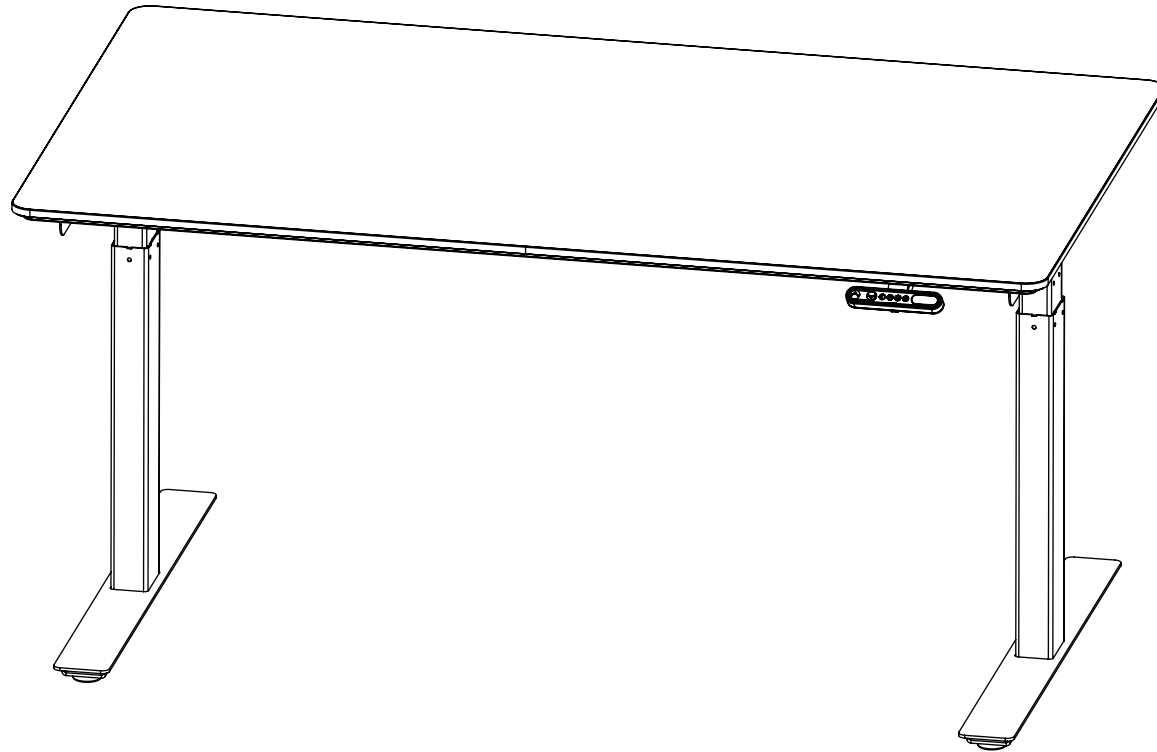
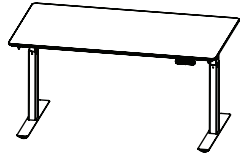
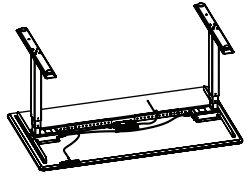
For 90° Mount







CAUTION: Have the power turned off until all cables are connected



Crossbar Increments

