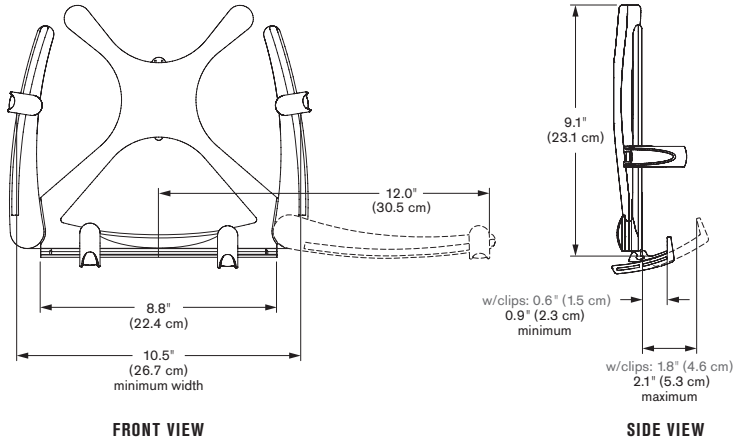


Model 7050-Switch

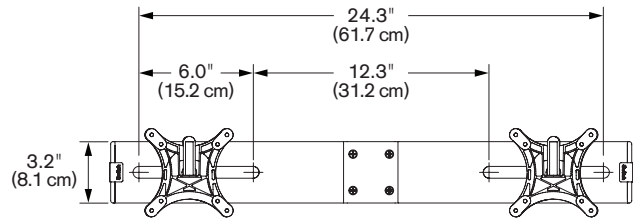
Specifications



LAPTOP HOLDER



WING BRACKET



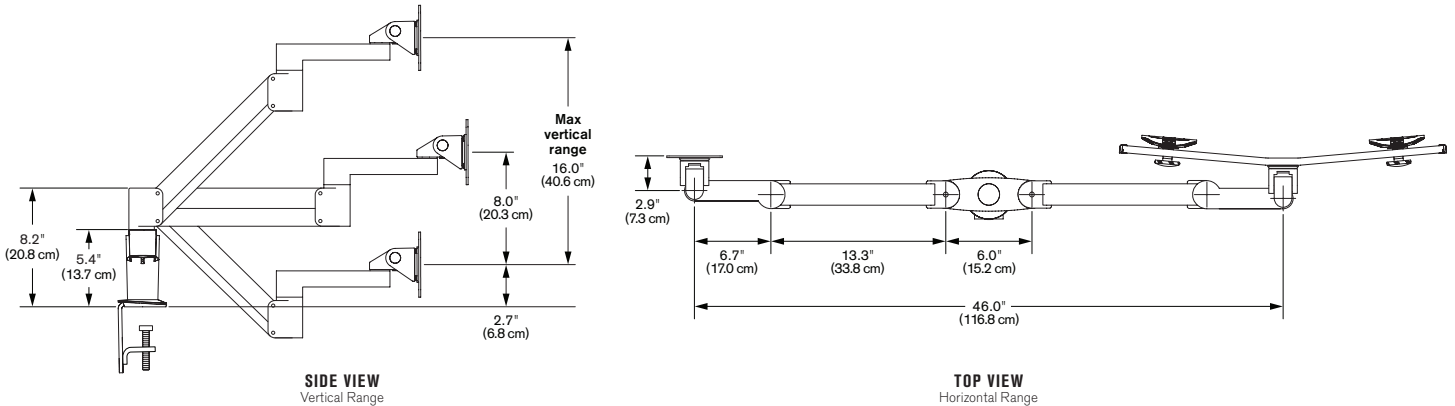
Max monitor width* 23" (58.4 cm)** per monitor

* Monitor width is measured from end to end of the monitor as shown here:

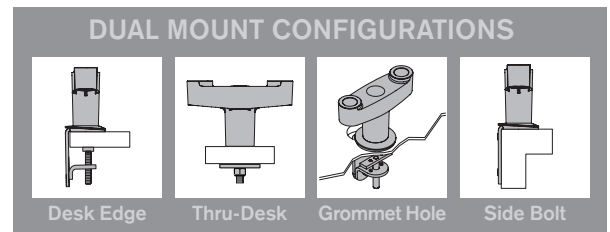
** This measurement is based on a monitor depth of 2.5" (6.3 cm).

The depth of the monitor will have a slight effect on the overall max dimension.

ARMS



- Vertical range** +/- 8.0" (20.3 cm) from horizontal
- Horizontal range, per arm** 24.0" (61.0 cm)
- Rotation** 360 degrees at three joints
- Monitor tilt** 200 degrees
- Monitor pivot** Landscape to portrait
- Monitor compatibility** VESA® 75mm and 100mm
- Cable management** Cables are clipped beneath arm
- Mounting options** Desk Edge, Grommet, Thru-Desk, Side Bolt
- Tablet weight** 1 - 14 lbs (0.5 - 6.4 kg)
- Monitor weight & model number** 3.5 - 13 lbs (1.6 - 5.9 kg), 7050-SWITCH-1000-500HY



Phone: 800.524.2744 | Fax: 610.253.9521 | E-mail: sales@LCDarms.com | Web: www.LCDarms.com