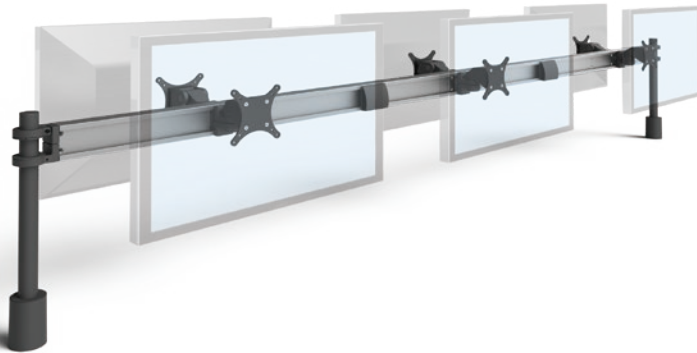
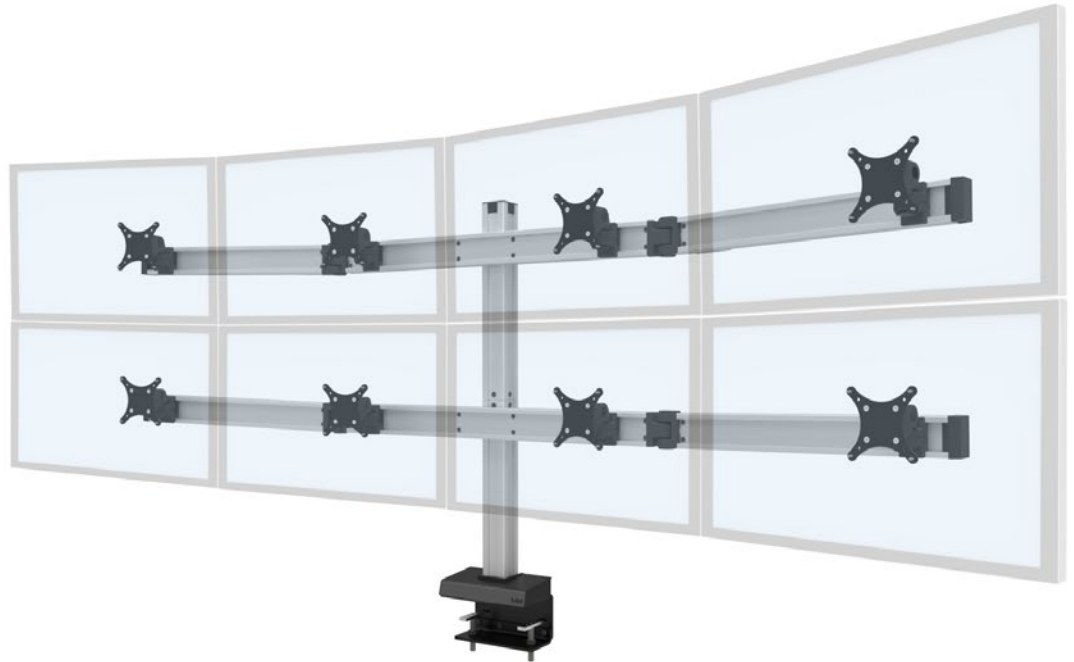




**BILD®**

Introducing Bild®—a highly configurable solution for multi-monitor applications. With **endless configurations**, Bild® enables the user to build, adjust and adapt with ease for their specific application.

Bild® is also in a highly flexible pole mount configuration. Please contact your sales representative for details about this mounting option.



BILD® MULTI-MONITOR SYSTEM

## FEATURES

- Create your angle. Position monitors flat or in an arch with easy to adjust hinges.
- Fine tune for your workstyle. Loosen and tighten pivot points to the desired rigidity using the tools included. Stored in the beam end cap, they are never out of reach.
- Quick, easy monitor install. Take the work out of adjusting and replacing monitors. Simply attach, adjust, and remove all at the face of the beam. No need to slide monitors to remove.
- Mounting options: desk clamp, thru-desk and rail.
- Cable management. Cable clips in the column and beam keep cables organized and out of the way.

## TOP BILD CONFIGURATIONS

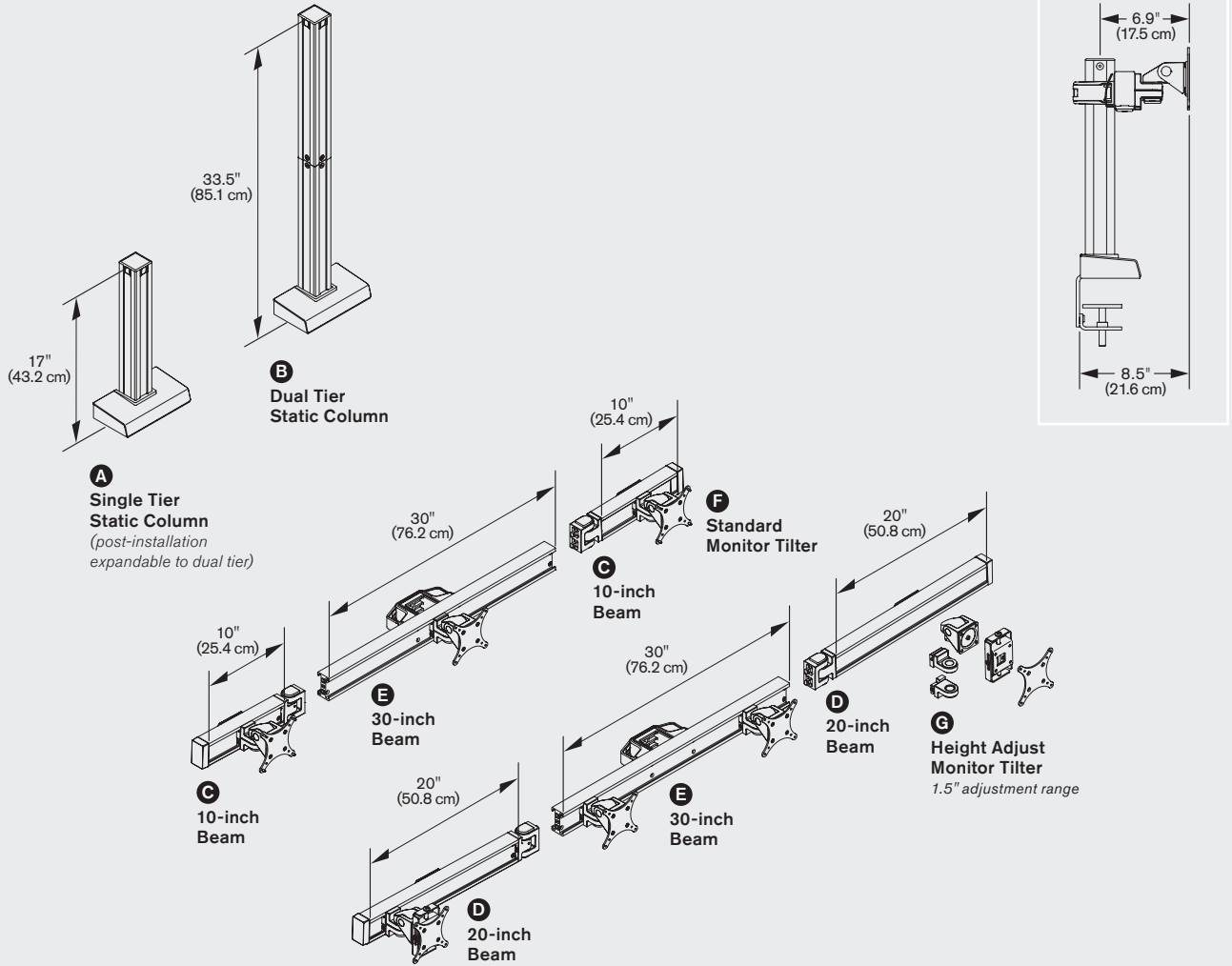
<b>BILD-2</b>	Supports up to 30 lbs (13.6 kg) per monitor
<b>BILD-3</b>	Supports up to 30 lbs (13.6 kg) per monitor
<b>BILD-4</b>	Supports up to 30 lbs (13.6 kg) per monitor
<b>BILD-2/2</b>	Supports up to 30 lbs (13.6 kg) per monitor
<b>BILD-3/3</b>	Supports up to 30 lbs (13.6 kg) per monitor
<b>BILD-4/4</b>	Supports up to 30 lbs (13.6 kg) per monitor

## FINISHES

SILVER | color code: **124**

VISTA BLACK | color code: **104**

## CAPABILITIES



MODEL	COLUMN (A, B)	10-INCH BEAM (C)	20-INCH BEAM (D)	30-INCH BEAM (E)	STANDARD MONITOR TILTER (F)	HEIGHT ADJUST MONITOR TILTER (G)
Bild Dual	A	—	—	1	2	optional
Bild Triple	A	2	—	1	3	optional
Bild Quad	A	—	2	1	2	2
Bild 2 over 2	B	—	—	2	4	optional
Bild 3 over 3	B	4	—	2	6	optional
Bild 4 over 4	B	—	4	2	4	4

## MOUNTING OPTIONS



**?** Bild® is available in multiple configurations. Call your sales rep for details.