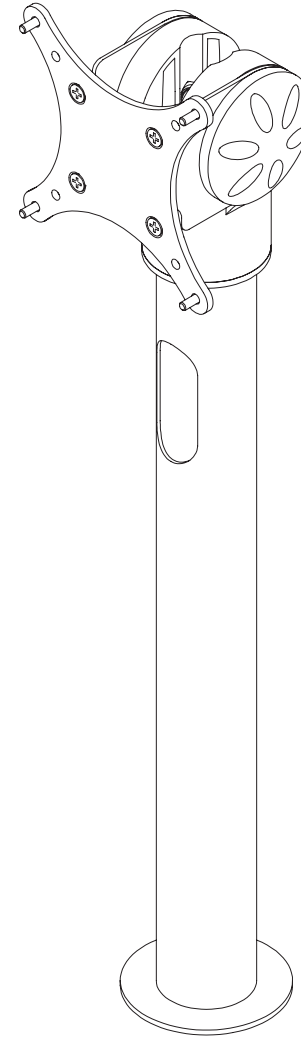
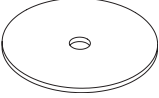

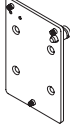
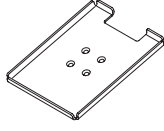


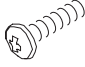
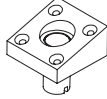
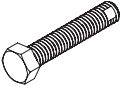
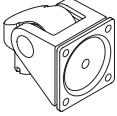

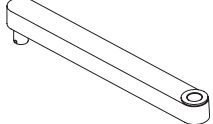
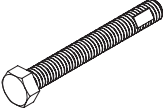
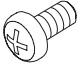


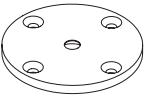
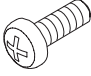

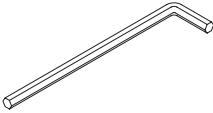
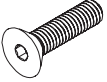
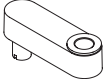
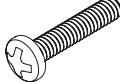

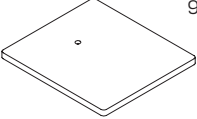
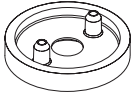
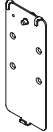
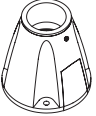

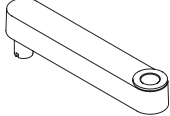
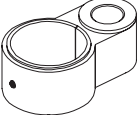




MNPL10-XXT*

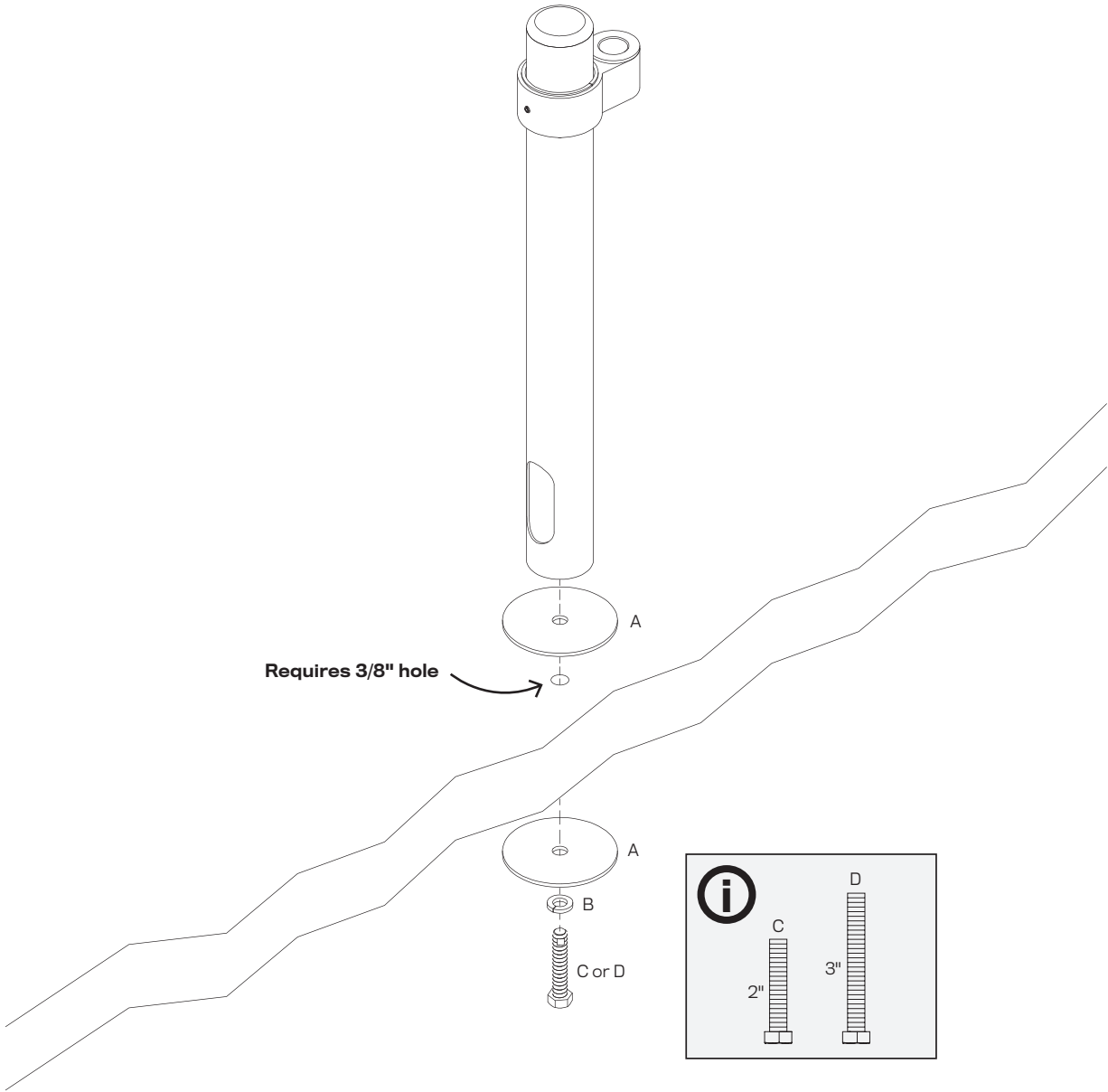


MNPL11-XXT*

PARTS LIST

<p>A  3" Washer 111979</p>	<p>J  10-32 x 3/8" Phillips Pan Head Screw (4-pack) 702281</p>	<p>S  Verifone 915/925 Adapter 111382</p>	<p>BB  Printer Tray 113199</p>
<p>B  3/8" Split Washer 701776</p>	<p>K  75/100 mm VESA Adapter 105587</p>	<p>T  M3-0.5 x 12mm Phillips Pan Head Screw 712129</p>	<p>CC  Non-Tilt Base 113204</p>
<p>C  3/8-16 x 2" Hex Bolt 711988</p>	<p>L  Spring-Assisted Monitor Tilter 407747</p>	<p>U  Cable Clip 713037</p>	<p>DD  12.5" Extension Arm MNEA10-12</p>
<p>D  3/8-16 x 3" Hex Bolt 712851</p>	<p>M  M4 x 8mm Phillips Pan Head Screw (4-pack) 705547</p>	<p>V  8-32 x 3/16" Phillips Pan Head Screw 713038</p>	<p>EE  Large Grommet 113441</p>
<p>E  Top Down Surface Mount 113130</p>	<p>N  M4 x 12mm Phillips Pan Head Screw (4-pack) 702096</p>	<p>W  Verifone 820 Adapter 113201</p>	<p>FF  7/32" Allen Wrench 701127</p>
<p>F  3/8-16 x 1.5" FHSCS 713102</p>	<p>O  4" Extension Arm MNEA10-04</p>	<p>X  M2-0.4 x 10mm 712101</p>	<p>GG  3/32" Allen Wrench 700146</p>
<p>G  9" x 10" Freestanding Base MNMT10-FS9x10</p>	<p>P  Dog Washer 105189</p>	<p>Y  Verifone 520 Adapter 113036</p>	
<p>H  Rocketship Base MNMT10-RS</p>	<p>Q  10-32 x 3/8" FPhMS w/Lock Patch 705198</p>	<p>Z  8.5" Extension Arm MNEA10-08</p>	
<p>I  Mount Yoke 112655</p>	<p>R  POS Tilter 406856</p>	<p>AA  1/4-20 x 1/2" Phillips Flat Head Screw 700987</p>	

1

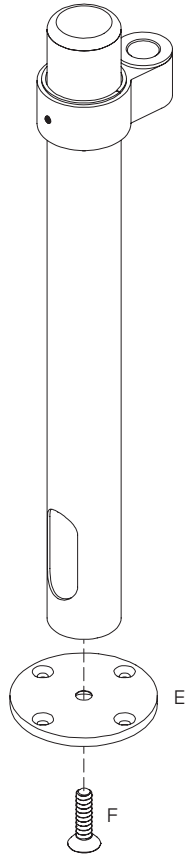


BOLT DOWN BASE

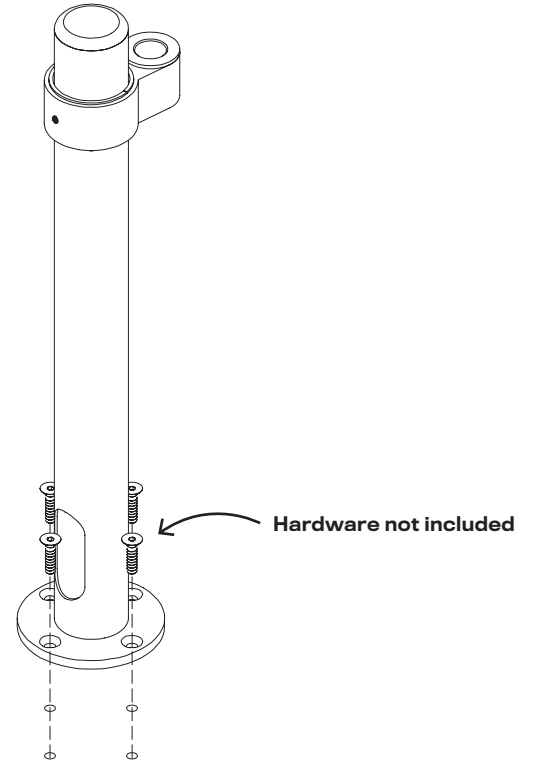
(Optional Accessory)

MNMT10-SM

2



3

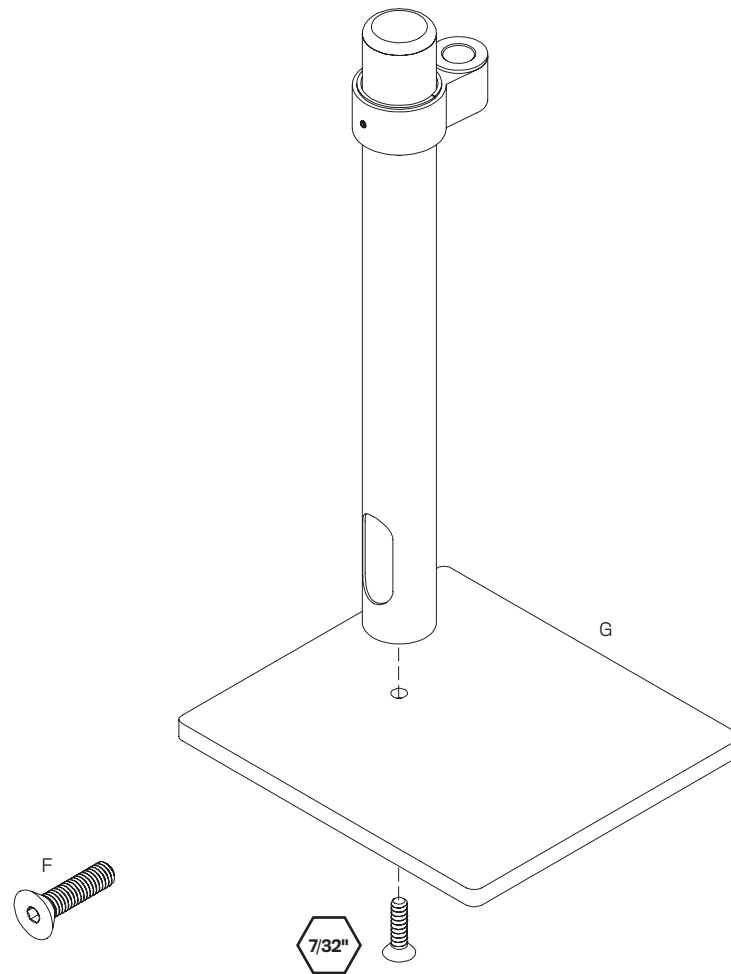


FREESTANDING BASE

(Optional Accessory)

MNMT10-FS9x10

4



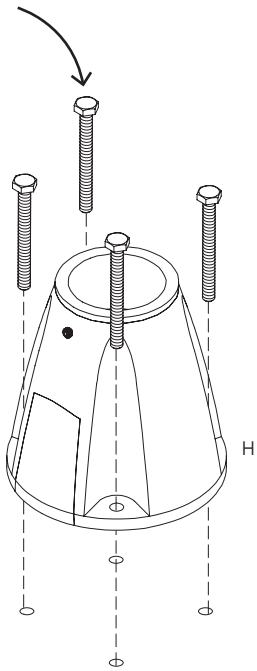
ROCKETSHIP BASE

(Optional Accessory)

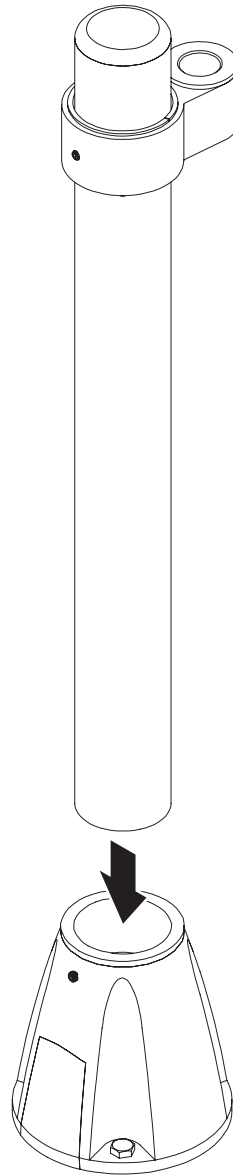
MNMT10-RS

5

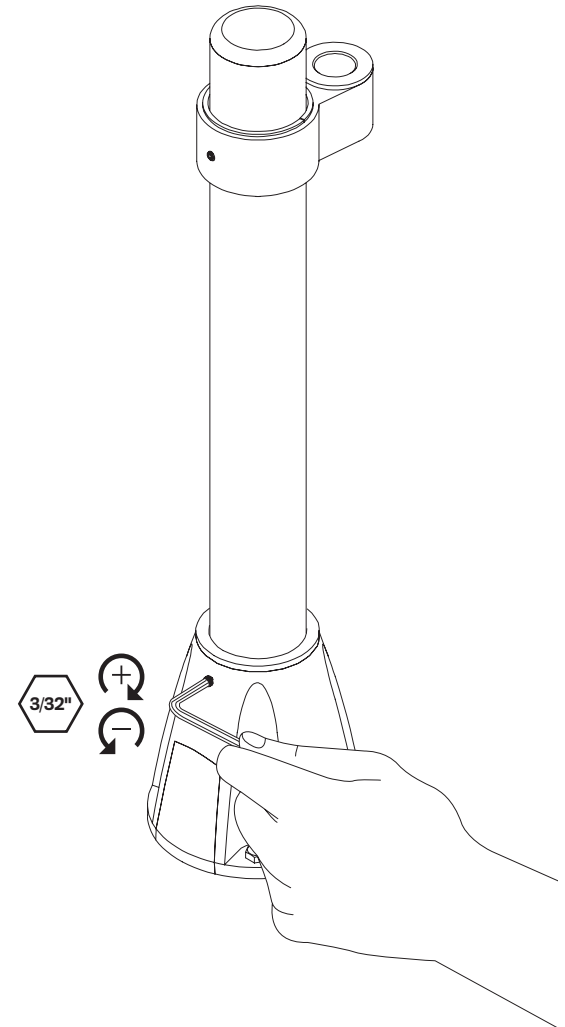
Hardware not included

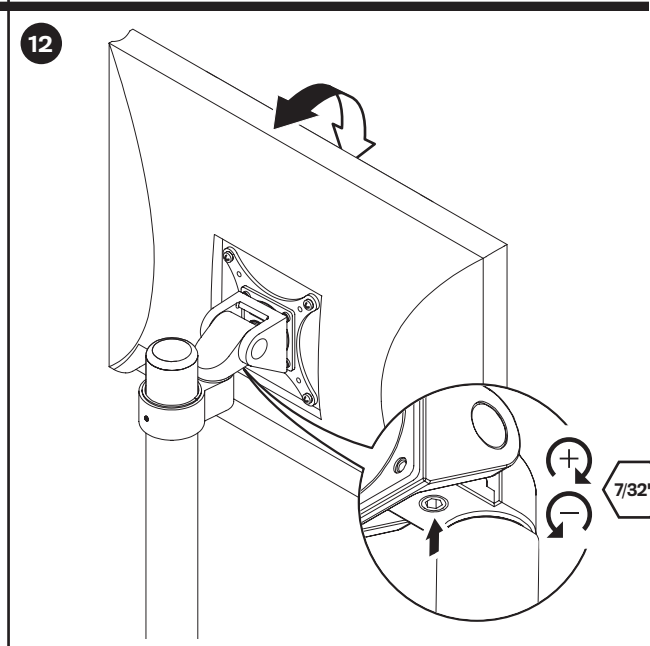
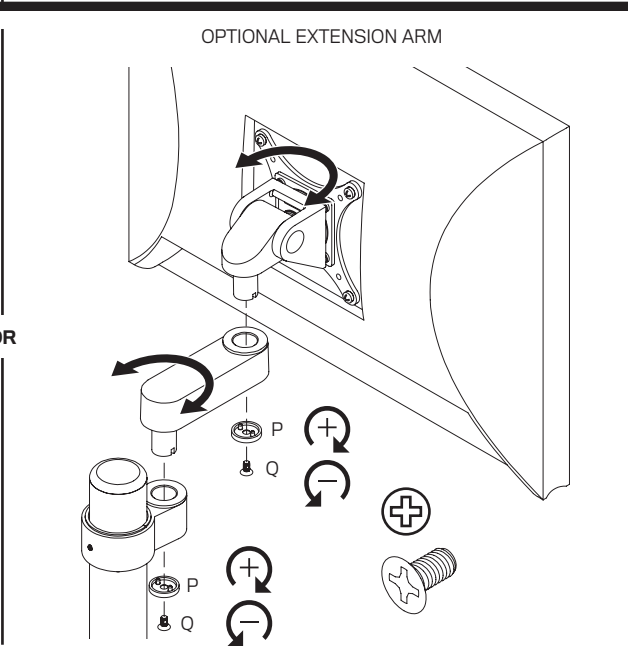
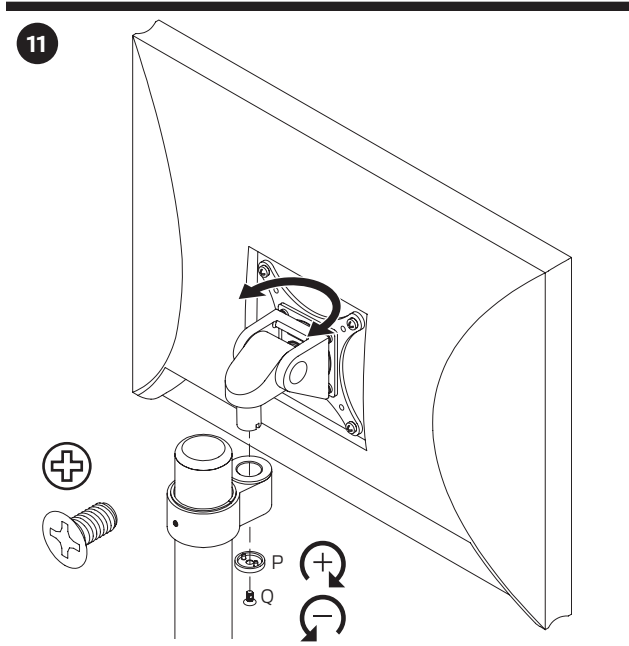
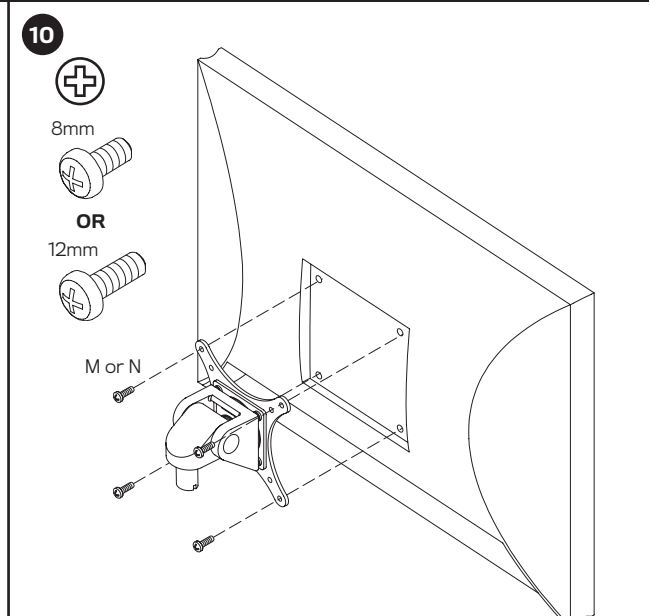
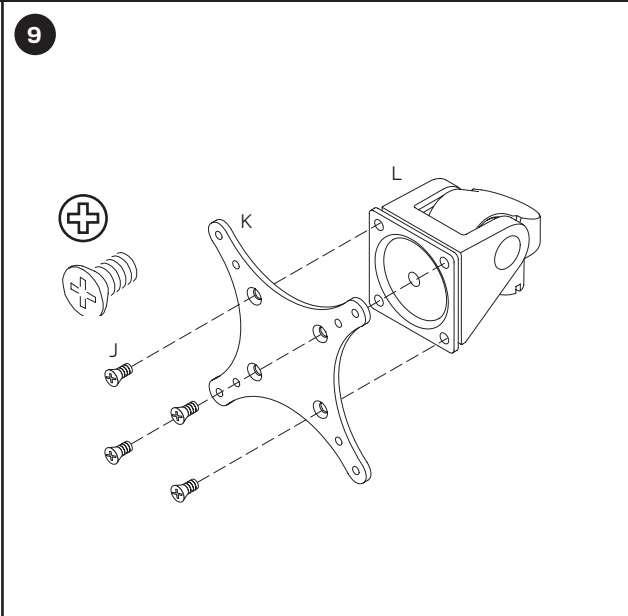
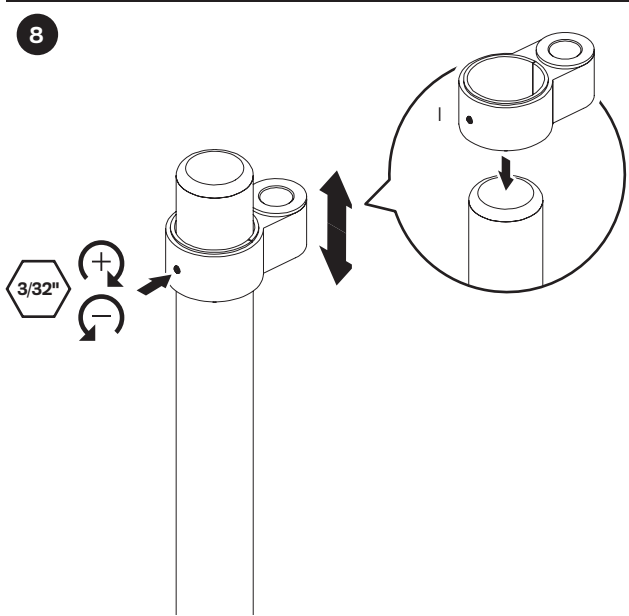


6

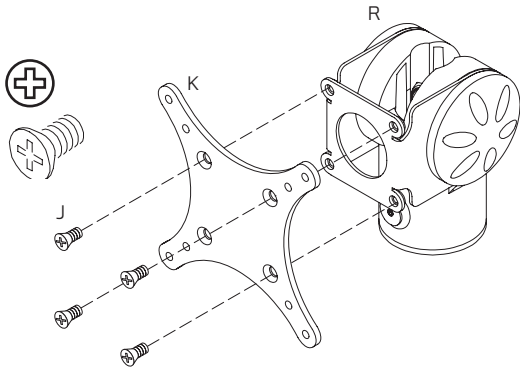


7





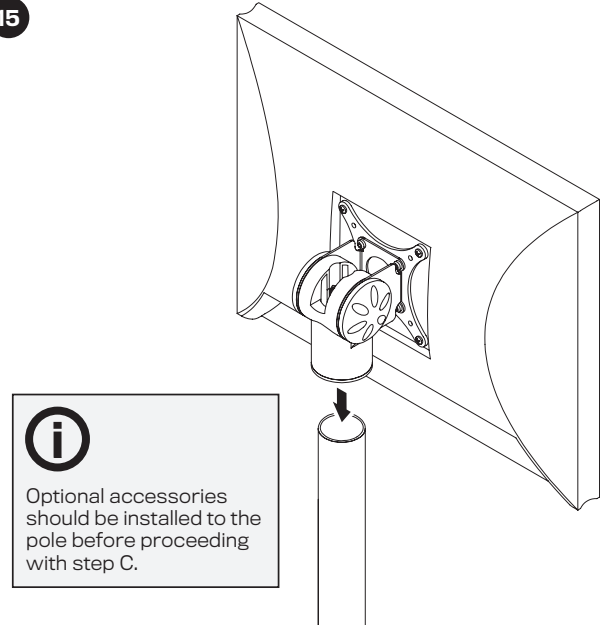
13



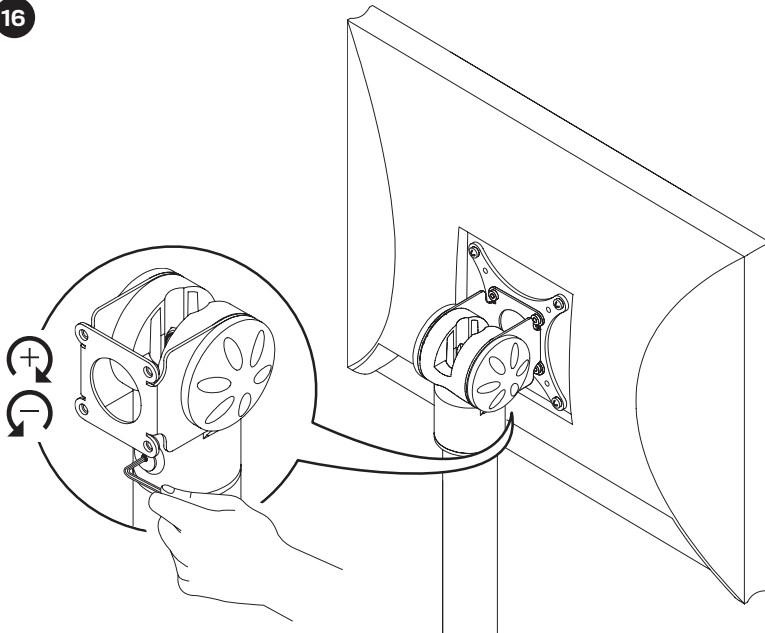
14



15

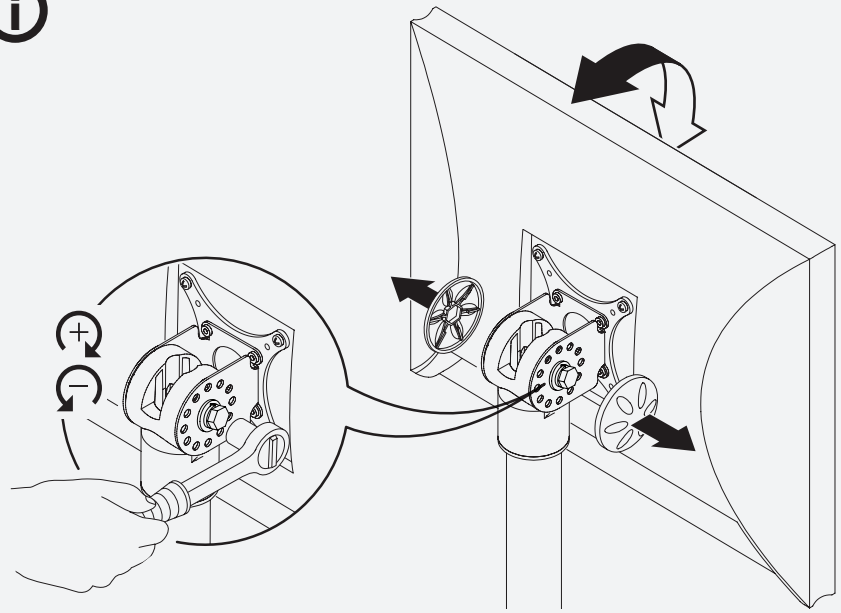


16



i

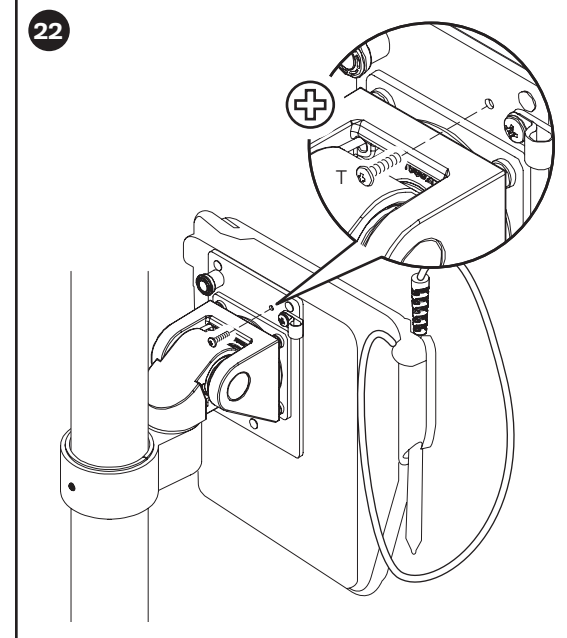
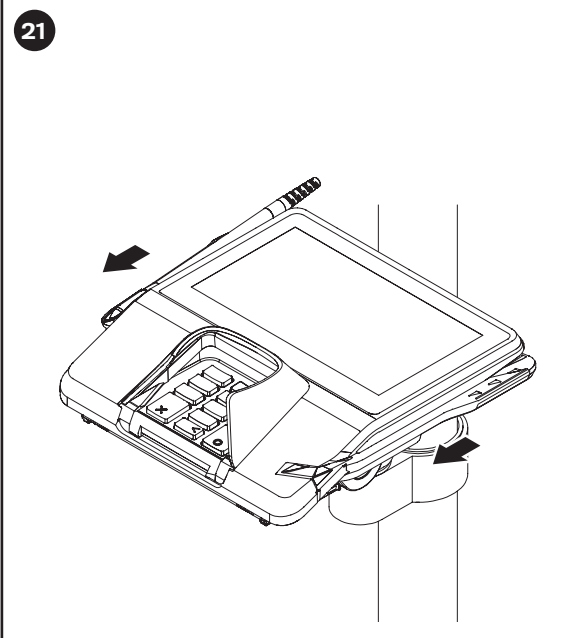
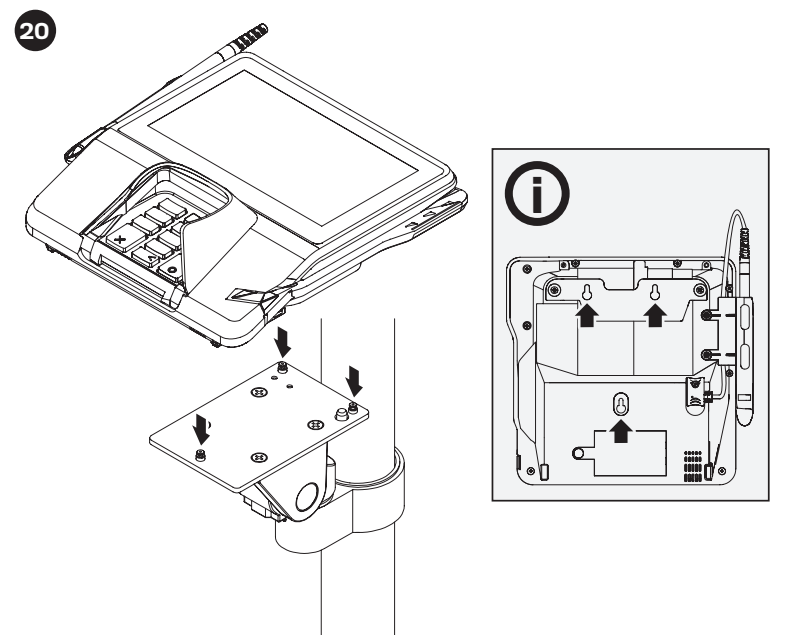
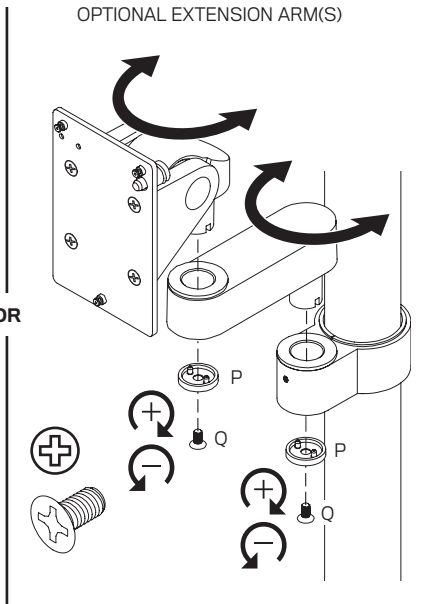
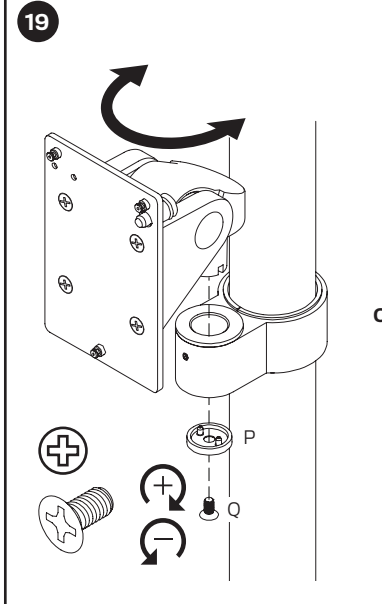
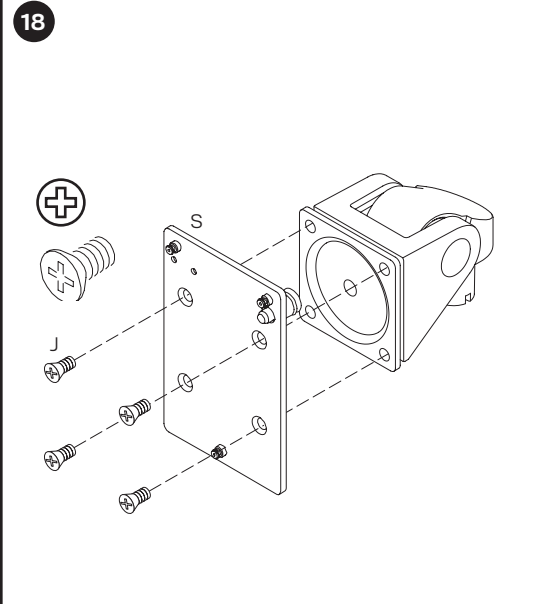
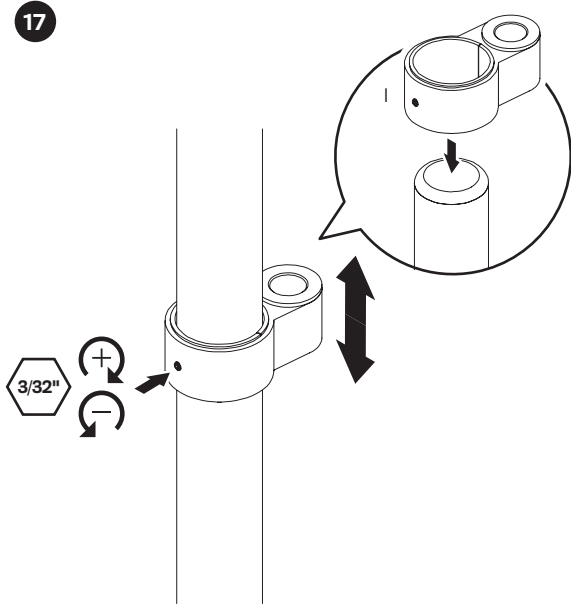
OPTIONAL TILT FRICTION ADJUSTMENT



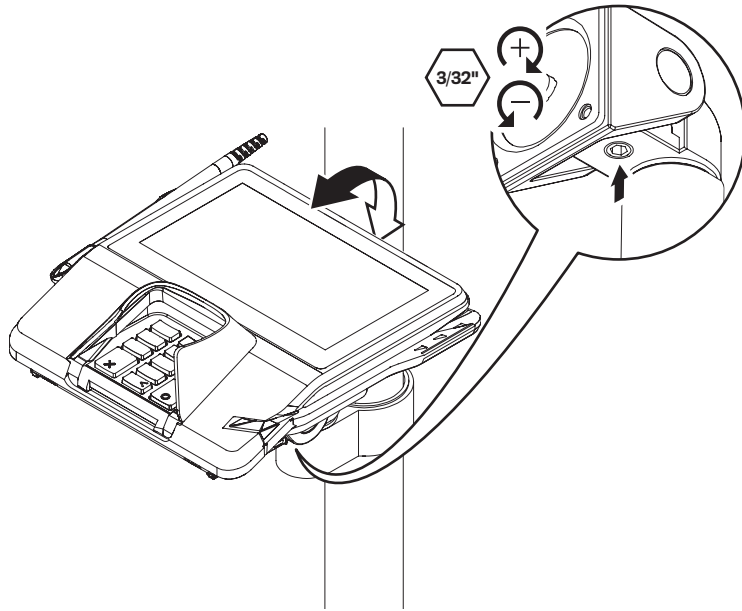
VERIFONE 915 / 925 ADAPTER

(Optional Accessory)

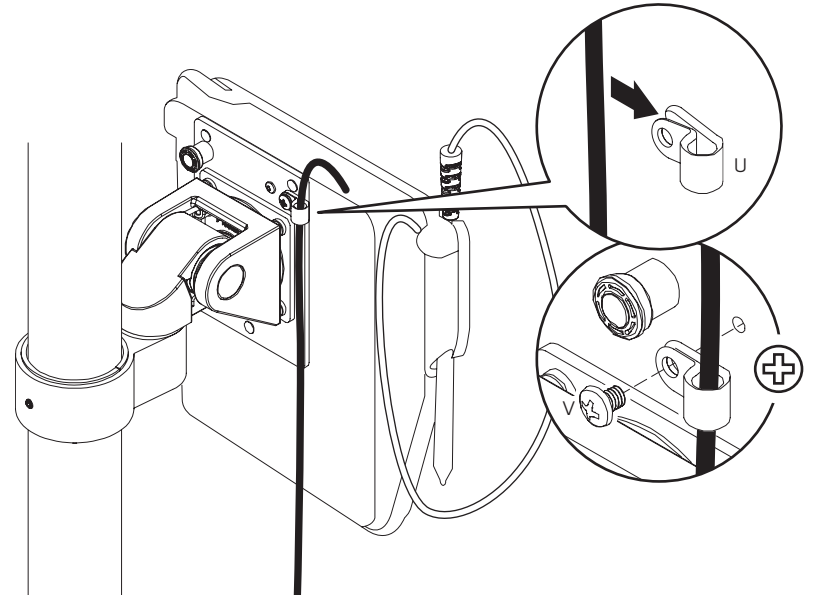
MNPA10-V01



23



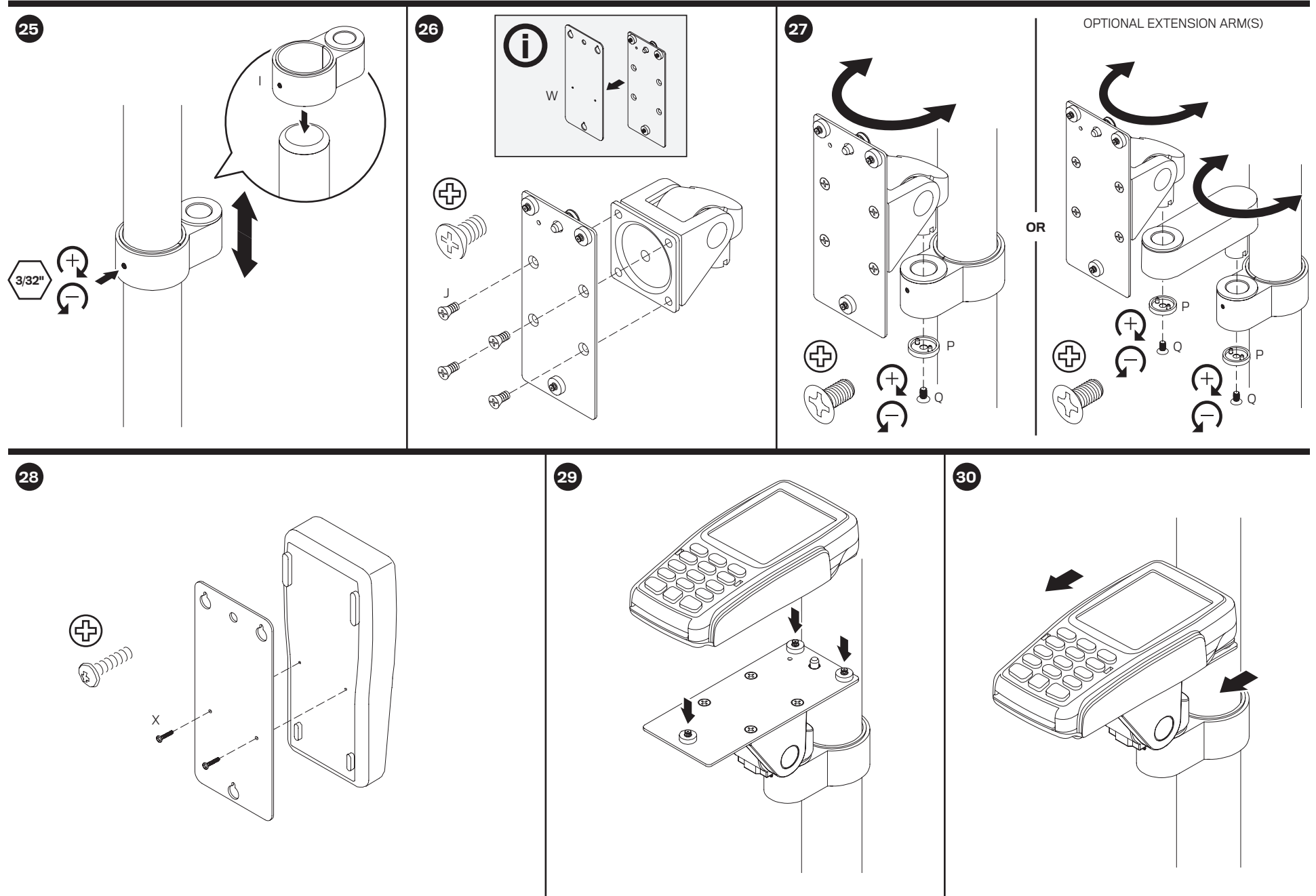
24



VERIFONE 820 ADAPTER

(Optional Accessory)

MNPA10-V02

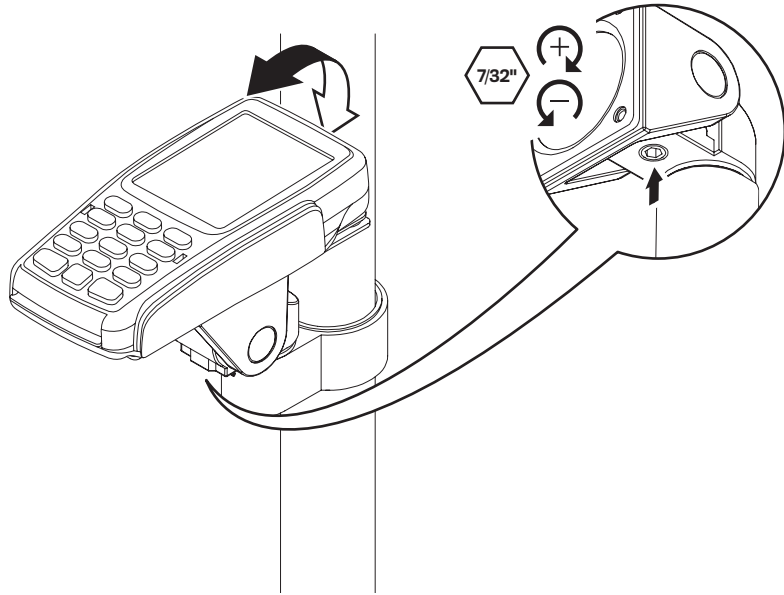


VERIFONE 820 ADAPTER CONTINUED

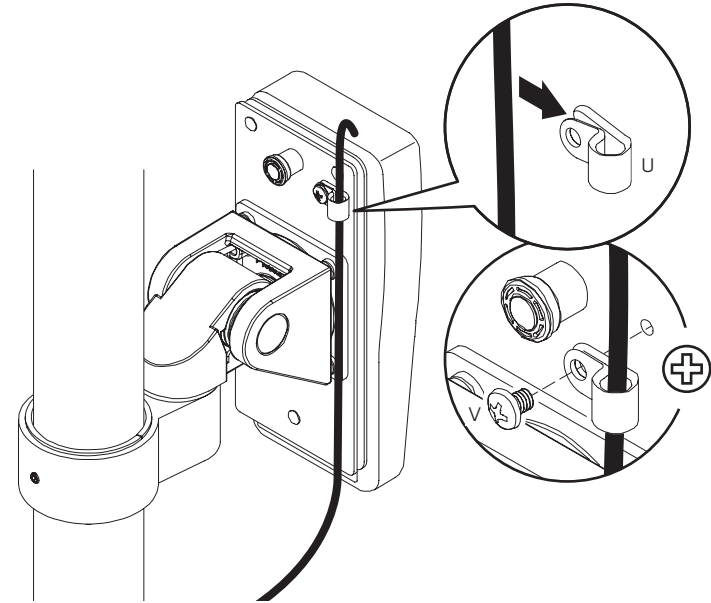
(Optional Accessory)

MNPA10-V02

31



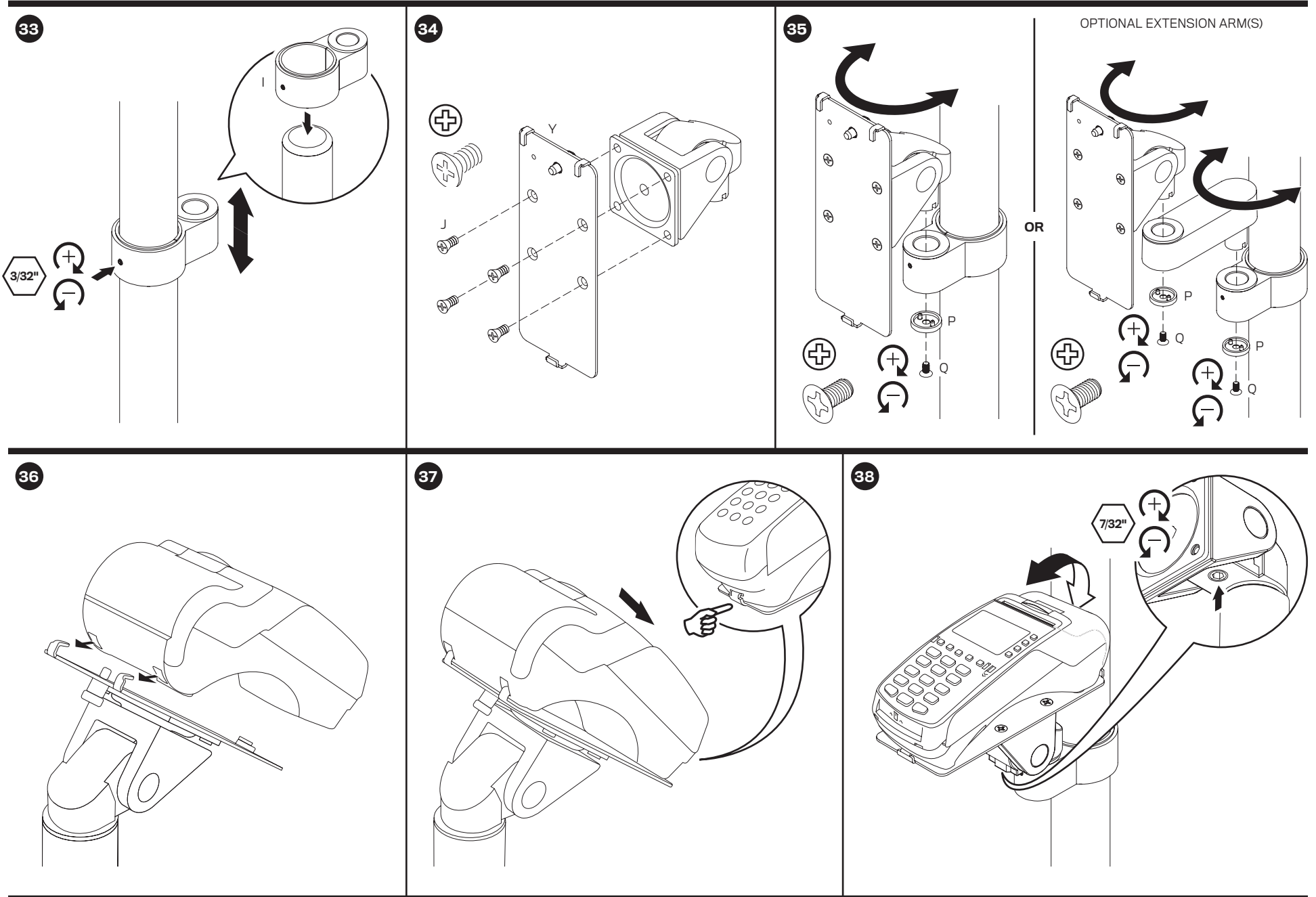
32



VERIFONE 520 ADAPTER

(Optional Accessory)

MNPA10-V03

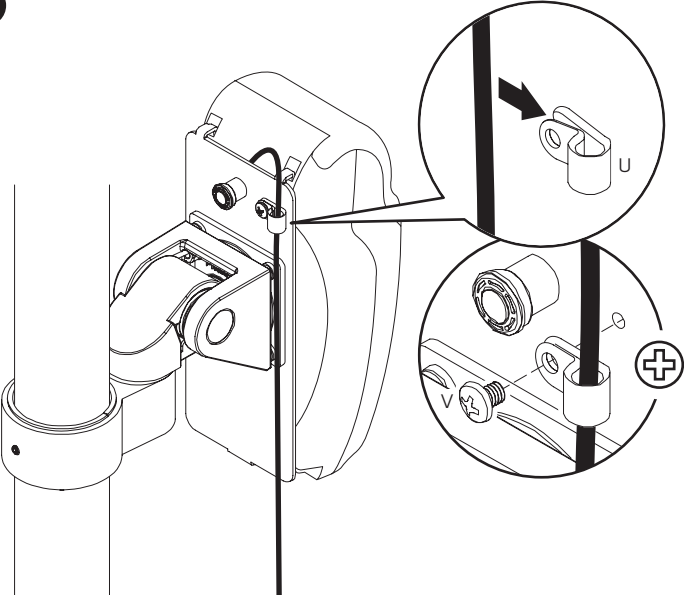


VERIFONE 520 ADAPTER

(Optional Accessory)

MNPA10-V03

39

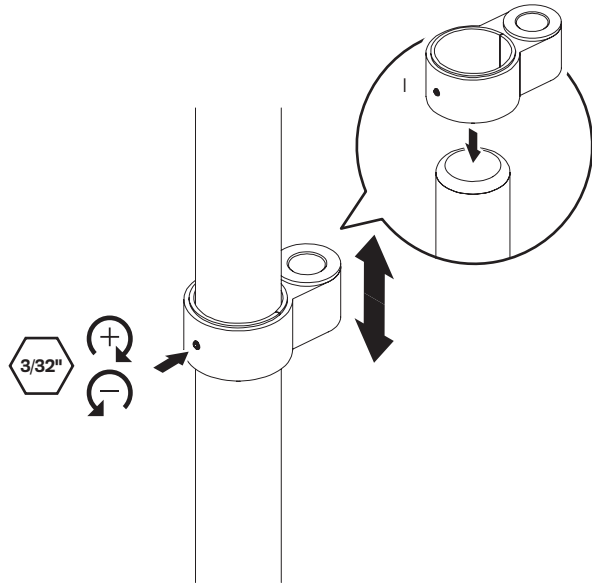


PRINTER TRAY

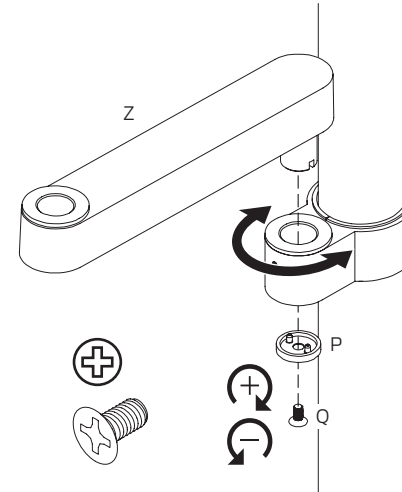
(Optional Accessory)

MNTR10-08

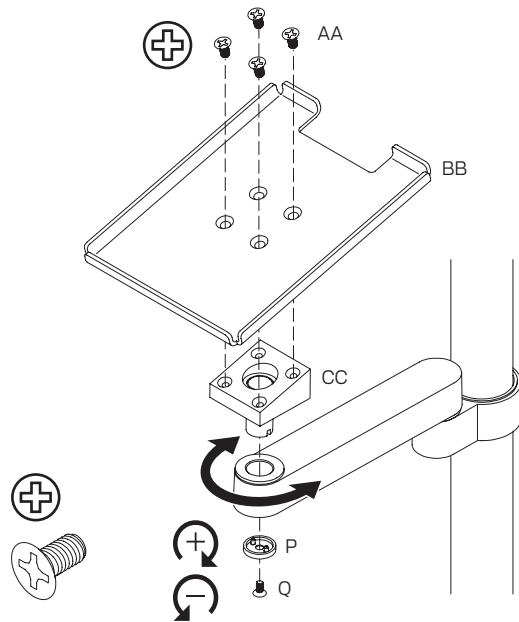
40



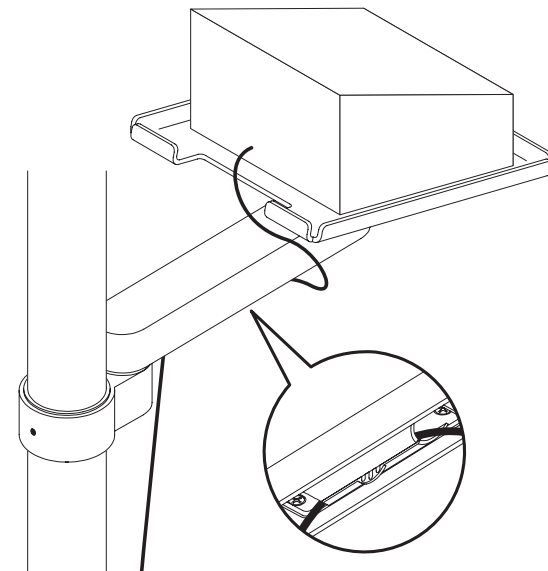
41



42

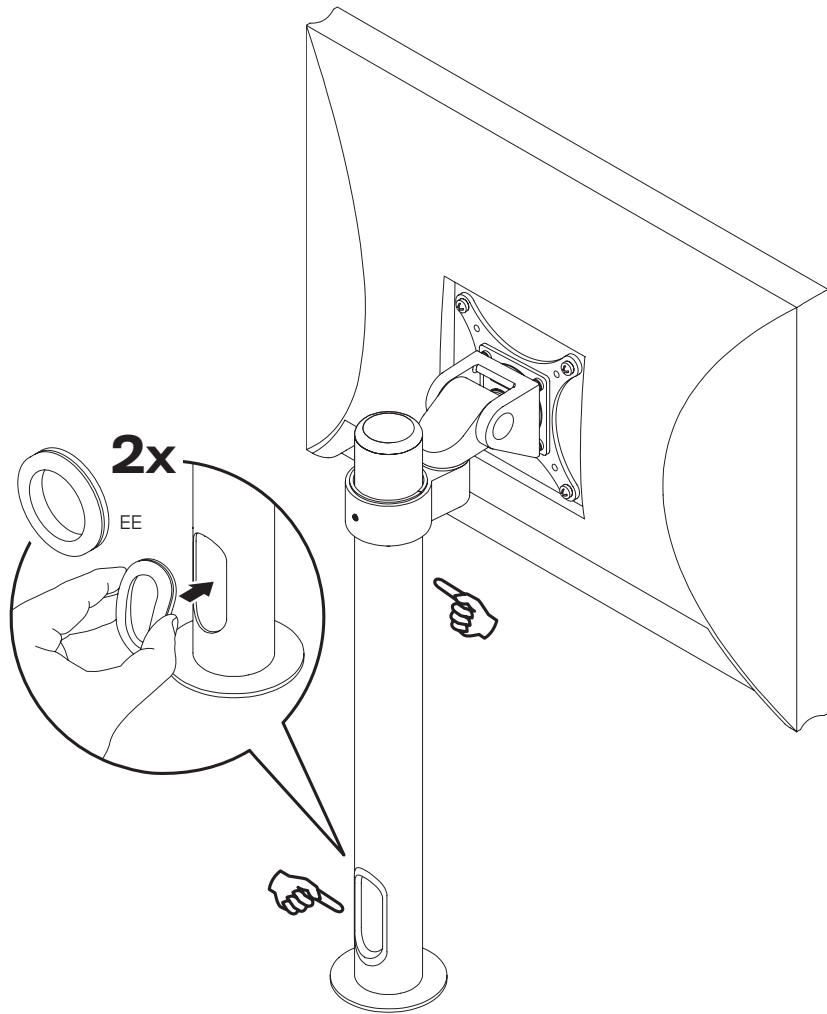


43



CABLE MANAGEMENT

44



OR

