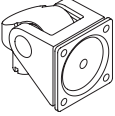


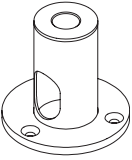


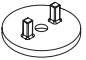
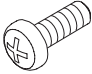
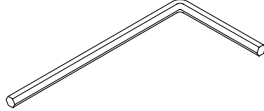

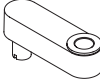


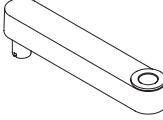

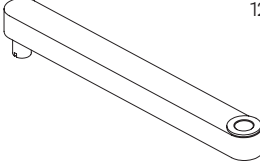
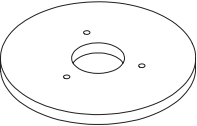
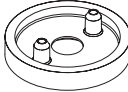


MNPT10-VESA

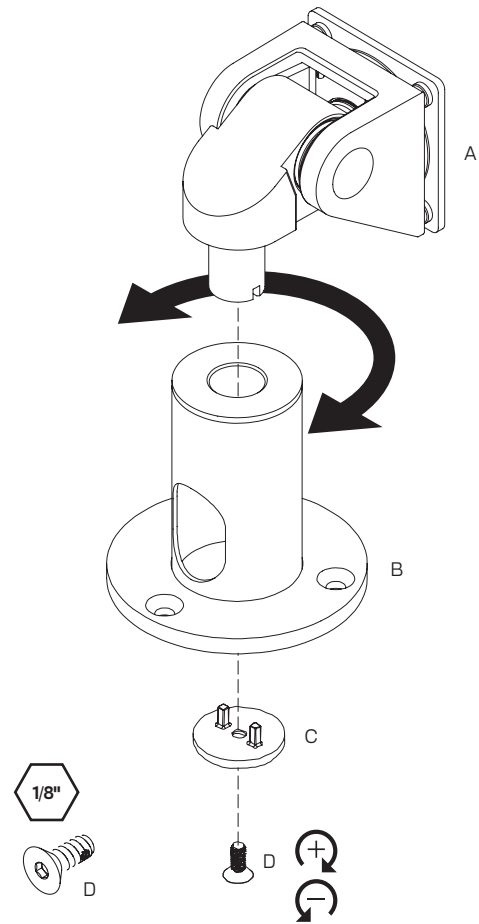
PARTS LIST

Note: Depending on your Modular Now® configuration, you may not receive all parts shown below.

<p>A Spring-Assisted Monitor Tilter 407747</p> 	<p>H 10-32 x 3/8" Phillips Pan Head Screw (4-pack) 702281</p> 	<p>O 10-32 x 3/8" FPhMS w/Lock Patch 705198</p> 
<p>B Payment Terminal Mount</p> 	<p>I 75/100mm VESA® Adapter Plate 105587</p> 	<p>P Small Grommet 113544</p> 
<p>C Dog Washer 111230-603</p> 	<p>J M4 x 12mm Phillips Pan Head Screw 702096 (4-pack)</p> 	<p>Q 7/32" Allen Wrench 701127</p> 
<p>D 10-32 x 1/2" FHSCS 711240</p> 	<p>K 4" Extension Arm MNEA10-04</p> 	<p>R 1/8" Allen Wrench 701312</p> 
<p>E Adhesive Pad 111015</p> 	<p>L 8.5" Extension Arm MNEA10-08</p> 	
<p>F 1/4-20 x 1/2" FPhMS 704805</p> 	<p>M 12.5" Extension Arm MNEA10-12</p> 	
<p>G Payment Terminal Freestanding Base MNPT10-FSM</p> 	<p>N Dog Washer 105189</p> 	

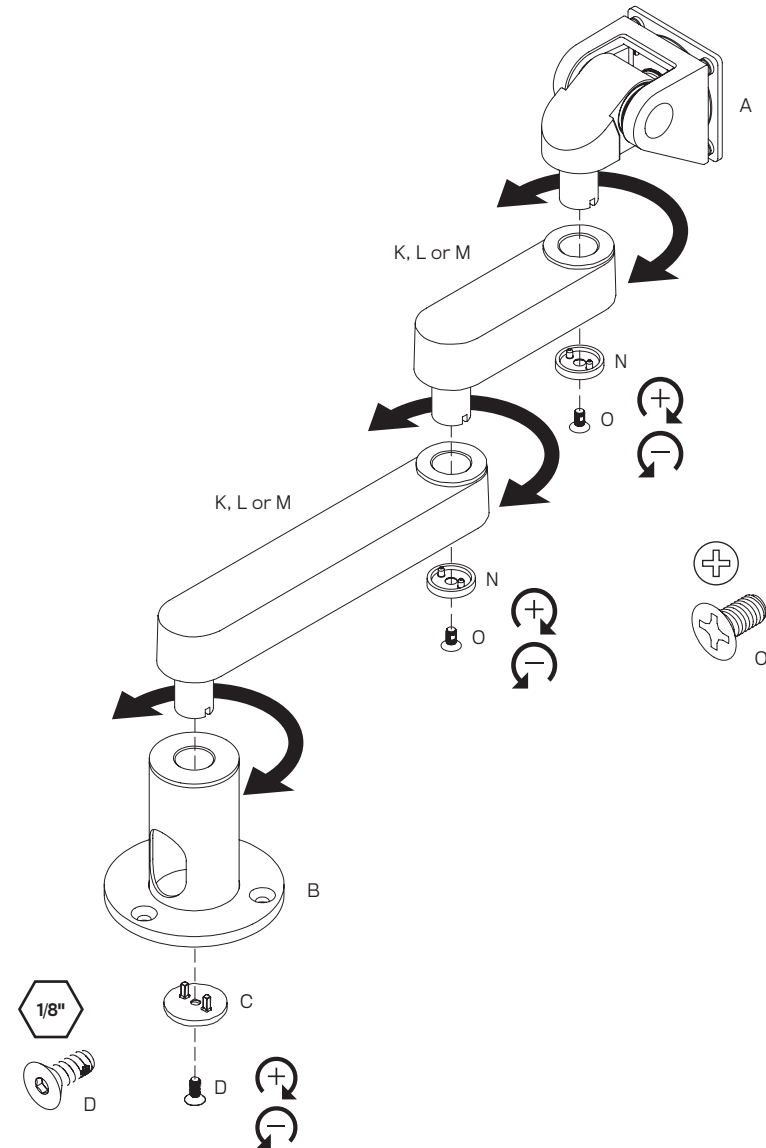
TILTER

1



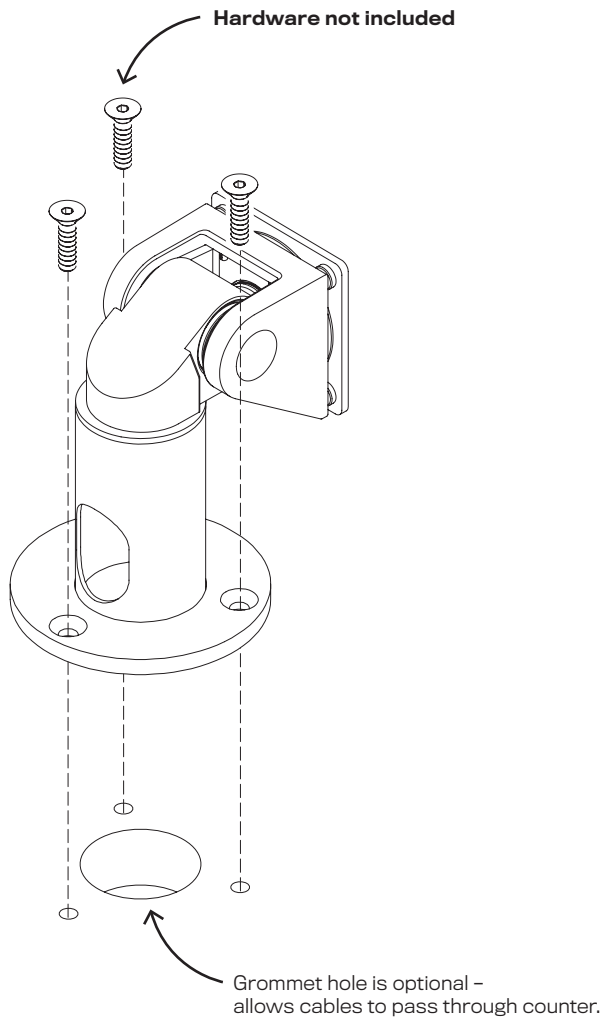
OR

OPTIONAL EXTENSION ARM(S)

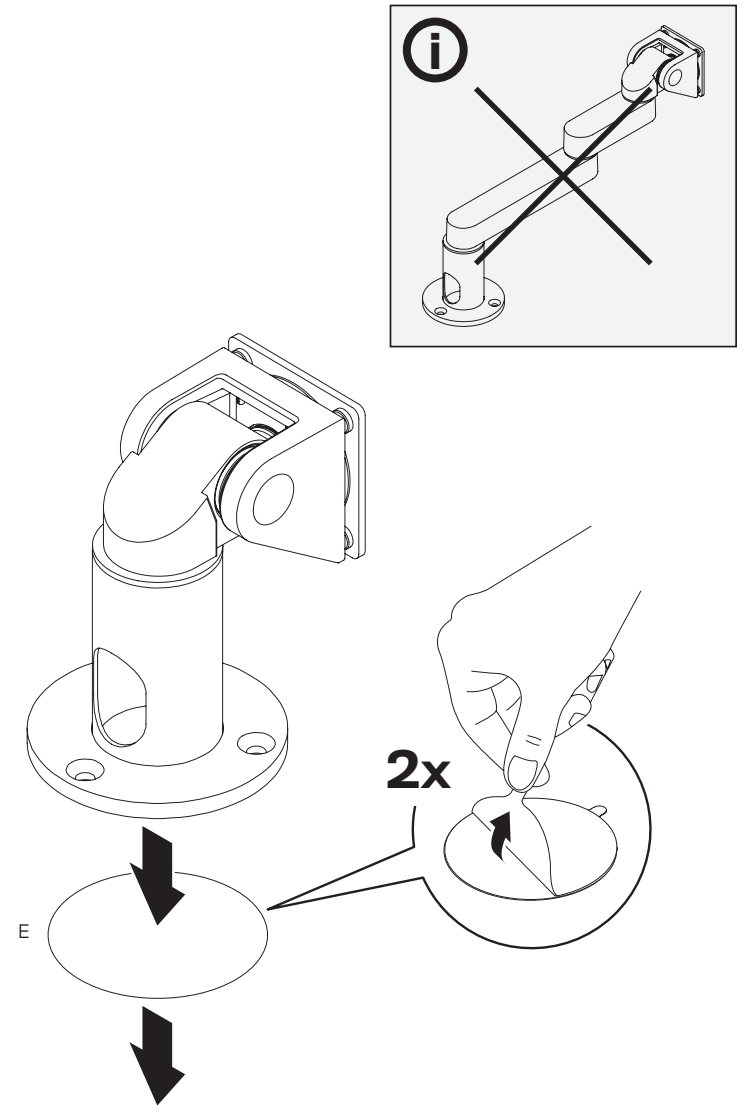


MOUNT

2



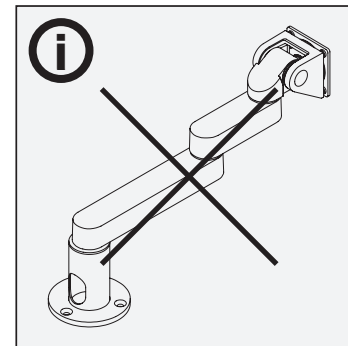
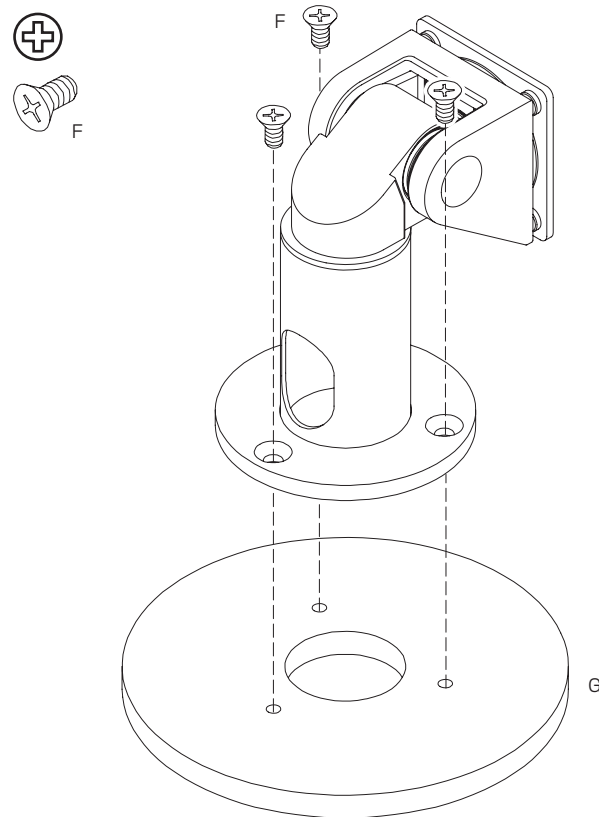
OR



FREESTANDING BASE

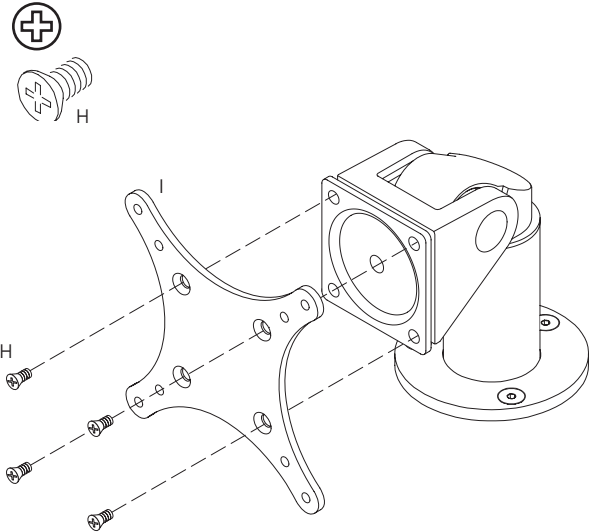
(Optional accessory, model # MNPT10-FSMB)

3

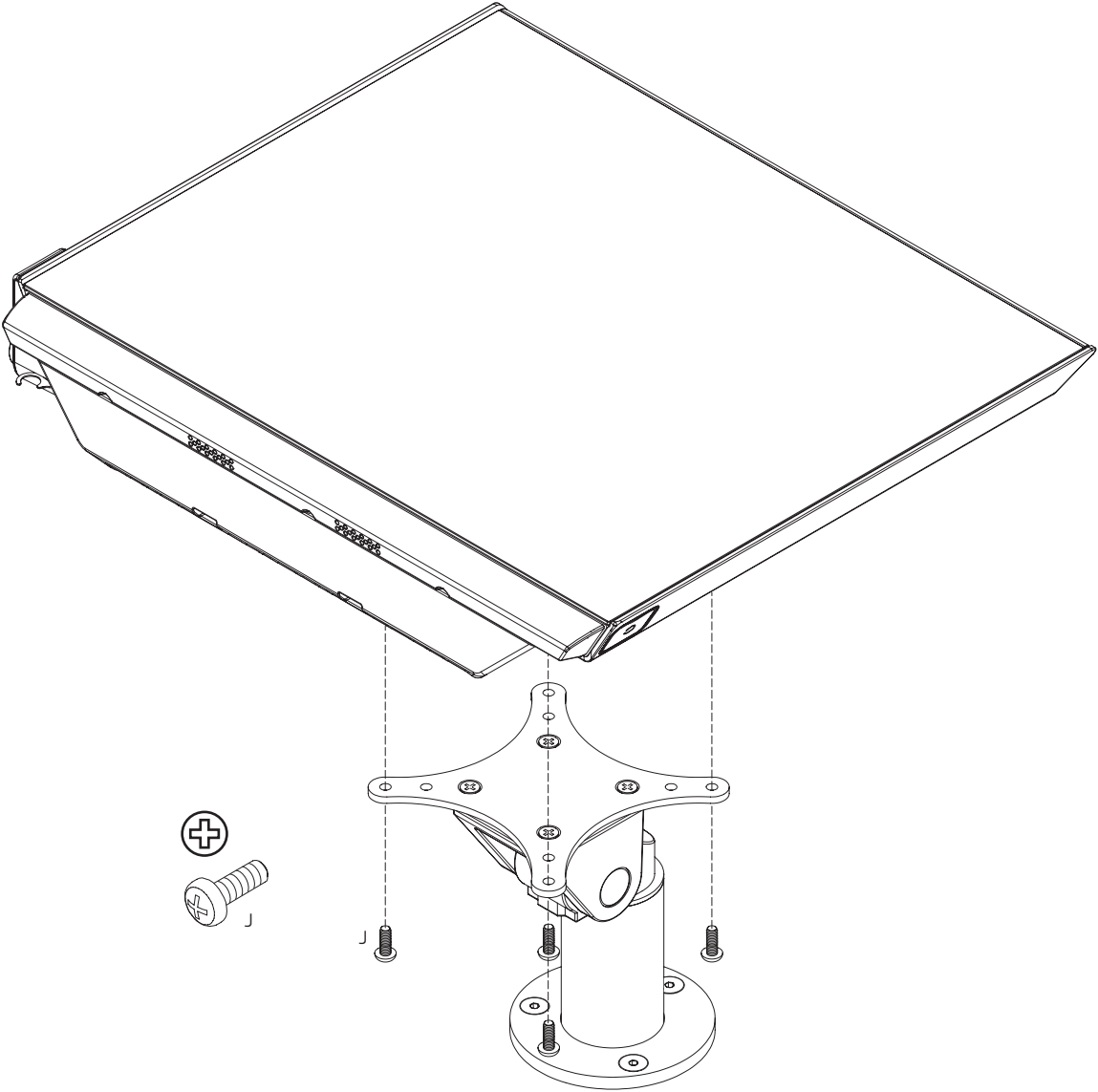


VESA ADAPTER

4

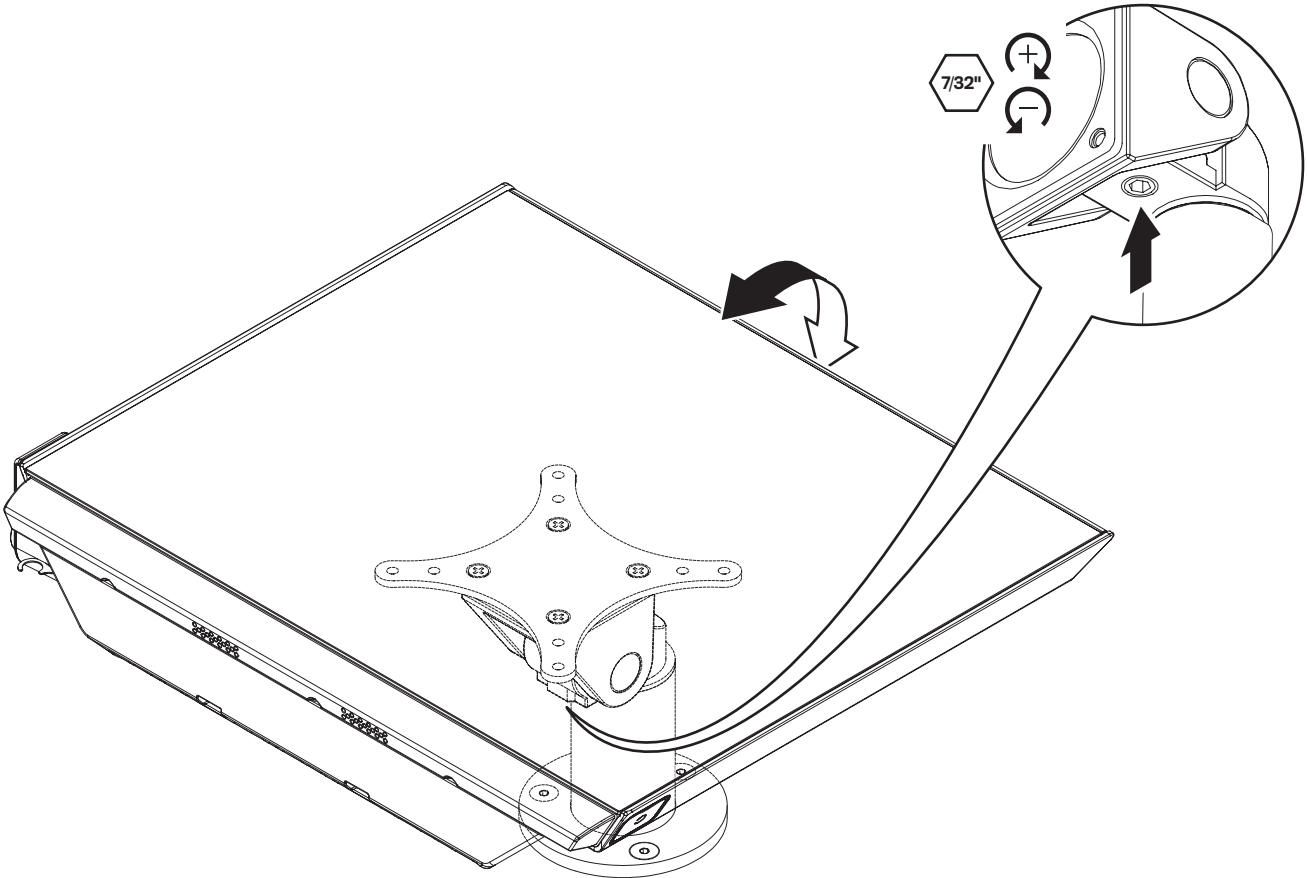


5



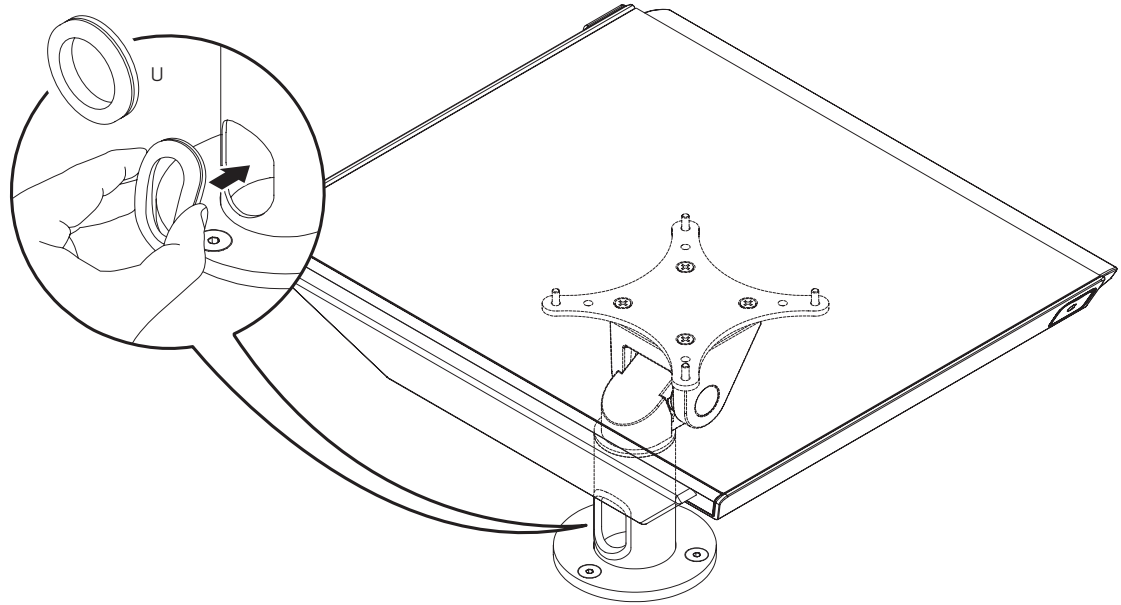
VESA ADAPTER CONTINUED

6

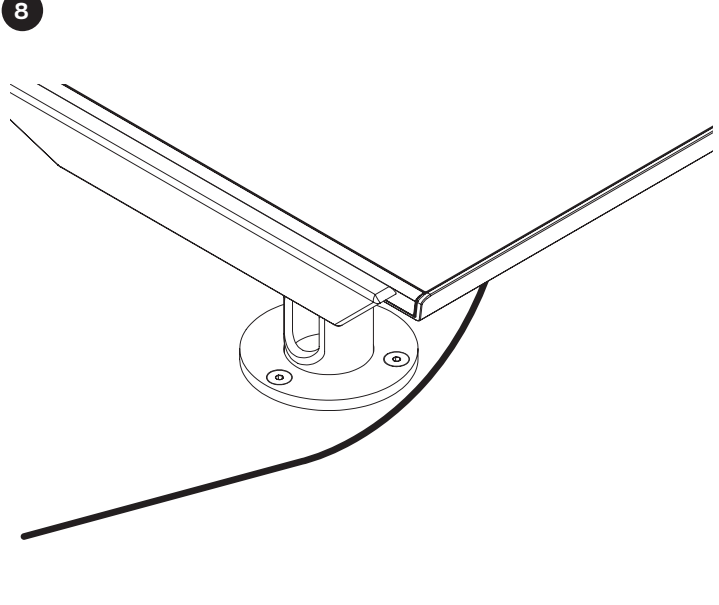


CABLE MANAGEMENT

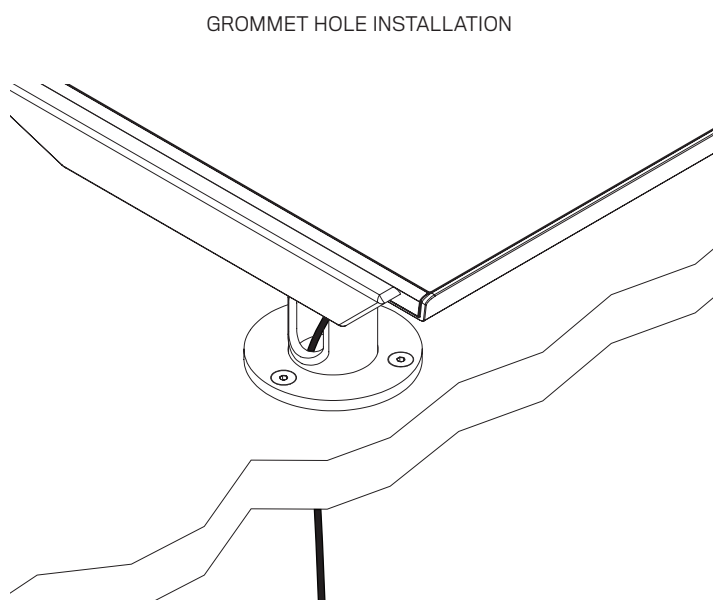
7



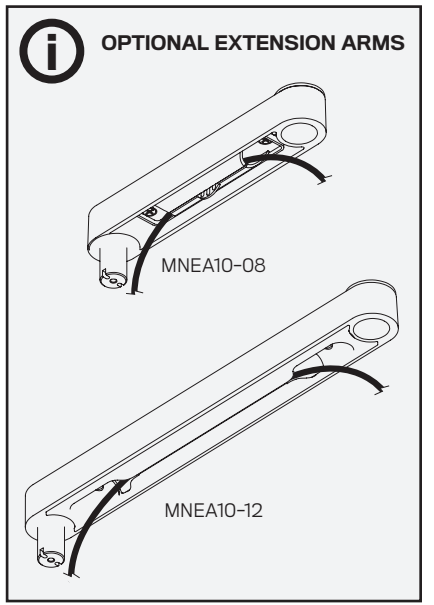
8



OR



GROMMET HOLE INSTALLATION



OPTIONAL EXTENSION ARMS

MNEA10-08

MNEA10-12