

PARTS LIST

A



Wall Mount 1x
RP406795

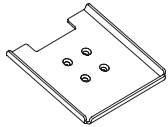
B

1/4-20 x 1/2" L FPhMS 4x
700987



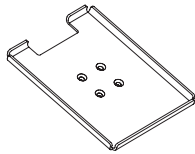
C

Printer Tray 1x
113697



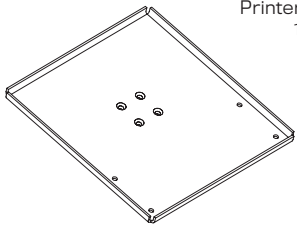
D

Printer Tray 1x
113199

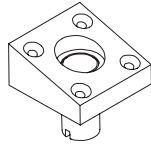


E

Printer Tray 1x
112994



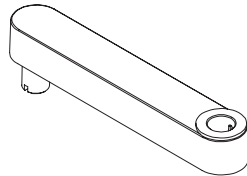
F



Non-Tilt Base 1x
113204

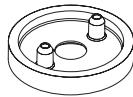
G

8" Extension Arm 1x
406640



H

Dog Washer 2x
105189

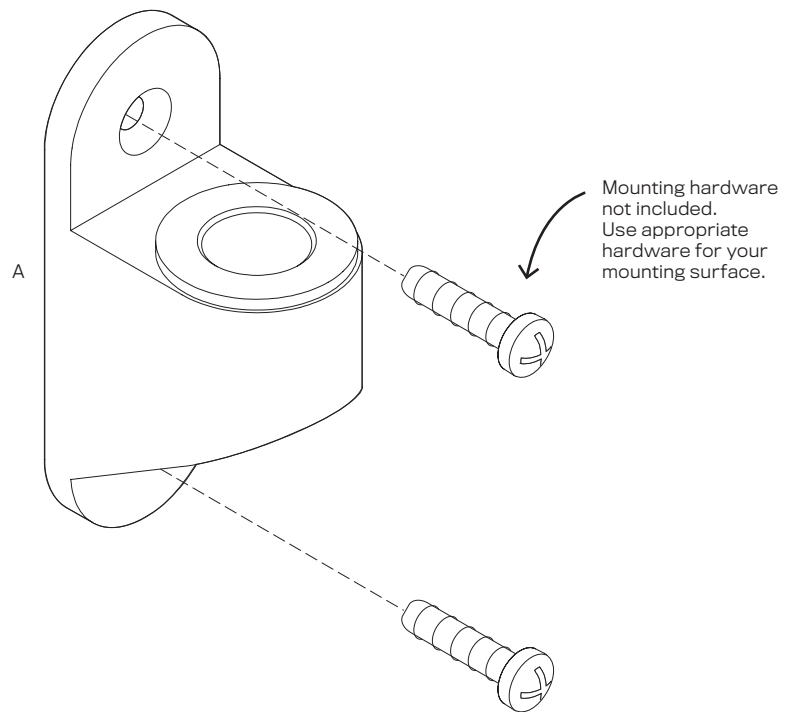


I

10-32 x 3/8" FPhMS w/Lock Patch 2x
705198



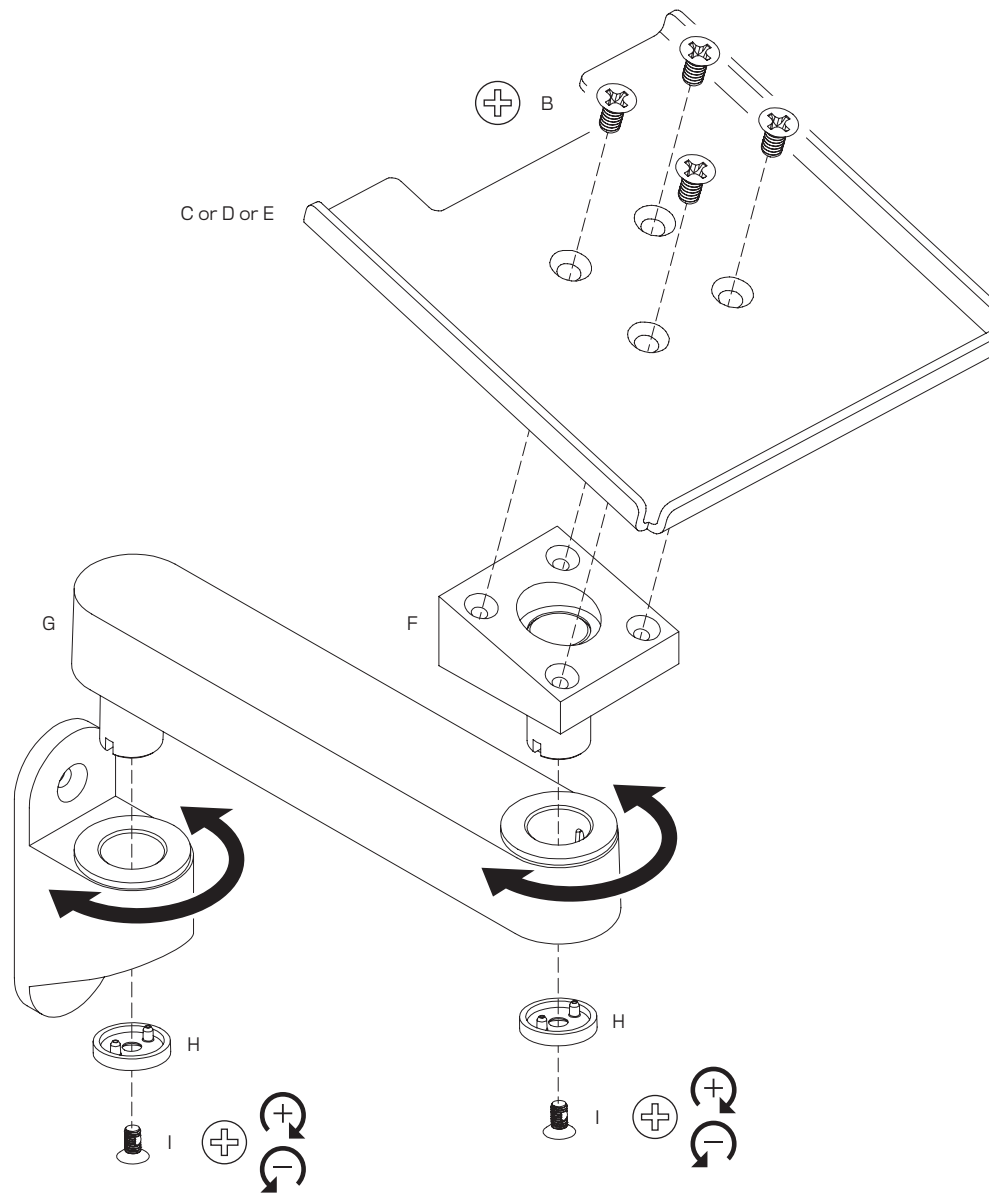
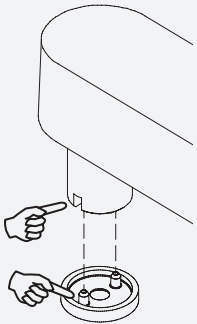
1



**NOTE:**

The Dog Washer (H) & 10-32 x 3/8" FPhMS Screw w/Lock Patch (I) MUST be screwed in tightly to secure the extension arms together and add sufficient swivel tension.

The 'Ears' on the Dog Washer (H) must line up with the notches in the bottom of the mount block when installed.

**NOTE:**

The Dog Washer (H) & 10-32 x 3/8" FPhMS Screw w/Lock Patch (I) MUST be screwed in tightly to secure the extension arms together and add sufficient swivel tension.

The 'Ears' on the Dog Washer (H) must line up with the notches in the bottom of the mount block when installed.

