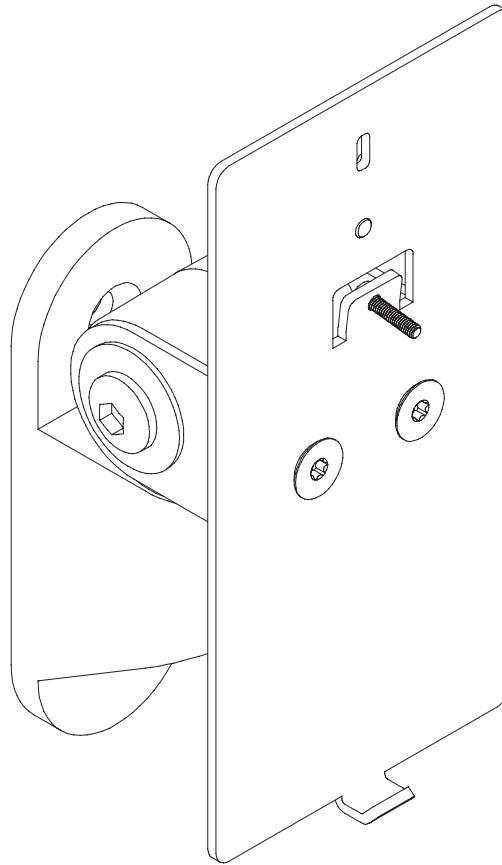


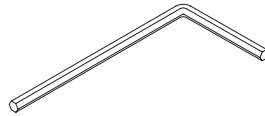
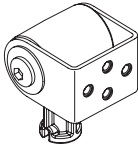


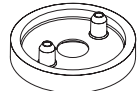
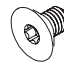

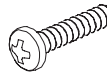
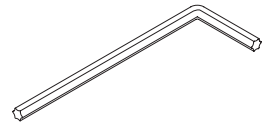


PTS-WM-IPP320-IPP350

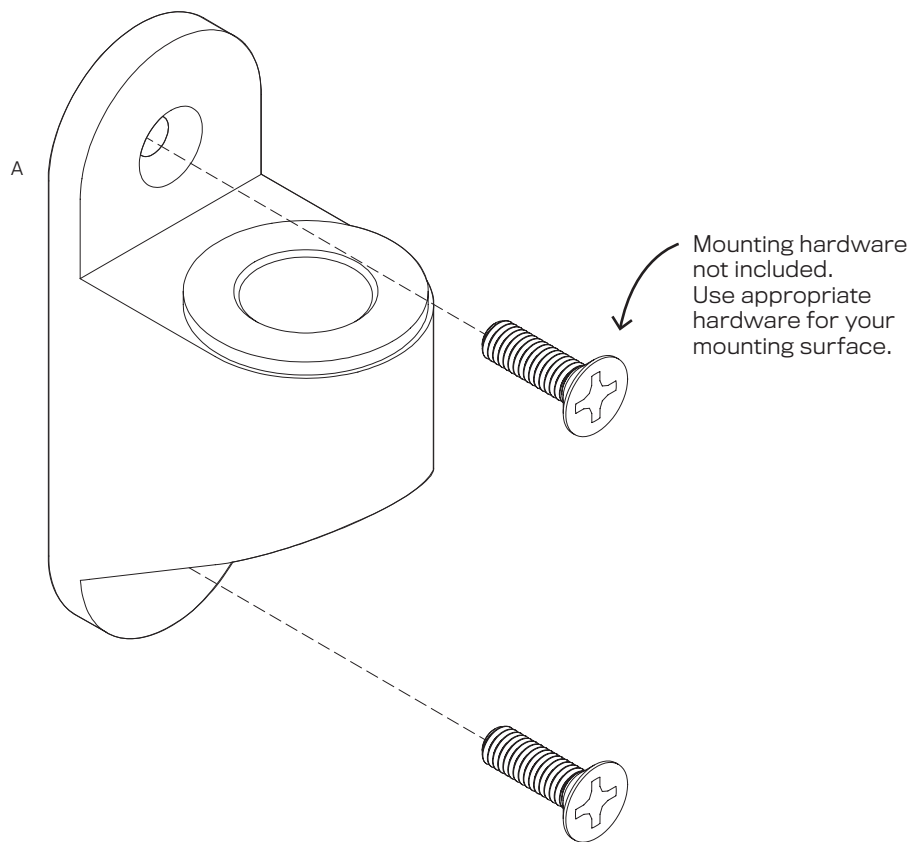
Installation Instructions

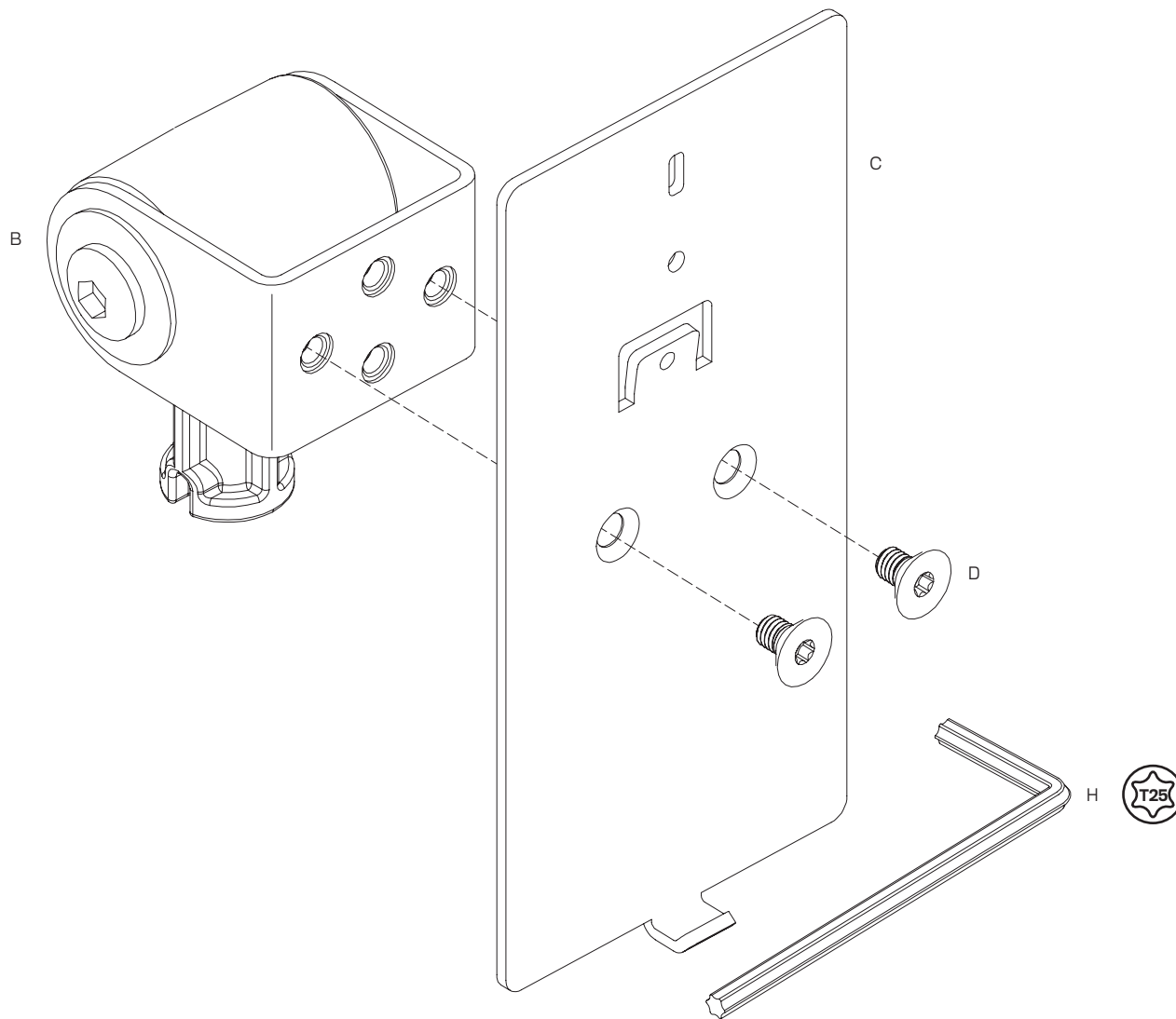


PARTS LIST

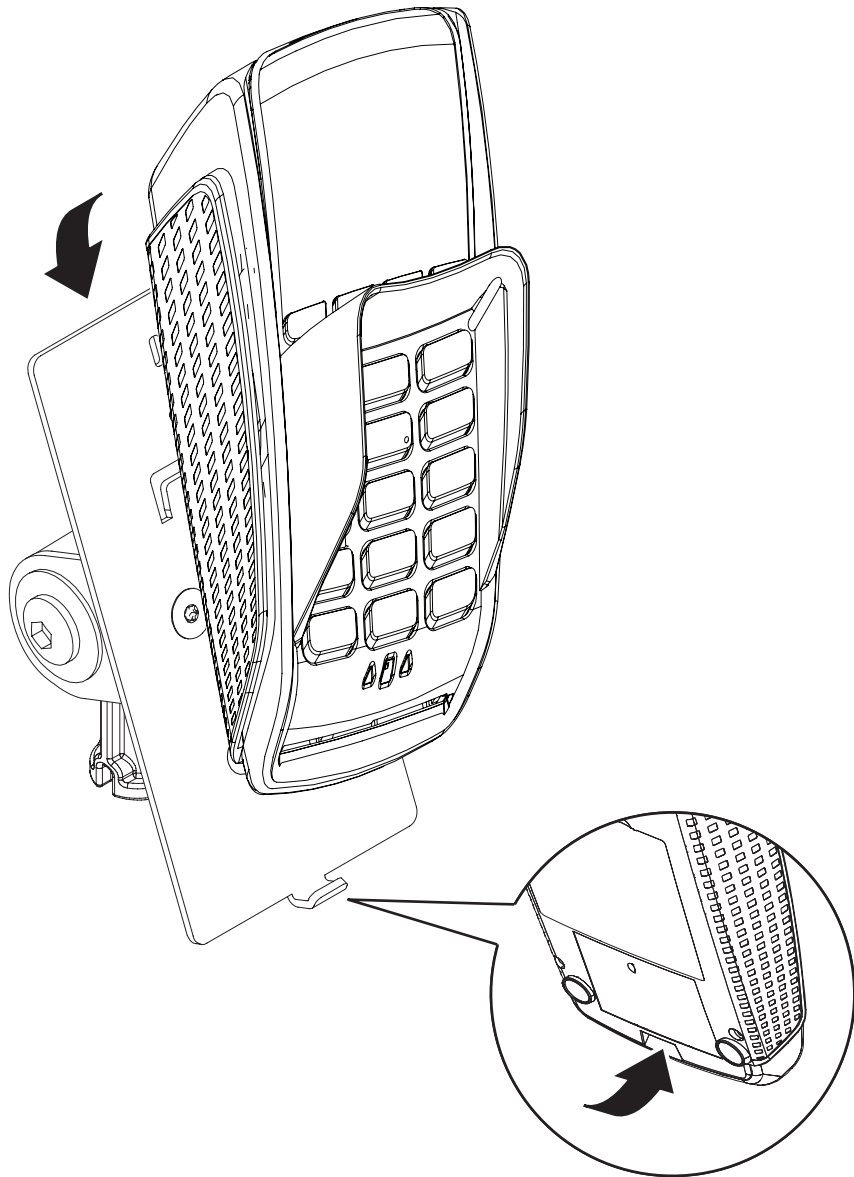
<p>A</p>  <p>Wall Mount 1x RP406795</p>	<p>F</p>  <p>Cable Clip 1x 713037</p>	<p>I</p>  <p>7/32" Allen Wrench 2x 701127</p>
<p>B</p>  <p>Mini Tilter 1x 416267</p>	<p>G</p>  <p>8-32 x 3/16" Phillips Pan Head Screw 1x 713038</p>	
<p>C</p>  <p>Ingenico iPP320/350 Adapter Plate 1x 115064</p>	<p>F</p>  <p>Dog Washer 1x 105189</p>	
<p>D</p>  <p>M5-0.8 x 8mm Torx Screw 2x 715065</p>	<p>G</p>  <p>10-32 x 3/8" FPhMS w/Lock Patch 1x 705198</p>	
<p>E</p>  <p>M2.5-0.45 x 12mm PPhMS 1x 714295</p>	<p>H</p>  <p>T25 L-Key 1x 714899</p>	

1





3



4

