

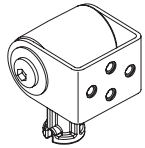
PARTS LIST

A



Wall Mount 1x
RP406795

B



Mini Tilter 1x
416267

C

Verifone M400/MX915 Adapter Plate 1x
414596



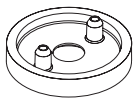
D

Tilt Bracket Screw 2x
113900



E

Dog Washer 1x
105189



F

10-32 x 3/8" FPhMS w/Lock Patch 1x
705198



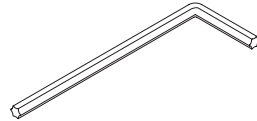
G

T15 L-Key 1x
714904



H

T25 L-Key 1x
714899



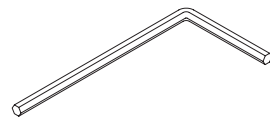
I

3/32" Allen Wrench 1x
700146

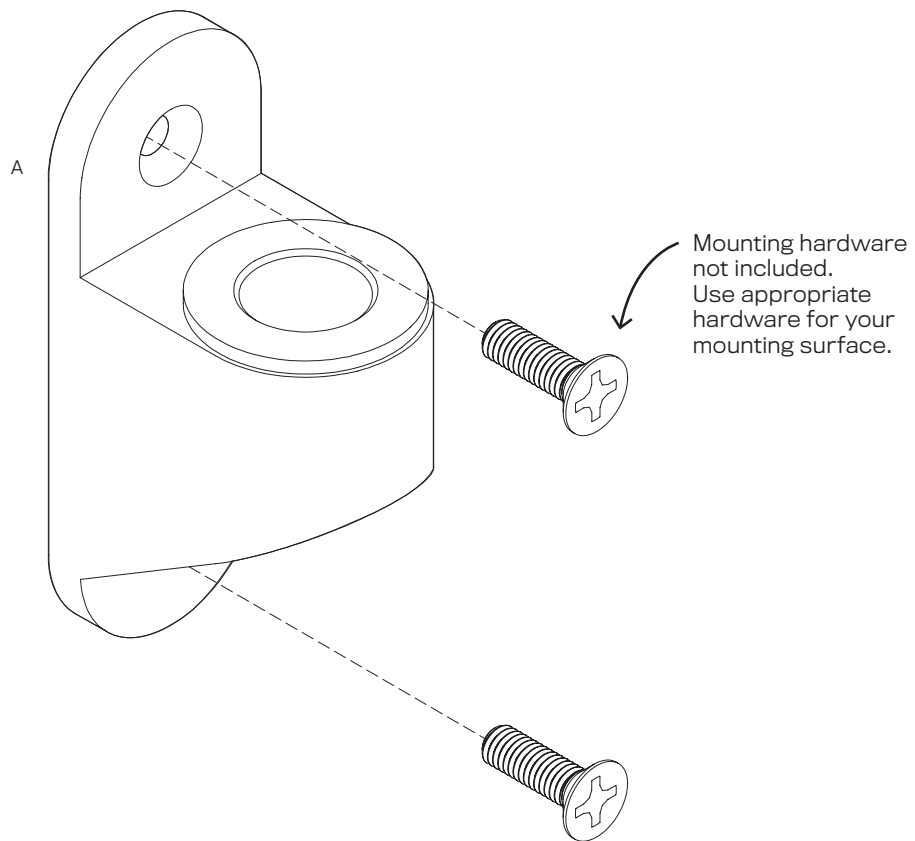


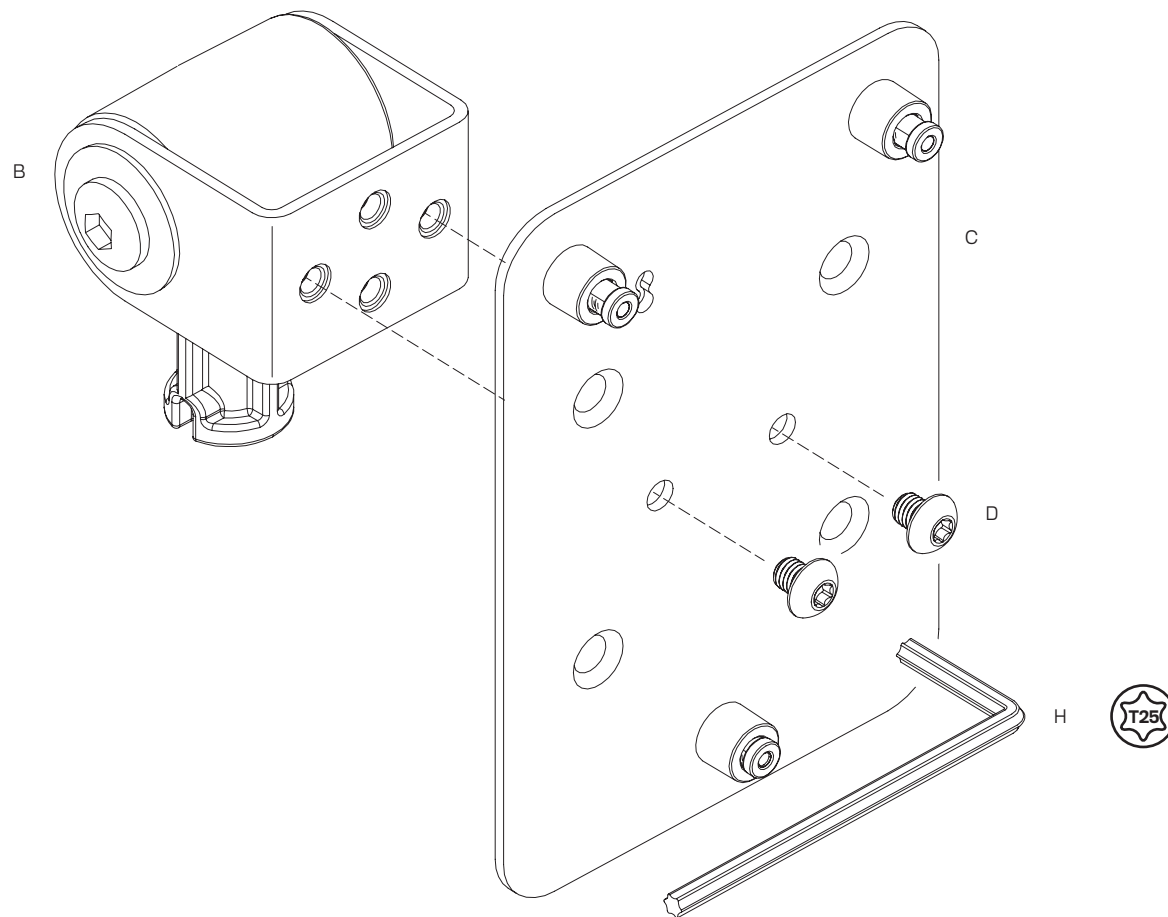
J

7/32" Allen Wrench 2x
701127



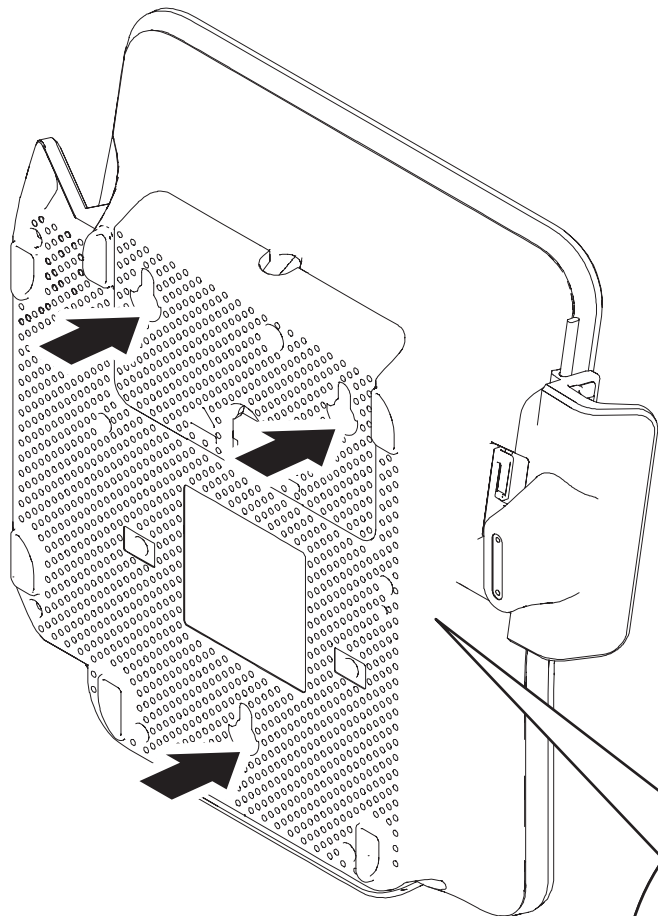
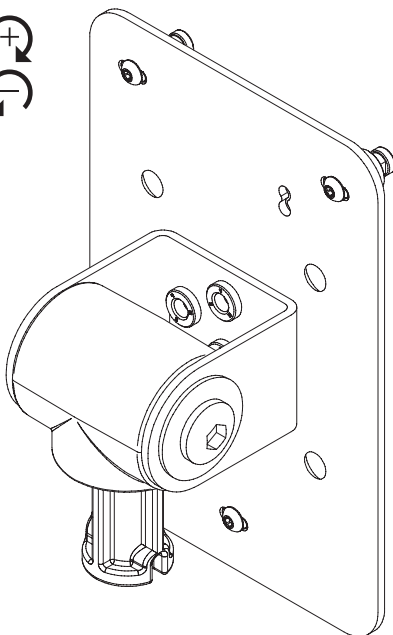
1





3a

You may need to loosen the screws to allow the device to slide into place on the mount.



3b

