



FEATURES

- 1 CENTRIS® FINGERTIP TILT**
Effortlessly adjust display using Centris fingertip tilt technology. Screen angle stays set until you decide to readjust.
- 2 TELESCOPING HEIGHT ADJUSTMENT**
Integrated knob provides tool-less telescoping adjustment from 4 ft (120 cm) to 6 ft (180 cm).
- 3 CLICKCONNECT® LATCHING**
Hear an audible click when the screen engages with the mount. Easy to connect/disconnect – no tools needed!
- 4 PORTRAIT/LANDSCAPE CAPABILITY**
Mounts in either portrait or landscape position.
- 5 CABLE MANAGEMENT**
Flexible covers hide cables for a clean installation.



SPECIFICATIONS

Dimensions*	77.75" x 37.13" x 32.13" (197.4 x 94.3 x 81.6 cm)
Height	4 - 6' (120 - 180 cm)
Tilt	±15°
Weight Capacity	125 lbs (56.7 kg)
Colors	Black, Silver

* Dimensions do not include interface bracket

WHAT YOU NEED TO KNOW

ABOUT MFC

Disassembles with one tool. Designed with lightweight aluminum, its unique angled base makes corner positioning or nesting easy. Universal interface bracket sold with MFCU, custom interface brackets sold separately with MFC.

OTHER PRODUCT OPTIONS



MFM

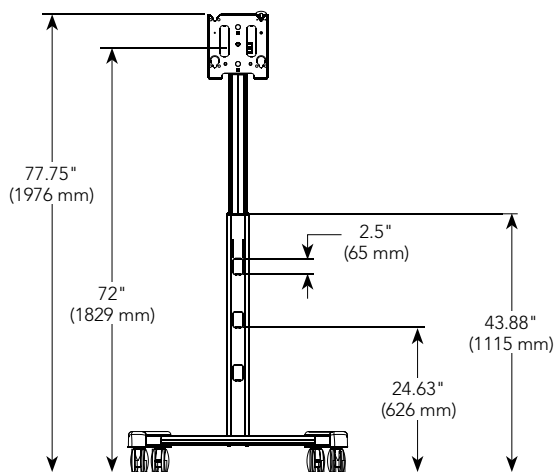
Confidence Monitor Cart
Height: 3 - 4' (91 - 122 cm), Tilt: +15°/+45°



MFQ

Confidence Monitor Cart
Height: 2 - 2.5' (61 - 76 cm), Tilt: +15°/+45°

TECHNICAL DRAWINGS



RECOMMENDED ACCESSORIES



PAC710 ■ Accessory Shelf



MAC720 ■ Dual Display Accessory



PAC700 ■ Travel Case

For a complete list of cart & stand accessories see page 96 - 97.