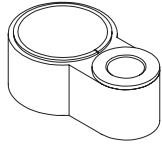


PARTS LIST

A Mount Yoke 1x
414351



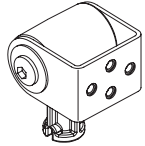
F Cable Clip 1x
713037



K 3/32" Allen Wrench 1x
700146



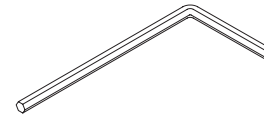
B Mini Tilter 1x
416267



G 8-32 x 3/16" Phillips Pan Head Screw 1x
713038



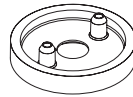
L 7/32" Allen Wrench 2x
701127



C Ingenico iPP320/IPP350 Adapter Plate 1x
115064



H Dog Washer 1x
105189



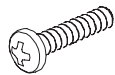
D M5-0.8 x 8mm Torx Screw 2x
715065



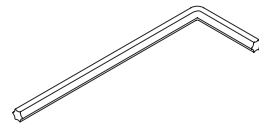
I 10-32 x 3/8" FPhMS w/Lock Patch 1x
705198



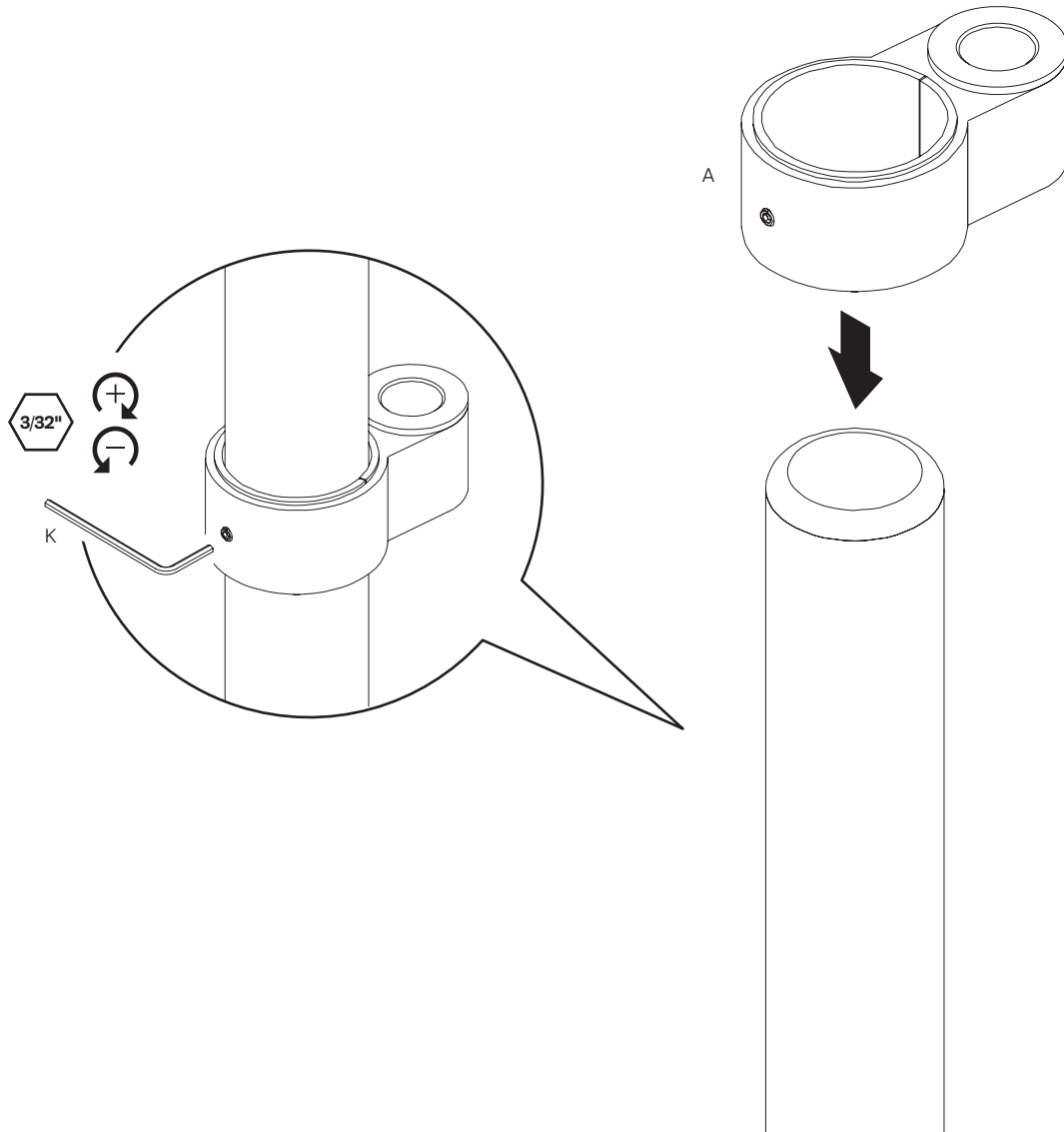
E M2.5-0.45 x 12mm PPhMS 1x
714295

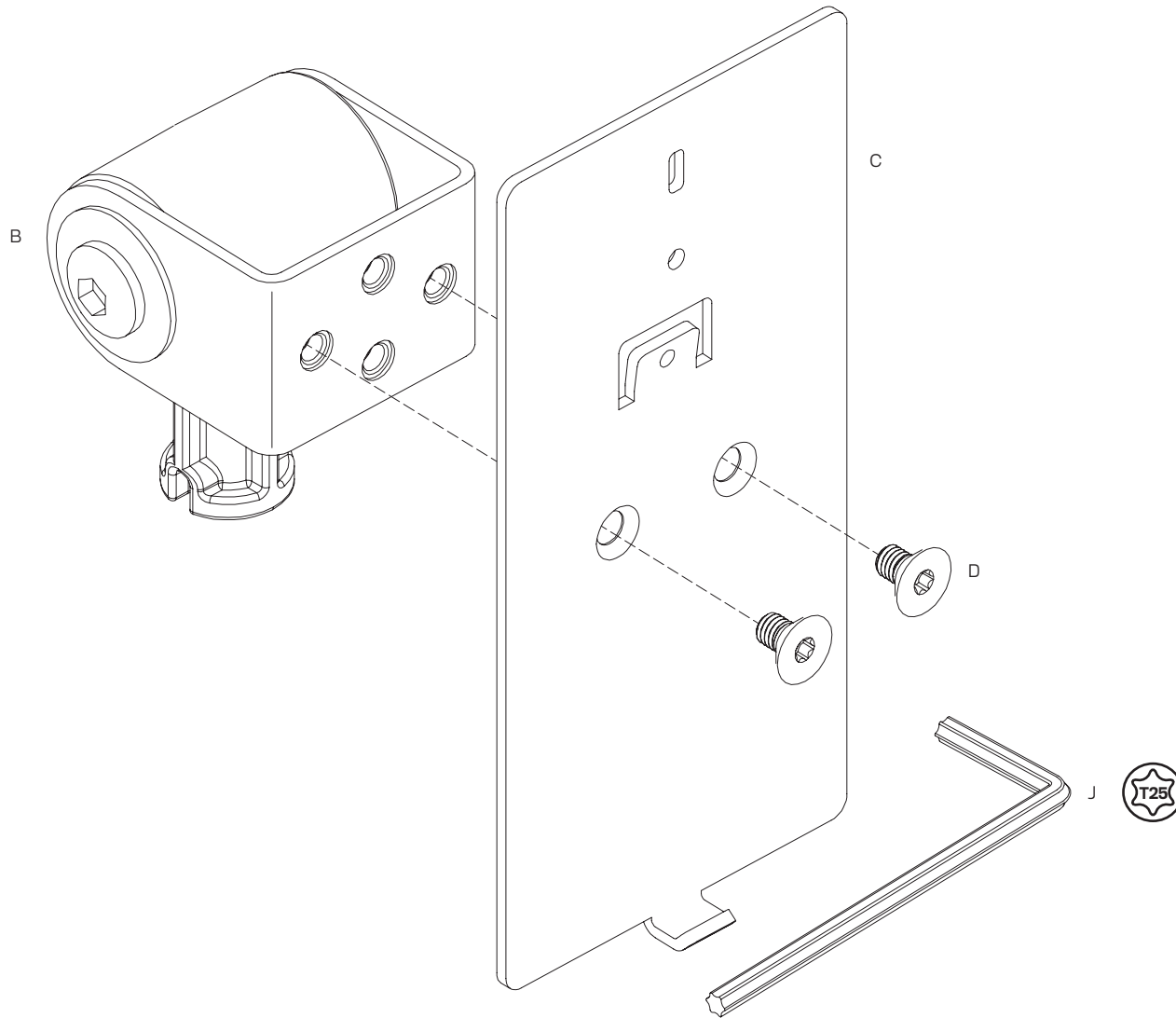


J T25 L-Key 1x
714899

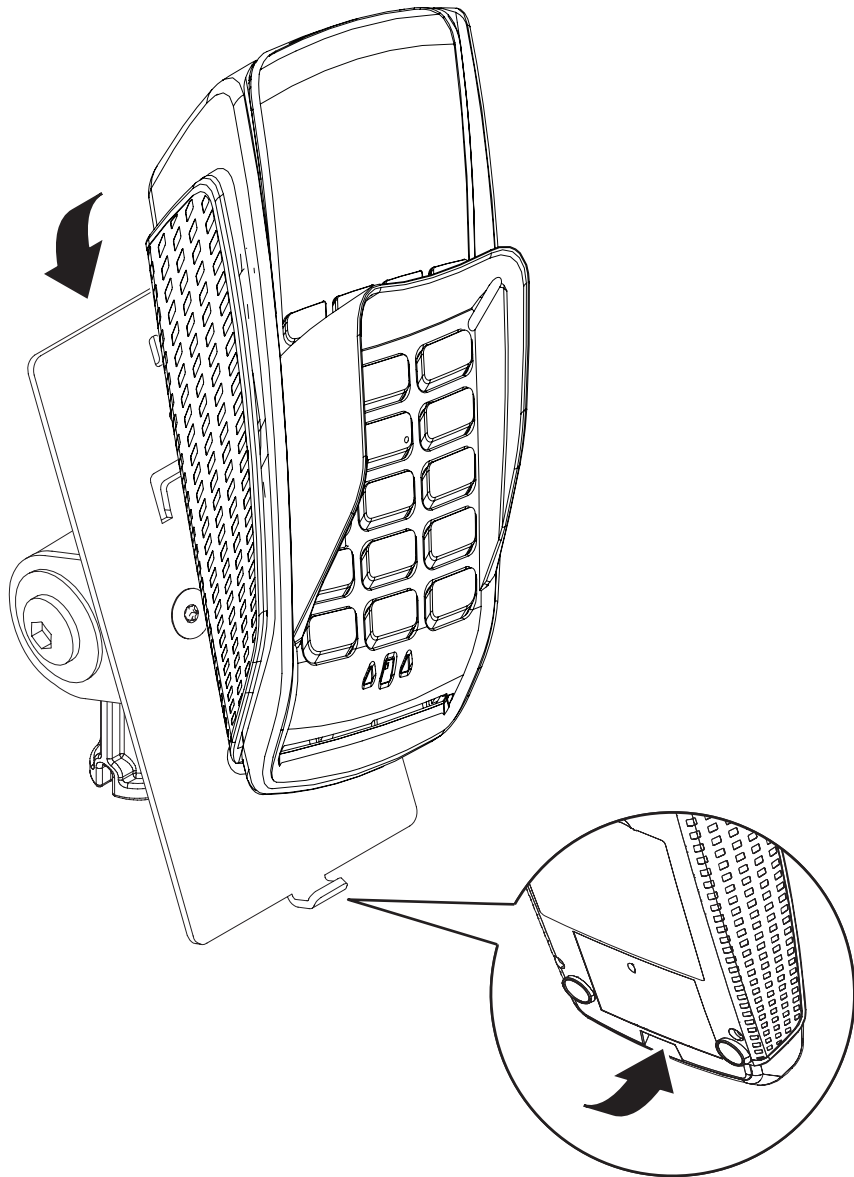


1





3



4

