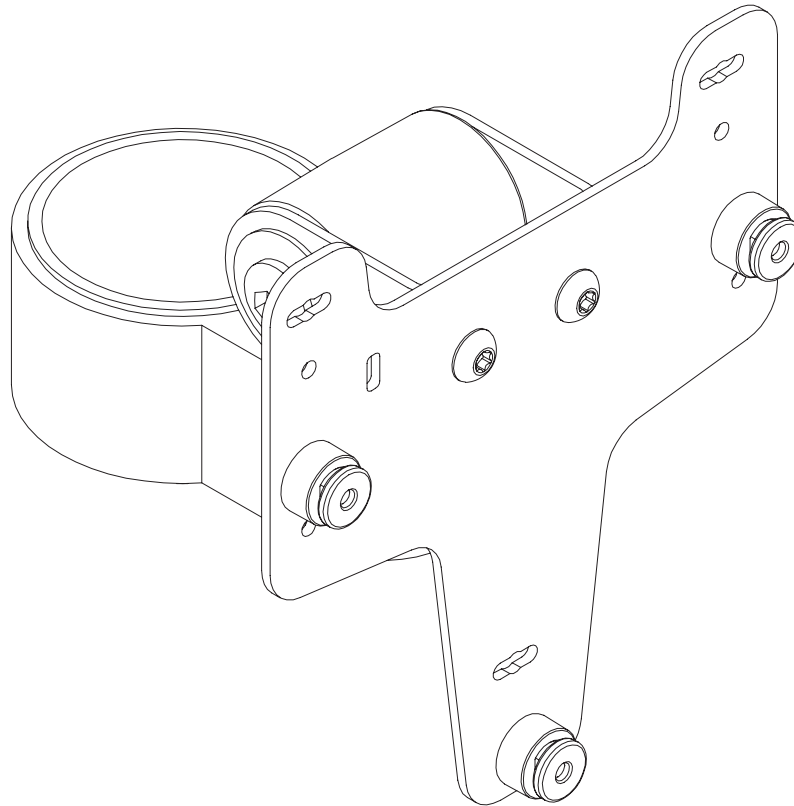


# MNPA10-ISC250-ISC480

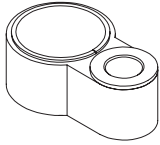
## Installation Instructions

---

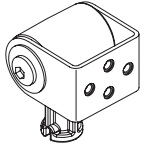


# PARTS LIST

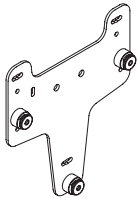
A Mount Yoke 1x  
414351



B Mini Tilter 1x  
416267



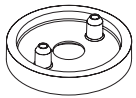
C Ingenico iSC250/480 Adapter Plate 1x  
113808



D Tilt Bracket Screw 2x  
113900



E Dog Washer 1x  
105189



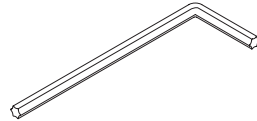
F 10-32 x 3/8" FPhMS w/Lock Patch 1x  
705198



G T15 L-Key 1x  
714904



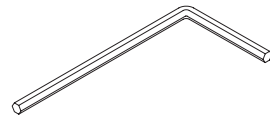
H T25 L-Key 1x  
714899



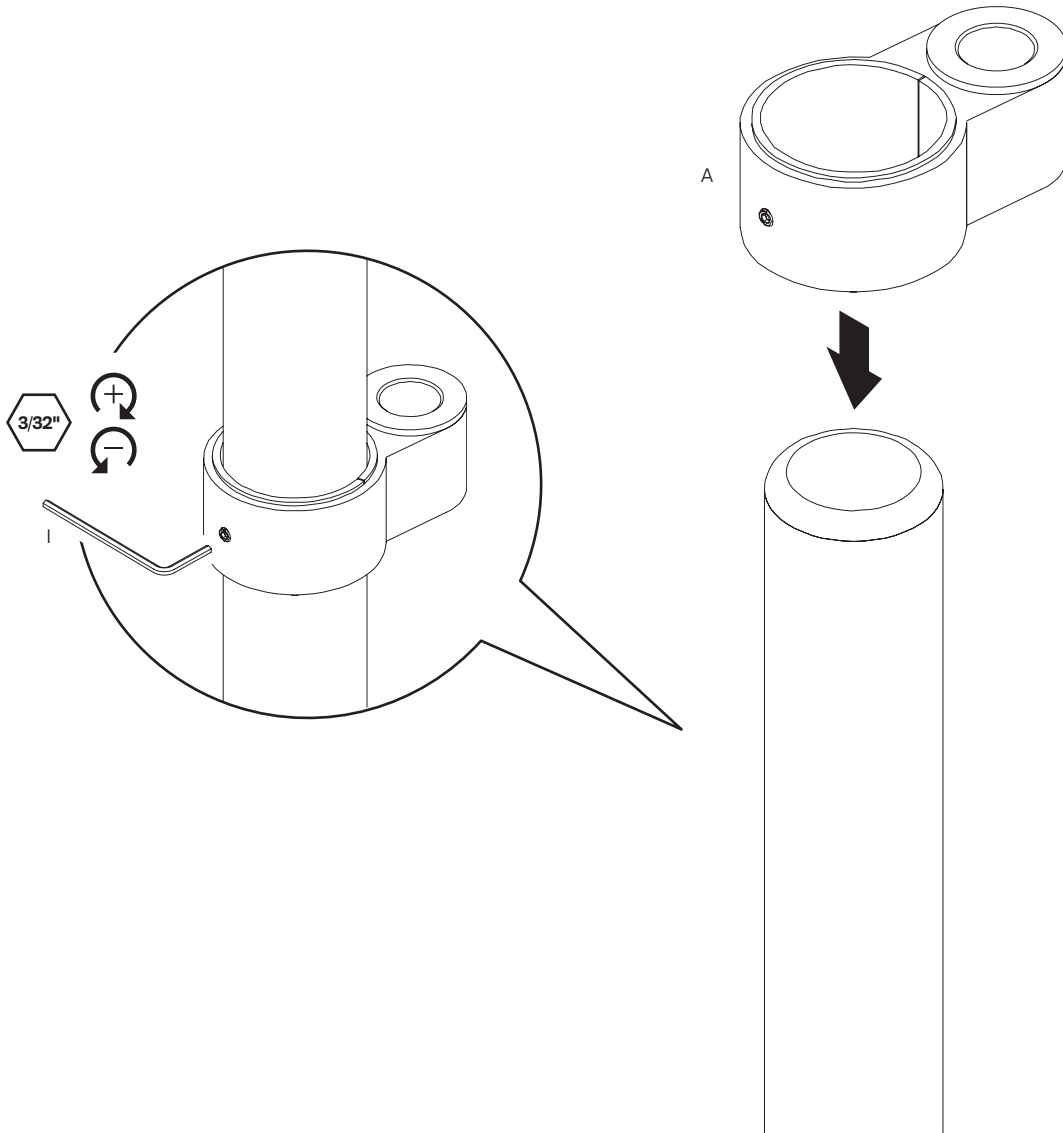
I 3/32" Allen Wrench 1x  
700146

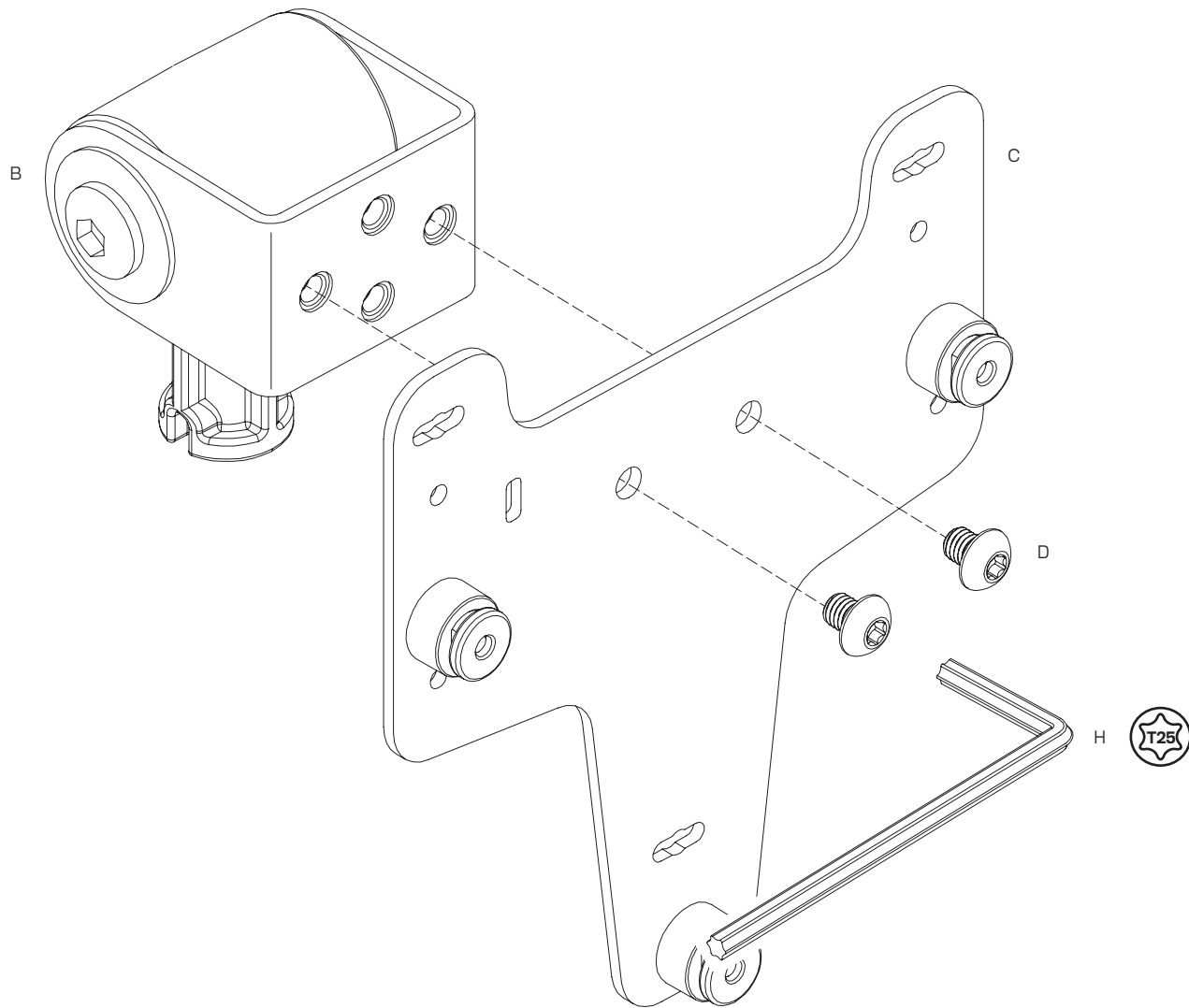


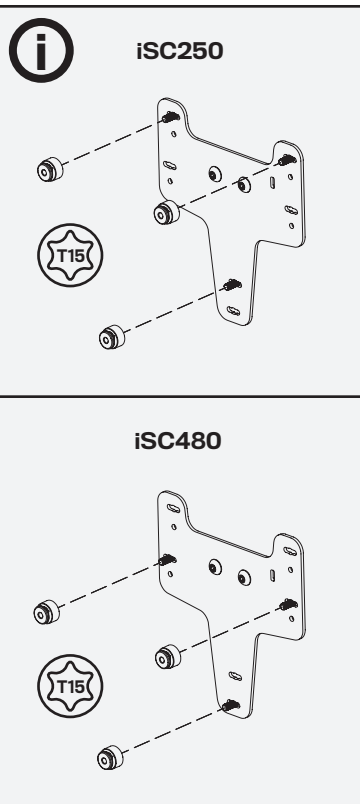
J 7/32" Allen Wrench 2x  
701127



1

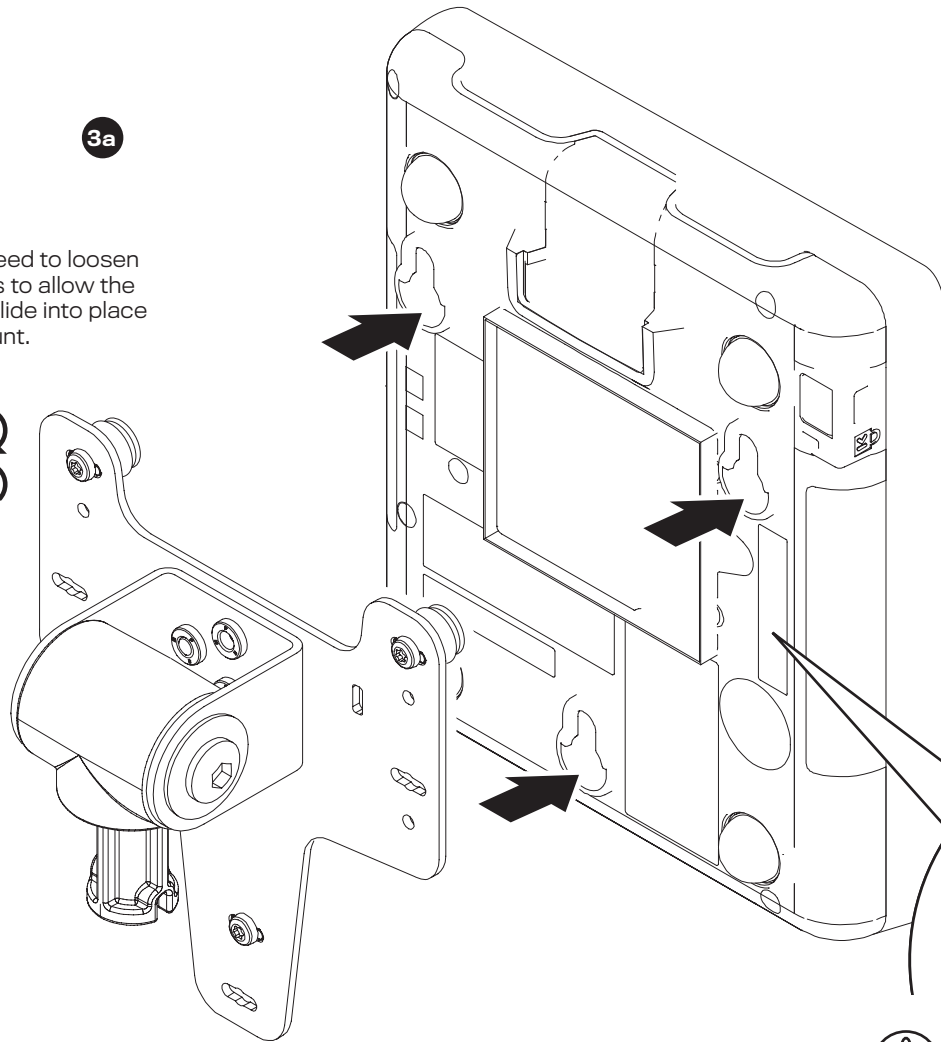






3a

You may need to loosen the screws to allow the device to slide into place on the mount.



3b

