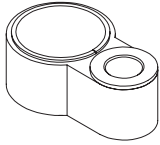
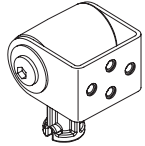


PARTS LIST

A Mount Yoke 1x
414351



B Mini Tilter 1x
416267



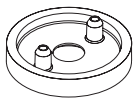
C Verifone M400/MX915 Adapter Plate 1x
414596



D Tilt Bracket Screw 2x
113900



E Dog Washer 1x
105189



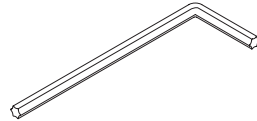
F 10-32 x 3/8" FPhMS w/Lock Patch 1x
705198



G T15 L-Key 1x
714904



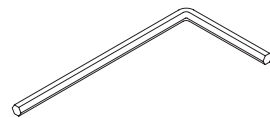
H T25 L-Key 1x
714899



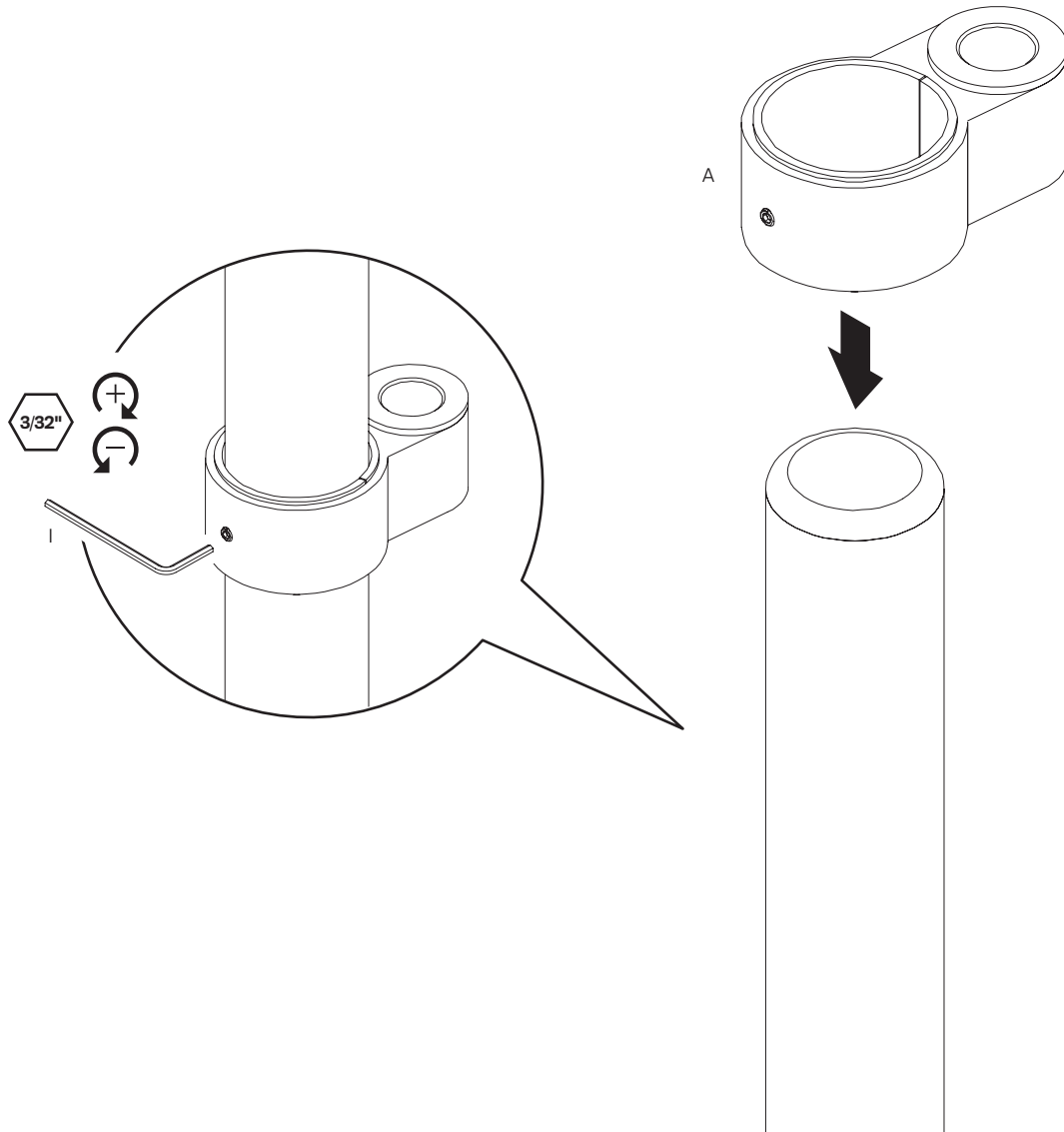
I 3/32" Allen Wrench 1x
700146

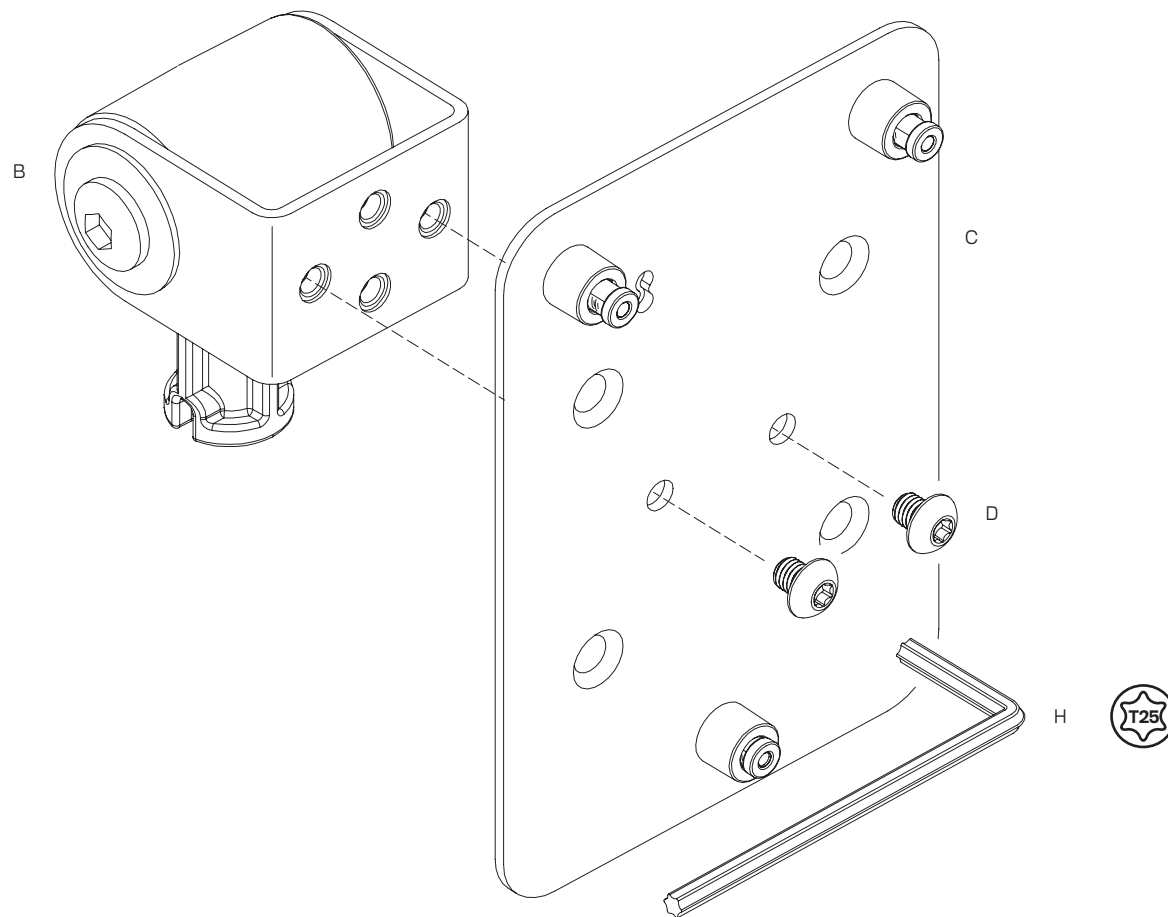


J 7/32" Allen Wrench 2x
701127



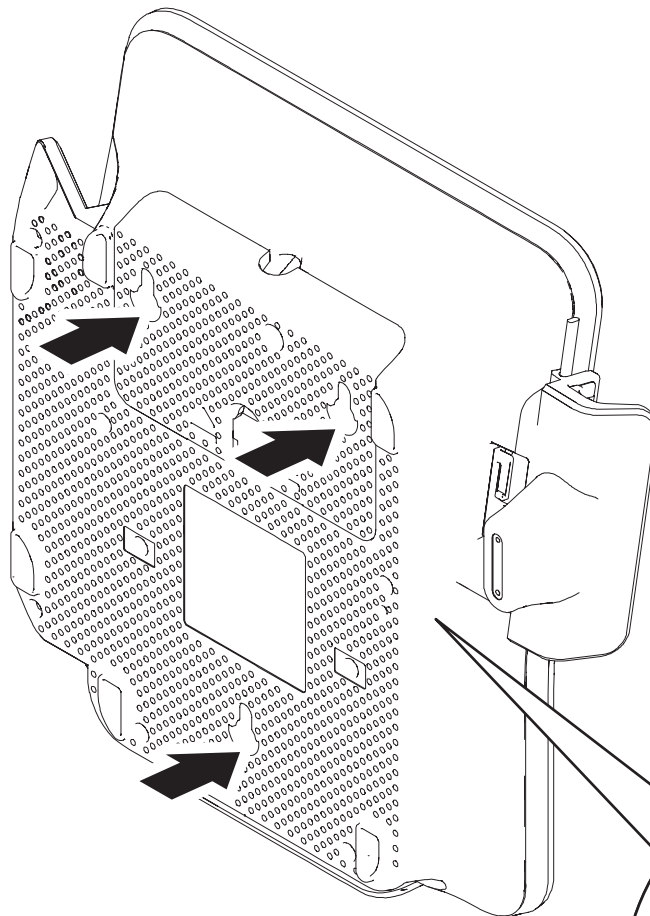
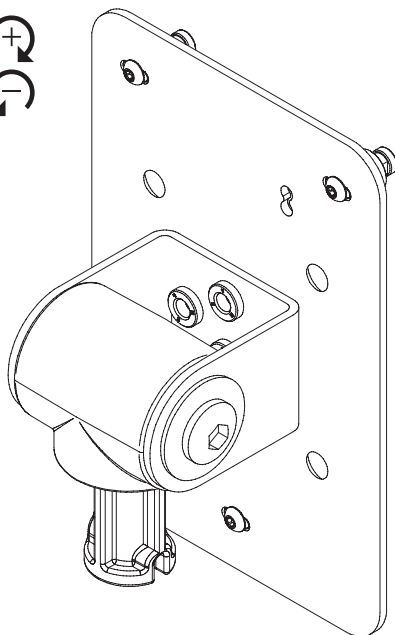
1





3a

You may need to loosen the screws to allow the device to slide into place on the mount.



3b

