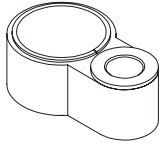
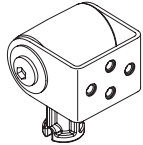


PARTS LIST

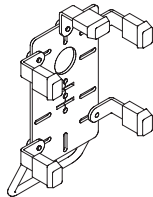
A Mount Yoke 1x
414351



B Mini Tilter 1x
416267



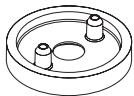
C Universal Adapter Plate 1x
715938



D Tilt Bracket Screw 2x
113900



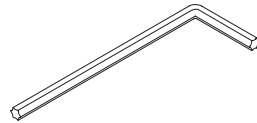
E Dog Washer 1x
105189



F 10-32 x 3/8" FPhMS w/Lock Patch 1x
705198



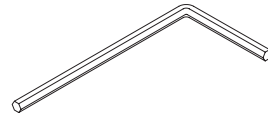
G T25 L-Key 1x
714899



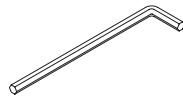
H 3/32" Allen Wrench 1x
700146



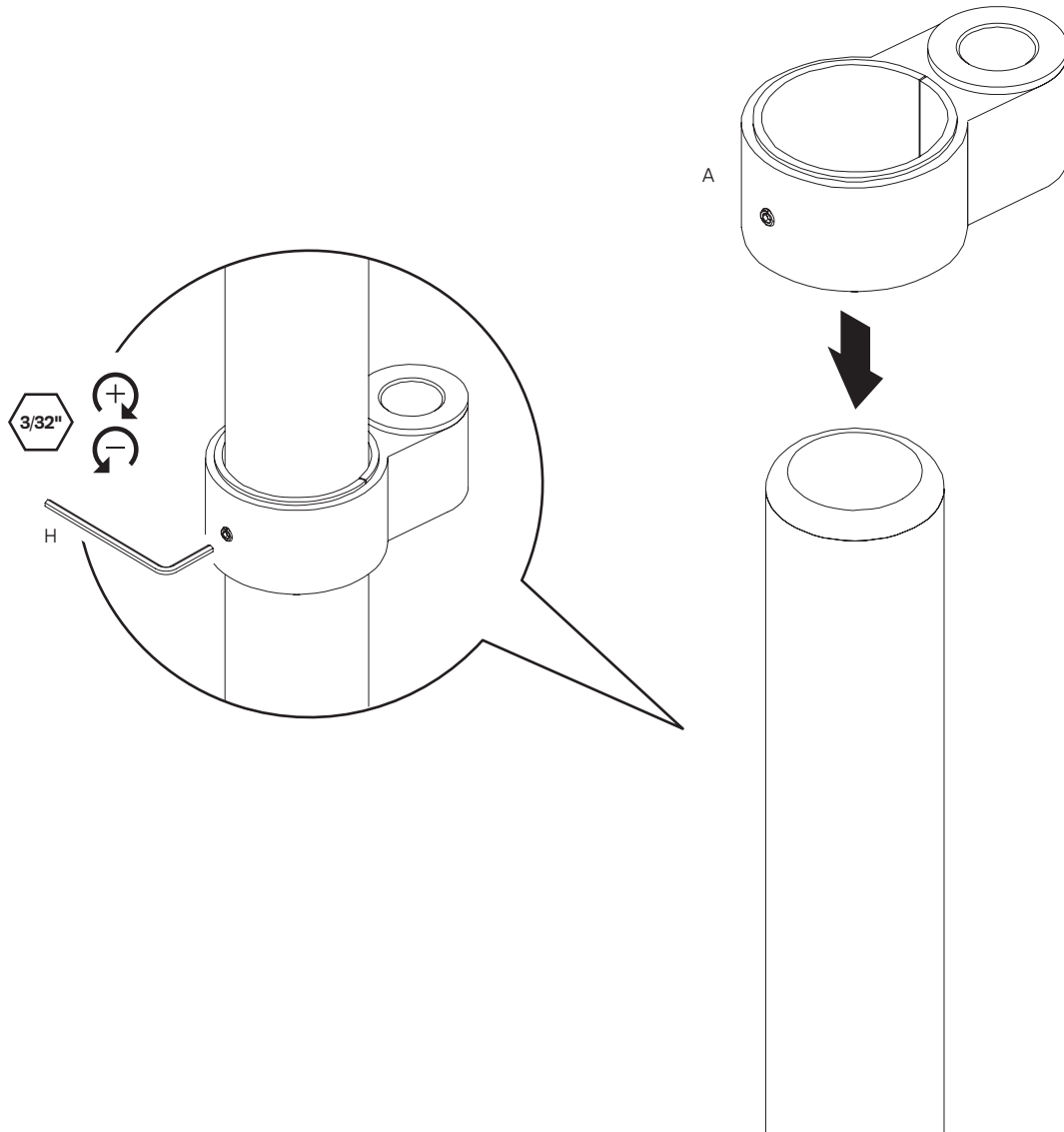
I 7/32" Allen Wrench 2x
701127

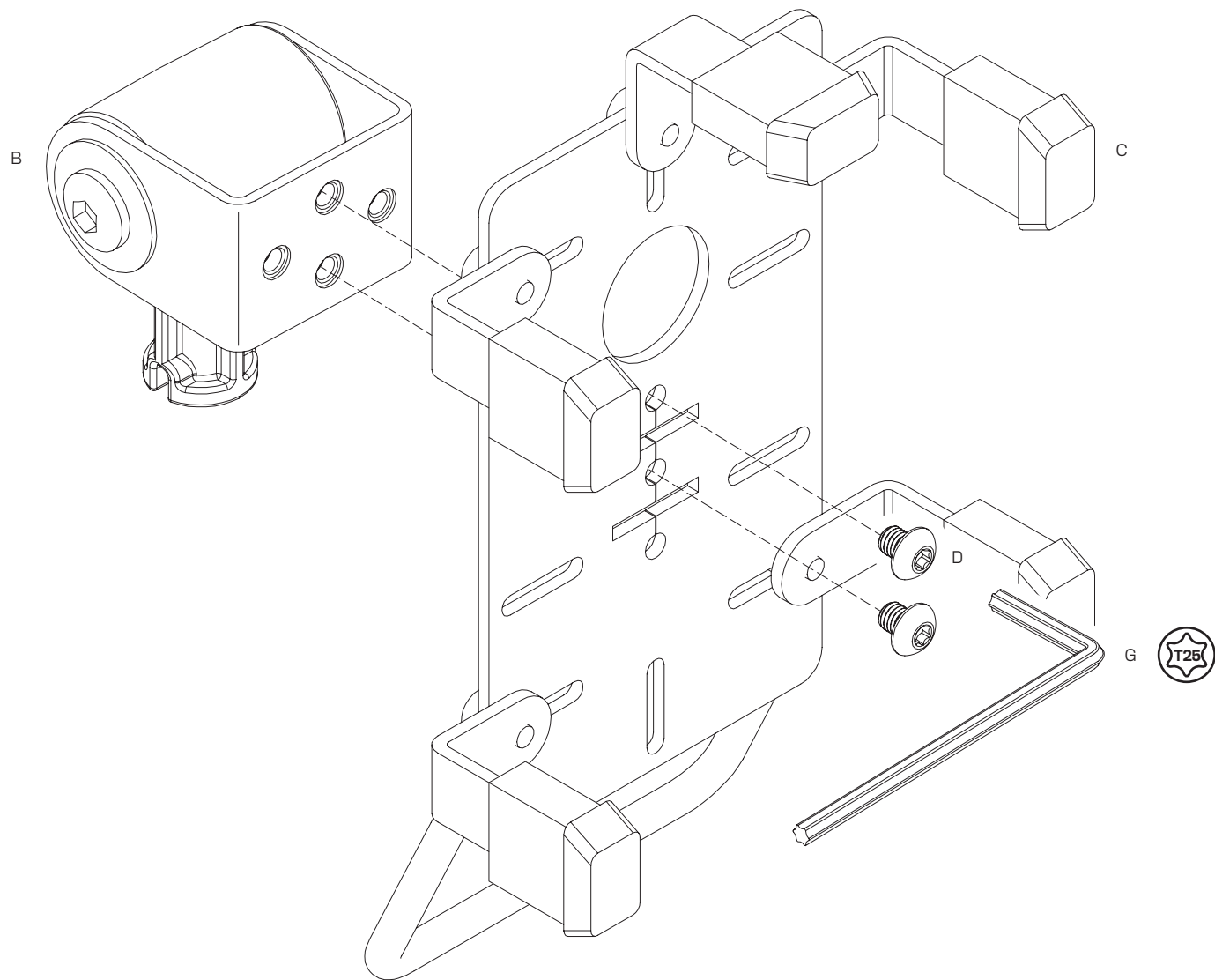


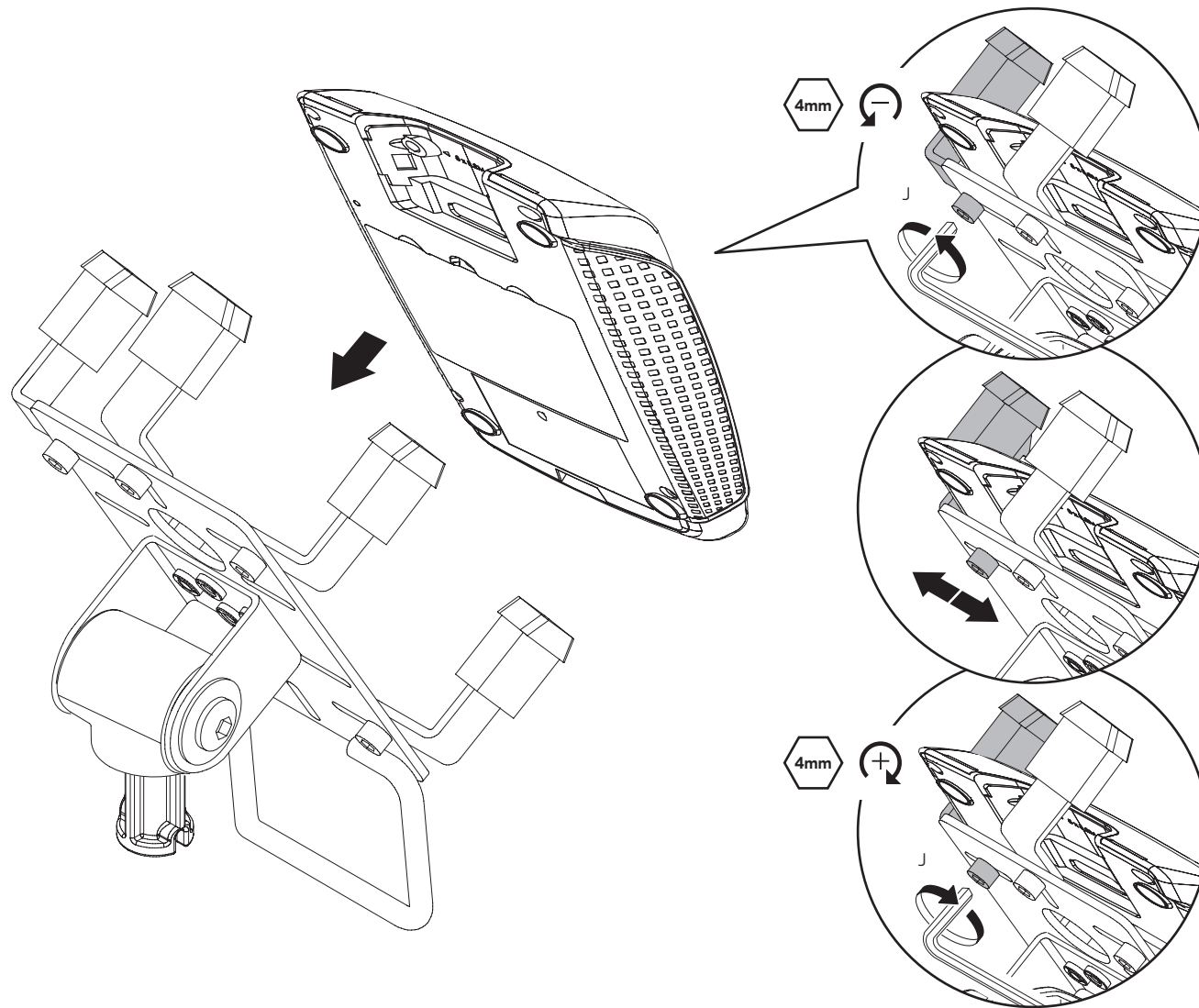
J 4mm Allen Wrench 1x
709877



1







i CLAMP POSITIONS

Clamps can be attached to the various slots shown below to accommodate a variety of payment terminals.

The diagram shows a top-down view of the keypad area with several slots. Arrows point to the following positions: a slot at the top center, two slots on the left side, two slots on the right side, and a slot at the bottom center. Each position is marked with a small icon of a clamp.

