

SA730P(-S)

SmartMount® Articulating Wall Arm For 10"-24" LCD Screens

From any angle, this wall arm mount reflects remarkable form and function. Extending the screen up to 16" from the wall and allowing for a full 180° of side-to-side motion for viewing in any part of the room. Fine-tuning of the installation is simple with its side-to-side screen leveling features that help achieve installation perfection. This articulating arm also provides screen centering on the wall plate and integrates a cable management system, centering the TV on the wall when retracted and organizing and protecting the cables at all times. Designed and built in the USA, this mount maintains the same brilliant look as the entire SmartMount® 700 Series line of Articulating and Pivot Wall Arm Mounts.



Screen size: 10"-24" (25-61cm)



Max load: 25lb (11kg)

FEATURES

- Compatible with 10" to 24" (25-61cm) LCD screens with mounting hole patterns of 75 and 100mm
- Screen can be held as close to the wall as 2.19" (55mm) or be extended as far as 16.06" (408mm)
- Pre-tensioned tilt mechanism offers up to $\pm 35^\circ$ of one-touch tilt
- $\pm 7^\circ$ of roll allow for post installation leveling
- Multi-arm construction allows for a full 180° range of motion
- Screen can be swiveled a full 90°
- Built-in cable management system makes running cables simple while keeping the cables protected
- Screen centers on wall plate for easy mount placement
- UL Listed for up to 25lb (11kg) load capacity



Post installation leveling



Cable management from screen to wall plate protects and organizes cables



Screen centers on wall plate for the ideal screen position when retracted



RoHS
2002/95/EC

MADE IN USA

CLICK: www.peerlessmounts.com

CALL: 800.865.2112

FAX: 708.865.2941

peerless®

SA730P(-S) Articulating Wall Arm for 10"-24" (25-61cm) LCD Screens

Product Specifications

	DIMENSIONS (W x H x D)	PRODUCT WEIGHT	LOAD CAPACITY	FINISH	AVAILABLE COLORS
SA730P(-S)	4.6"-10.5" x 8.05" x 2.19"-16.06" (117-266 x 204 x 55-408mm)	3lb (1.4kg)	25lb (11kg)	Scratch resistant fused epoxy	SA730P: Gloss Black SA730P-S: Gloss Silver

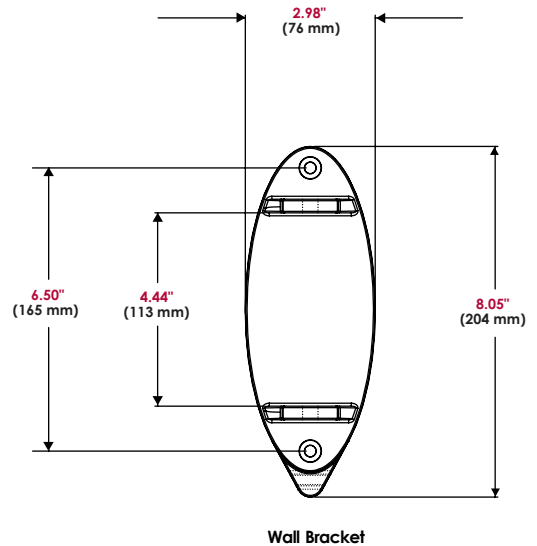
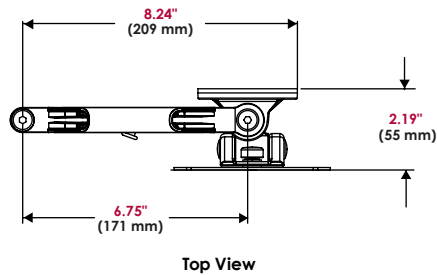
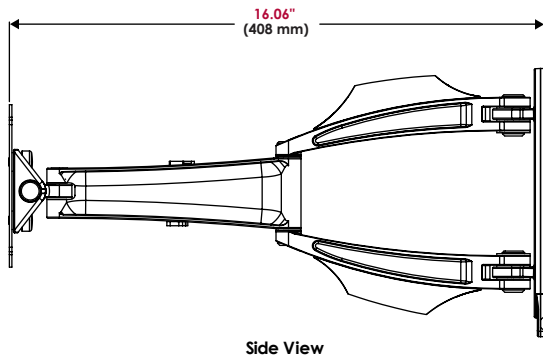
Package Specifications

	PACKAGE SIZE (W x H x D)	PACKAGE SHIP WEIGHT	PACKAGE UPC CODE	PACKAGE CONTENTS	UNITS IN PACKAGE
SA730P(-S)	11.75" x 10" x 2.75" (298 x 254 x 70mm)	3.5lb (1.5kg)	SA730P: 735029237389 SA730P-S: 735029237396	Mount, wall and screen attachment hardware, installation instructions	1

Accessories

- ACC918:** Security Faseteners
- ACC215:** 2-pack Metal Stud Fastener Kit
- WSP700:** Metal Stud Wall Plate for 16" Center Metal Studs
- WSP701:** Metal Stud Wall Plate for 20" and 24" Center Metal Studs

All dimensions = inch (mm)



ARCHITECTS SPECIFICATIONS

The Smartmount Articulating Wall Mount shall be a Peerless model SA730(P,-S) and shall be located where indicated on the plans. It shall feature scratch resistant black or silver fused epoxy finish. Assembly and installation shall be done according to instructions provided by the manufacturer.