

SA735P(-S)

# SmartMount® Articulating Wall Arm For 10"-26" Flat Panel Screens

From any angle, this wall arm mount reflects remarkable form and function. Extending the screen up to 16" from the wall and allowing for a full 180° of side-to-side motion for viewing in any part of the room. Fine-tuning of the installation is simple with its side-to-side screen leveling features that help achieve installation perfection. This articulating arm also provides screen centering on the wall plate and integrates a cable management system, centering the TV on the wall when retracted and organizing and protecting the cables at all times. Designed and built in the USA, this mount maintains the same brilliant look as the entire SmartMount® 700 Series line of Articulating and Pivot Wall Arm Mounts.



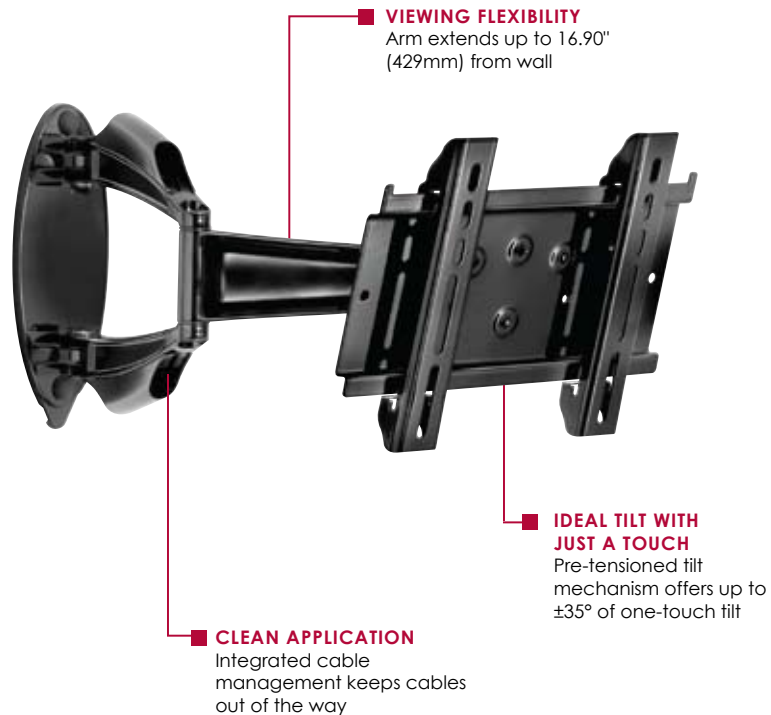
Screen size: 10"-26"



Max load: 25lb (11kg)

## FEATURES

- Universal screen adapters provide compatibility for screens with up to a VESA® 200 x 100mm mounting hole pattern
- Arm extends up to 16.90" (429mm) from wall
- Three adjustable pivot points for versatile screen positioning
- Pre-tensioned tilt mechanism offers up to ±35° of one-touch tilt
- ±7° roll aide in post installation screen leveling
- Integrated cable management keeps cables out of the way
- Fold-flat-and-center design that positions the screen centered on the wall plate when the mount is collapsed



Arm retracts to just 3.03" (77mm) and extends up to 16.90" (429mm) from wall



Post installation leveling



Cable management from screen to wall plate protects and organizes cables



RoHS



CLICK: [www.peerlessmounts.com](http://www.peerlessmounts.com)

CALL: 800.865.2112

FAX: 708.865.2941

peerless®

**SA735P(-S)** Articulating Wall Arm for 10"-26" Flat Panel Screens

**Product Specifications**

	<b>DIMENSIONS (W x H x D)</b>	<b>PRODUCT WEIGHT</b>	<b>LOAD CAPACITY</b>	<b>FINISH</b>	<b>AVAILABLE COLORS</b>
<b>SA735P(-S)</b>	12.08" x 8.05" x 3.03"-16.90" (307 x 204 x 77-429mm)	4lb (1.8kg)	25lb (11kg)	Scratch resistant fused epoxy	SA735P: Gloss black SA735P-S: Gloss silver

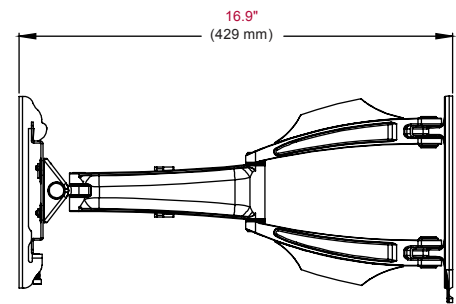
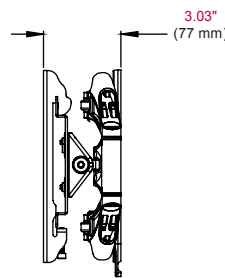
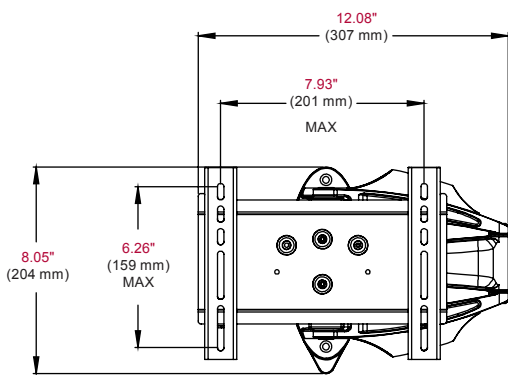
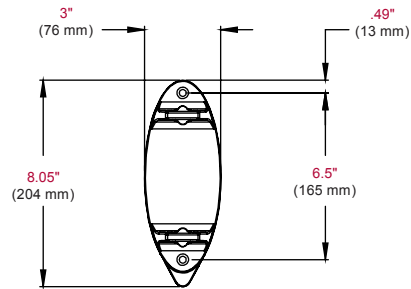
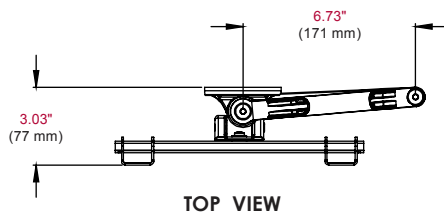
**Package Specifications**

	<b>PACKAGE SIZE (W x H x D)</b>	<b>PACKAGE SHIP WEIGHT</b>	<b>PACKAGE UPC CODE</b>	<b>PACKAGE CONTENTS</b>	<b>UNITS IN PACKAGE</b>
<b>SA735P(-S)</b>	10.5" x 3.25" x 14.5" (267 x 83 x 368mm)	4.2lb (1.9kg)	SA735P: 735029269762 SA735P-S: 735029269724	Mount, screen and wall mounting hardware	1

**Accessories**

- ACC919:** Security Fasteners
- ACC215:** 2-pack Metal Stud Fastener Kit
- WSP700:** Metal Stud Wall Plate for 16" Center Metal Studs
- WSP701:** Metal Stud Wall Plate for 20" and 24" Center Metal Studs

All dimensions = inch (mm)



**ARCHITECTS SPECIFICATIONS**

The Articulating Wall Mount shall be a Peerless model SA735P(-S) and shall be located where indicated on the plans. Assembly and installation shall be done according to instructions provided by the manufacturer. Mount is made of scratch resistant epoxy black or silver finish.