

Item Number _____

RAM-VB-181 & RAM-VB-181-SW1

RAM Drill Seat Bases

RAM Mounting Systems

SPECIFICATIONS

Placement

Flat, vertical surface

Drilling Required

Yes

Pole or Pedestal

Included

Seat Configuration

ALL

Weight

2.2 lbs.

Construction/Finish

Steel/Black Powdercoat

Base Dimensions

A = 3", B = 7.5", C = 2.029",
Hole Centers = 3.34"

Back Plate Dimensions

A = 3.25", B = 1.5", Hole Centers = 2"

Misc.

RAM-VB-181 can be mounted on both sides of RAM 9", 13", 17" and 21" Console Boxes.

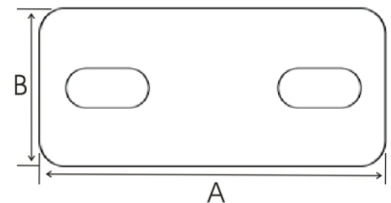
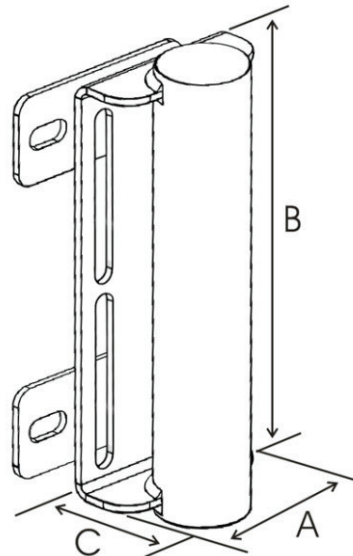
Rugged Steel Construction
Lifetime warranty

RAM Mounting Systems

8410 Dallas Ave S
Seattle, WA 98108
Phone: (206) 763-8361
Fax: (206) 763-9615
www.rammount.com
support@rammount.com



RAM-VB-181-SW1



RAM-VB-181



RAM[®] MOUNTS[®]

RMR-INS-VB-181

Item Number _____

RAM-VB-181 & RAM-VB-181-SW1

RAM Drill Seat Bases

RAM Mounting Systems

INSTALLATION INSTRUCTIONS

1. Place base on vertical flat surface so that the pedestal is in the optimum location.
2. Mark the mounting hole locations. Please note that it might be necessary to shim a corner of the mounting base if the mounting surface is uneven.
3. Drill 17/32" holes in surface at all of the marked locations. Be extremely careful not to damage any equipment behind mounting surface when drilling.
4. Tighten base in place using bolts, washers, and nuts. If the surface is less than 1/4" thick, please use fender washers on the back of mounting surface to help distribute the weight.



In Vehicle Facing Driver



On RAM Console Box



In Vehicle Facing Passenger

RAM Mounting Systems
8410 Dallas Ave S
Seattle, WA 98108
Phone: (206) 763-8361
Fax: (206) 763-9615
www.rammount.com
support@rammount.com



RMR-INS-VB-181