

# Installation Instructions

# Spacedec

Spacedec Freestanding Triple

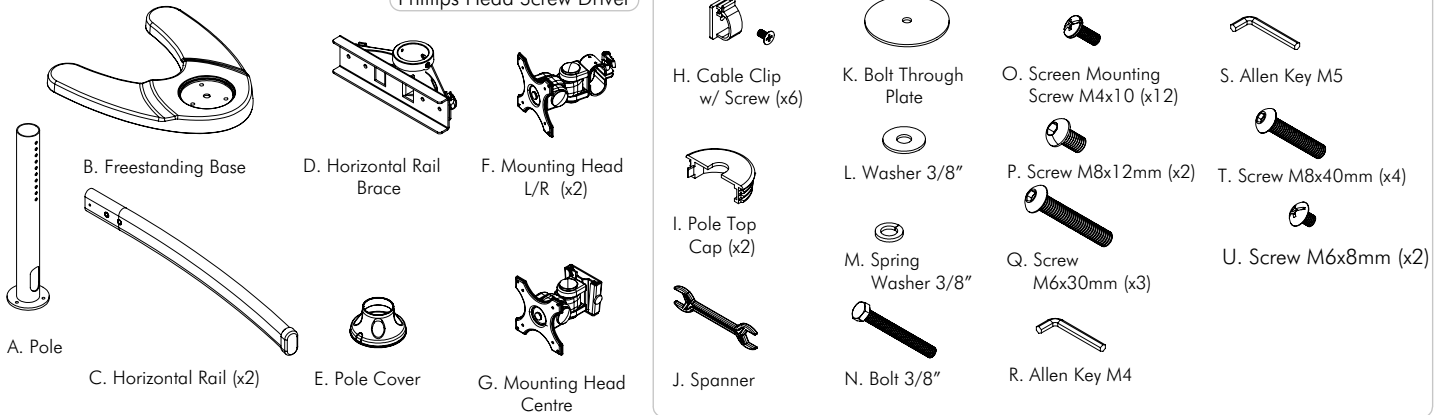
## Component Checklist

Check you have received all parts against the component checklist and Hardware.

### Tools Required:

Phillips Head Screw Driver

### Hardware:

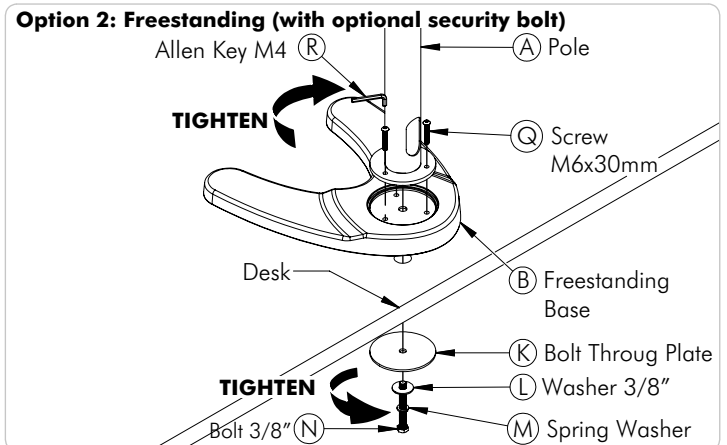
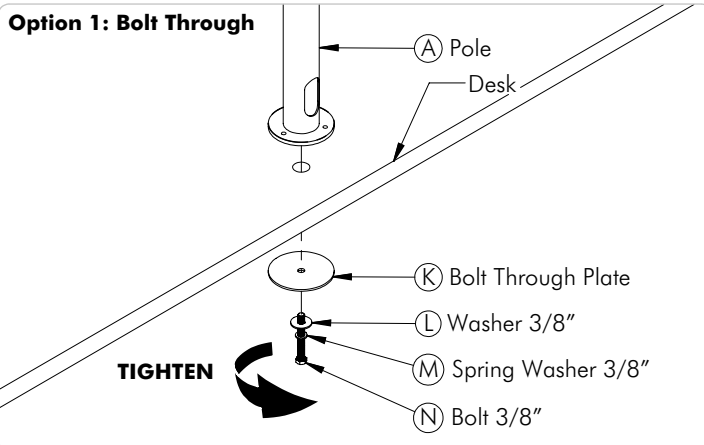


## IMPORTANT INFORMATION:

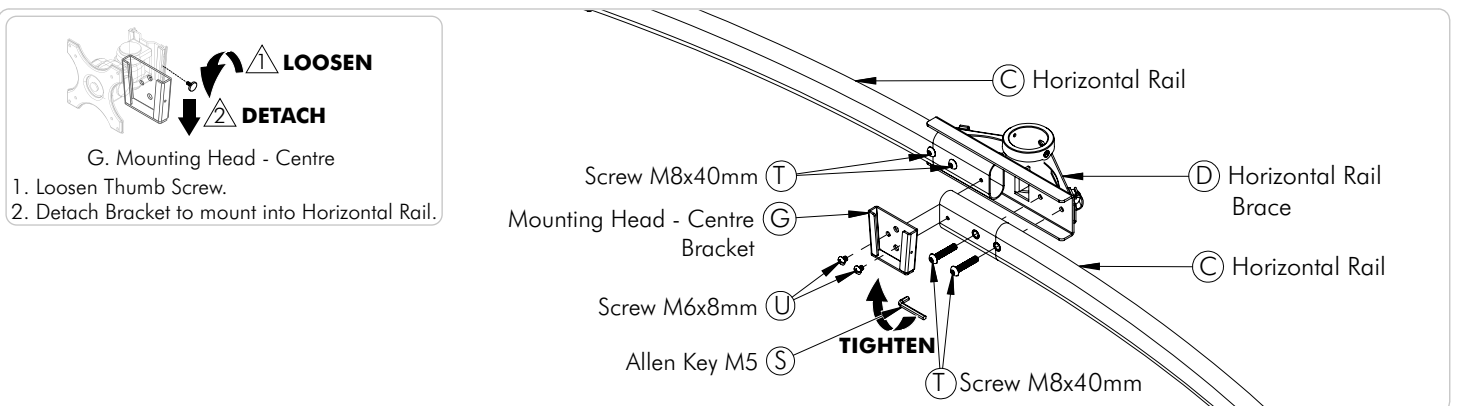
### ! IMPORTANT - Install Spacedec Free Standing Triple as per Installation Instructions.

- ! This product supports a maximum load of 8kg (17.5lbs) in each screen.
- ! This product supports VESA mounting hole configurations: 75x75mm and 100x100mm.
- ! This product is designed to support three screens of similar weight & size when configured to use the freestanding base.
- ! Using less than three screens may result in the stand becoming unbalanced & unstable.
- ! The manufacturer accepts no responsibility for incorrect installation.

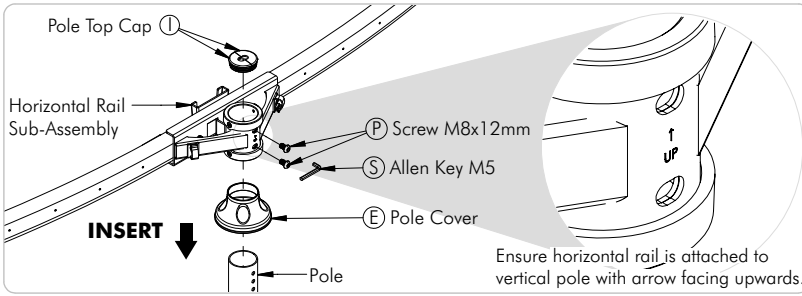
## Step 1. Install the Pole to the desk.



## Step 2. Assemble Horizontal Support Rail.

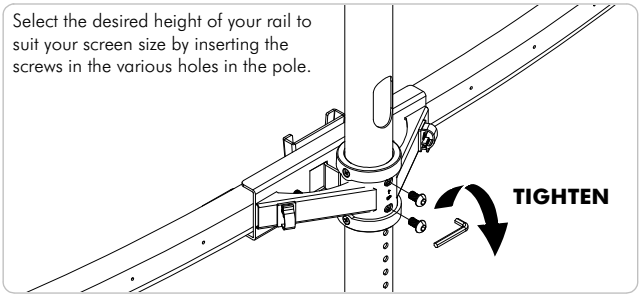


### Step 3. Install Horizontal Rail to the Pole.

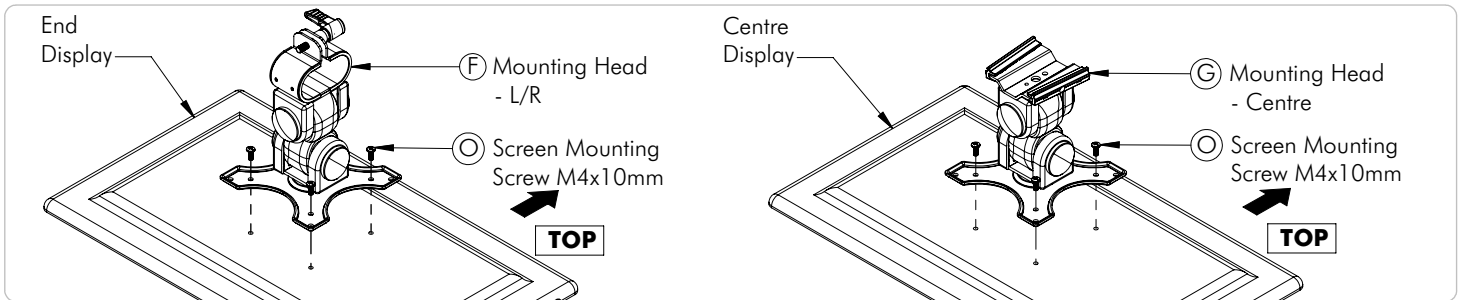


### Step 4. Adjust Horizontal Rail Position.

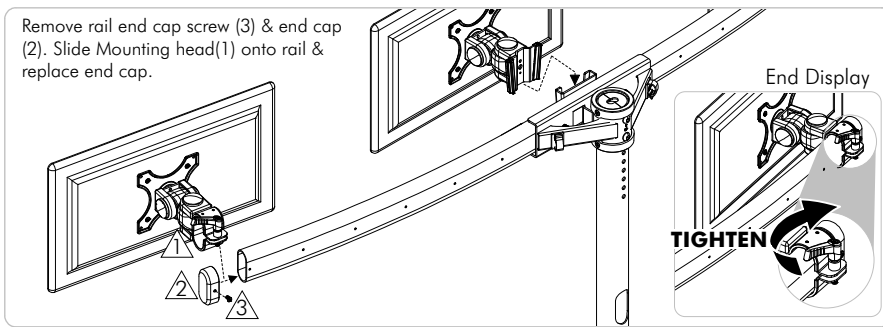
Select the desired height of your rail to suit your screen size by inserting the screws in the various holes in the pole.



### Step 4. Fasten Display to Mounting Heads.

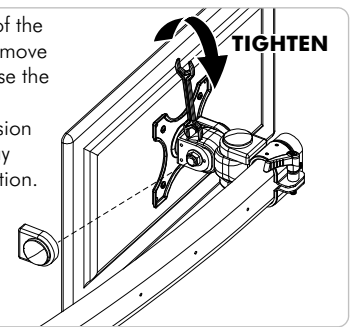


### Step 6. Attach Display to Horizontal Rail.

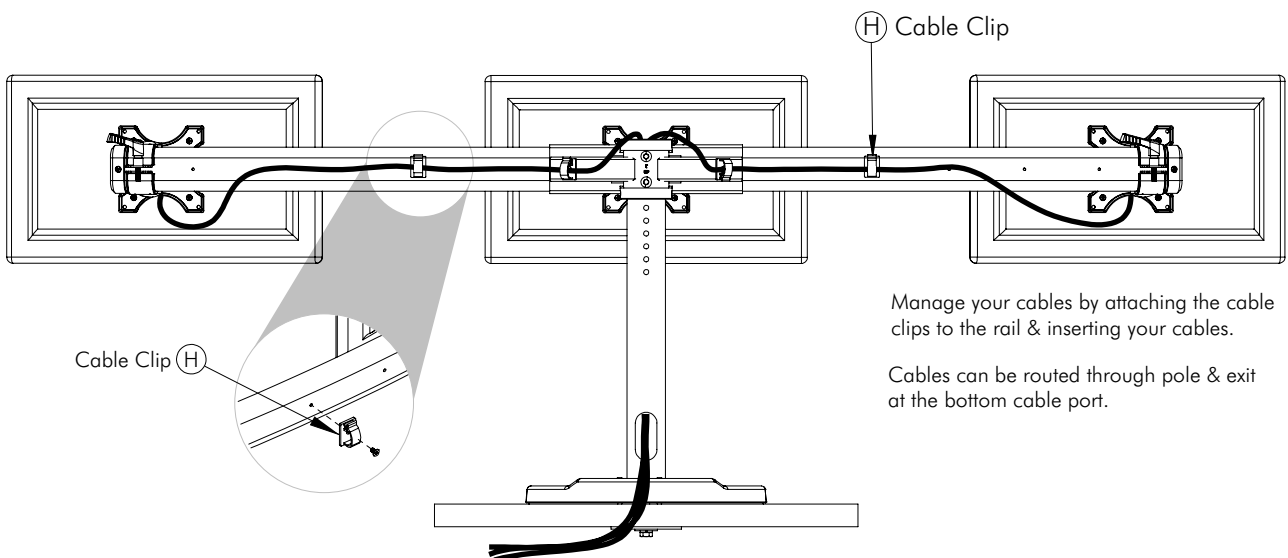


### Step 7. Adjust Display Tilt Tension.

To adjust the tension of the tilt mechanism, first remove the cover cap to expose the tilt nut then using the spanner supplied, tension the nut until the display holds the desired position. Replace cover cap.



### Step 8. Cable Management



### Installation Complete

