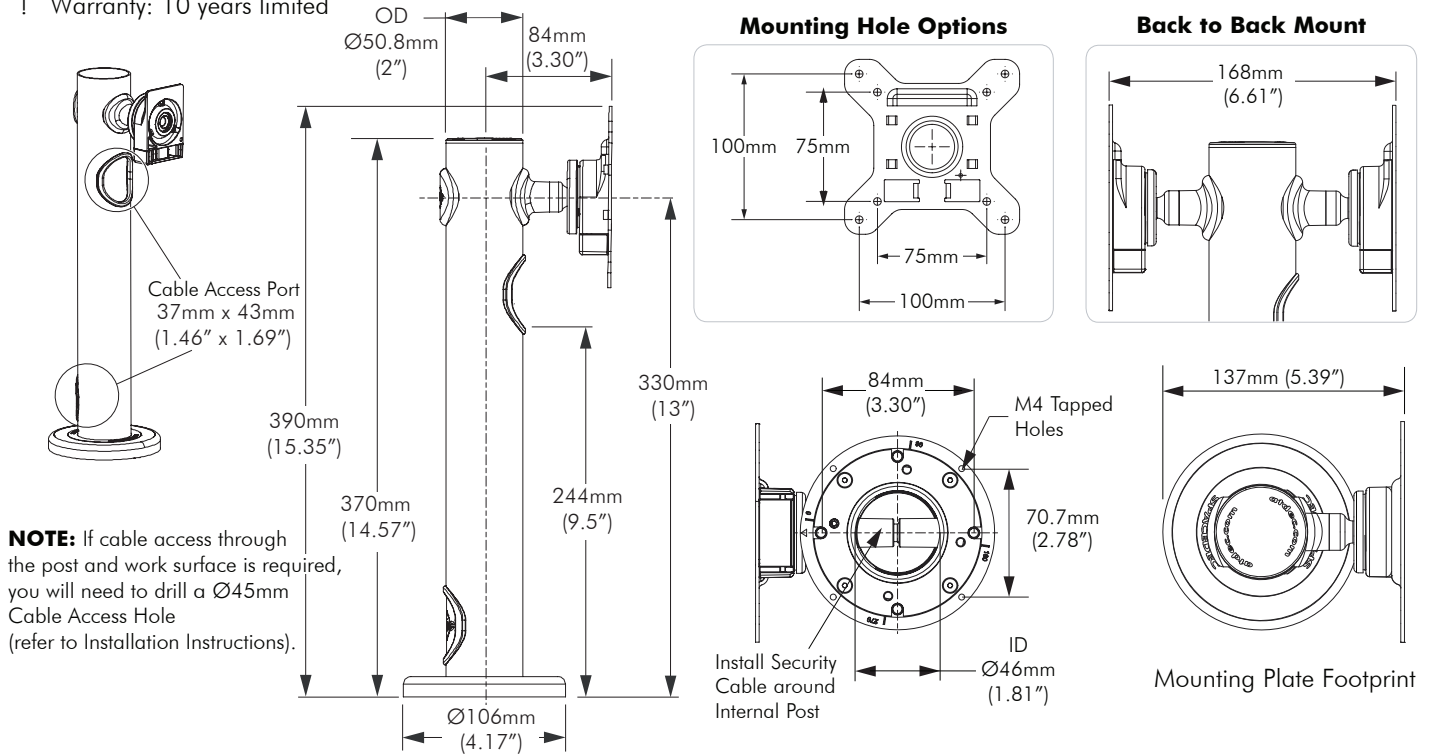


Dimensions

NOTE:

- ! This product has been designed to mount VESA compliant displays with 75mmx75mm and 100mmx100mm hole patterns only.
- ! It will support displays up to a maximum weight of 20kg (44lbs). The Back-to-Back Mount will support 2x20kg (88lbs) displays.
- ! Warranty: 10 years limited

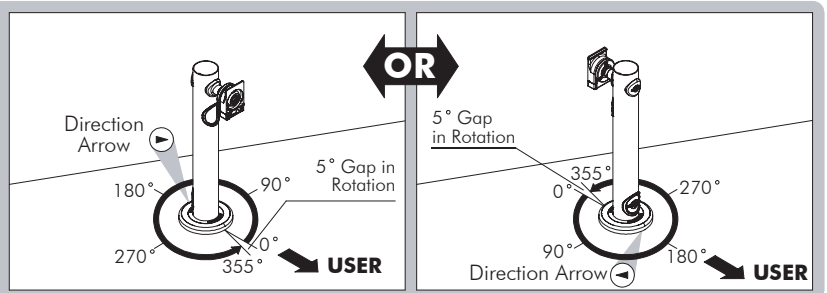


Mounting Options

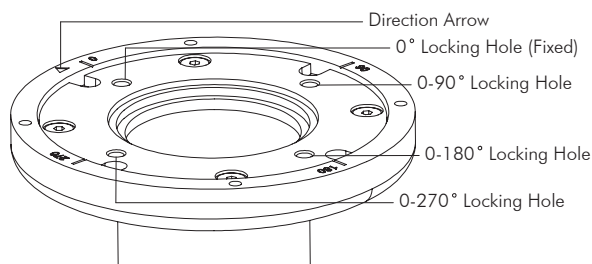
Your POS Multi offers 355° of Rotation. This can also be limited to suit a specific application. The direction in which you mount POS Multi will determine where the 5° gap in rotation is located, and how you choose to limit the rotation.

Rotation Options

- 0° Rotation (Fixed)
- 0-90° Rotation
- 0-180° Rotation
- 0-270° Rotation
- 0-355° Rotation



LOCKING HOLES (Refer to Installation Instructions for further details)



VESA Ball Mount

Each Ball Assembly has a 40° range of movement.

