

SYSTEMA

Systema Range

General Features

Consist of:

- 1X SA46
- 1X SW35
- 1X SNT

Colours:

Silver and Anodised Aluminium

Max Load w/Monitor:

12kg (26.46 lbs) per arm

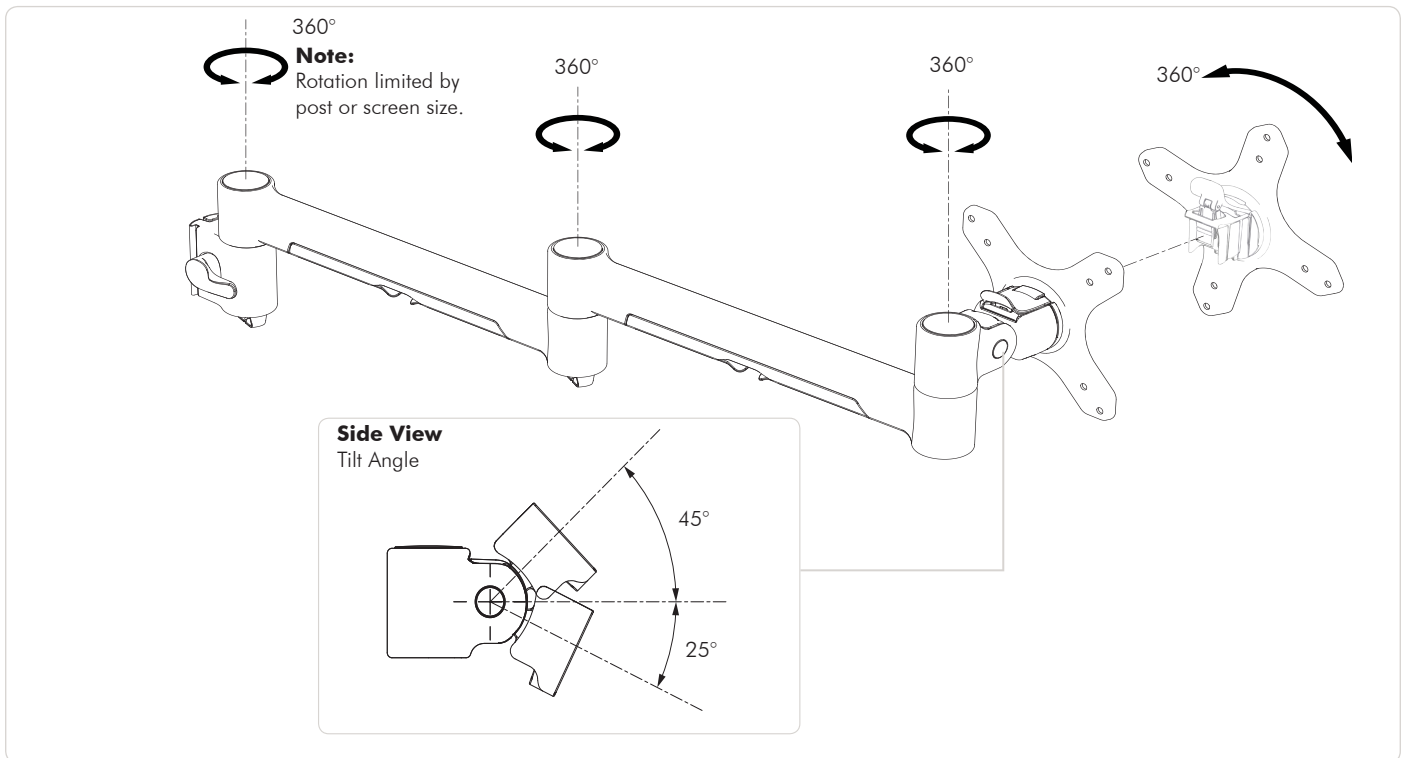
Warranty:

10 years limited

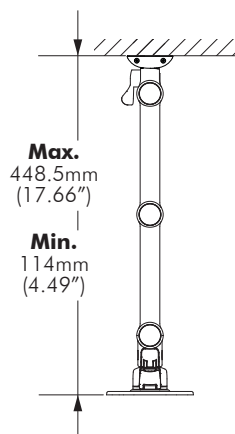
Max Load w/Notebook:

8kg (17.64 lbs) per arm

Range Of Movement

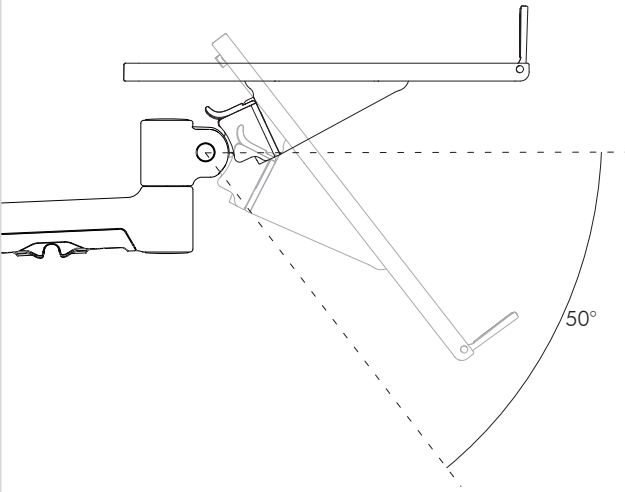


Wall Channel
(Maximum Extension shown)

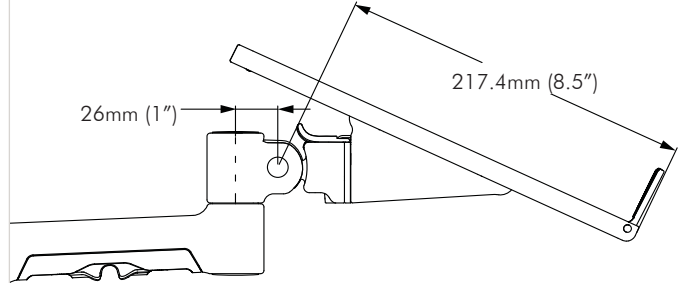


Tray Dimensions

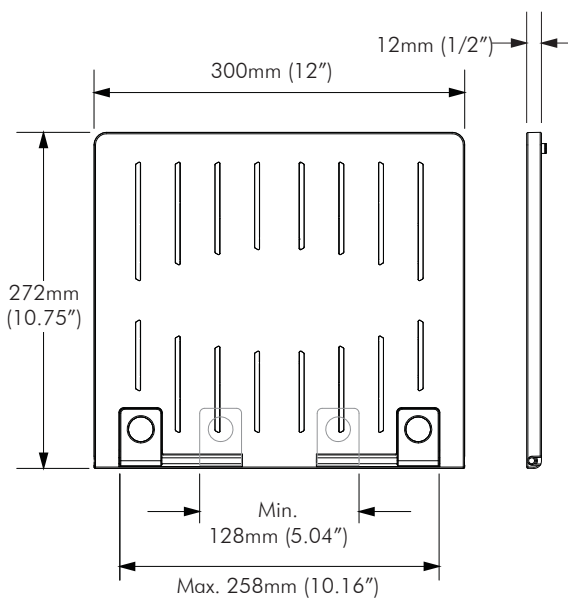
Tilt Adjustment



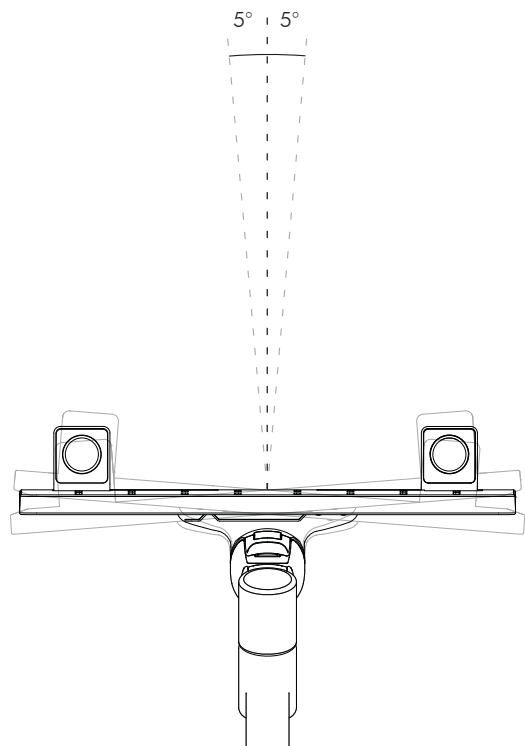
Distance from pivot point



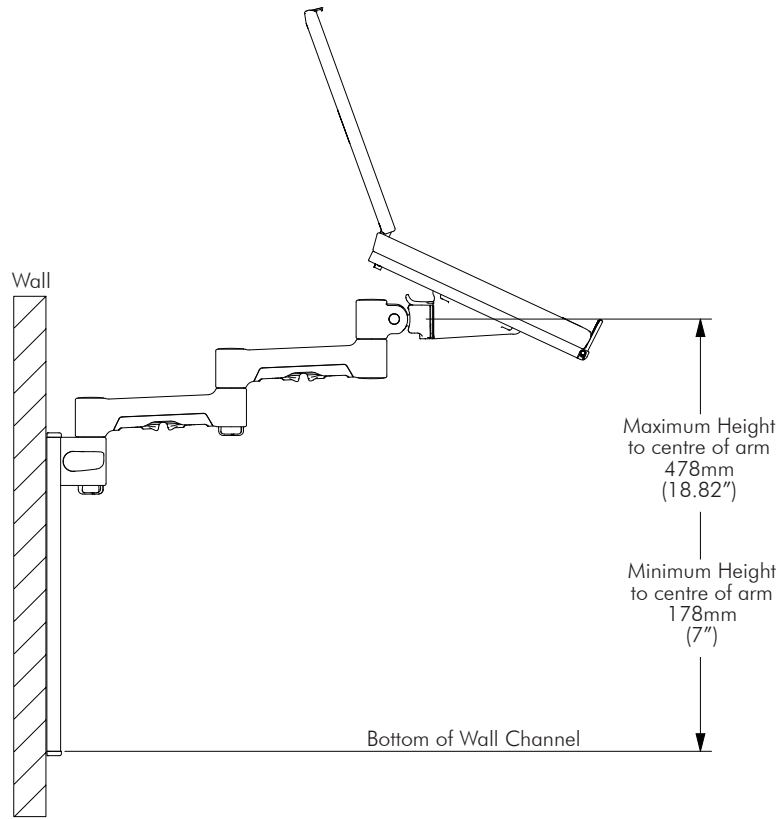
Tray Dimensions



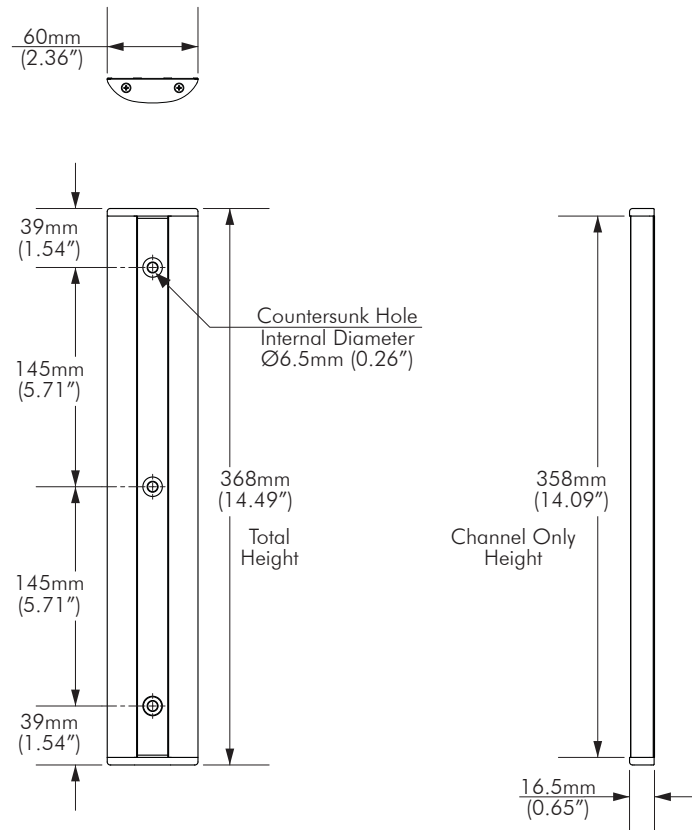
Fine Adjustment



Side View



Wall Channel Dimensions



VESA Mounting Bracket

