

SYSTEMA

Systema Range

General Features

Consist of:

- 1X SS
- 1X SW6
- 1X SNT

Colours:

Silver and Anodised Aluminium

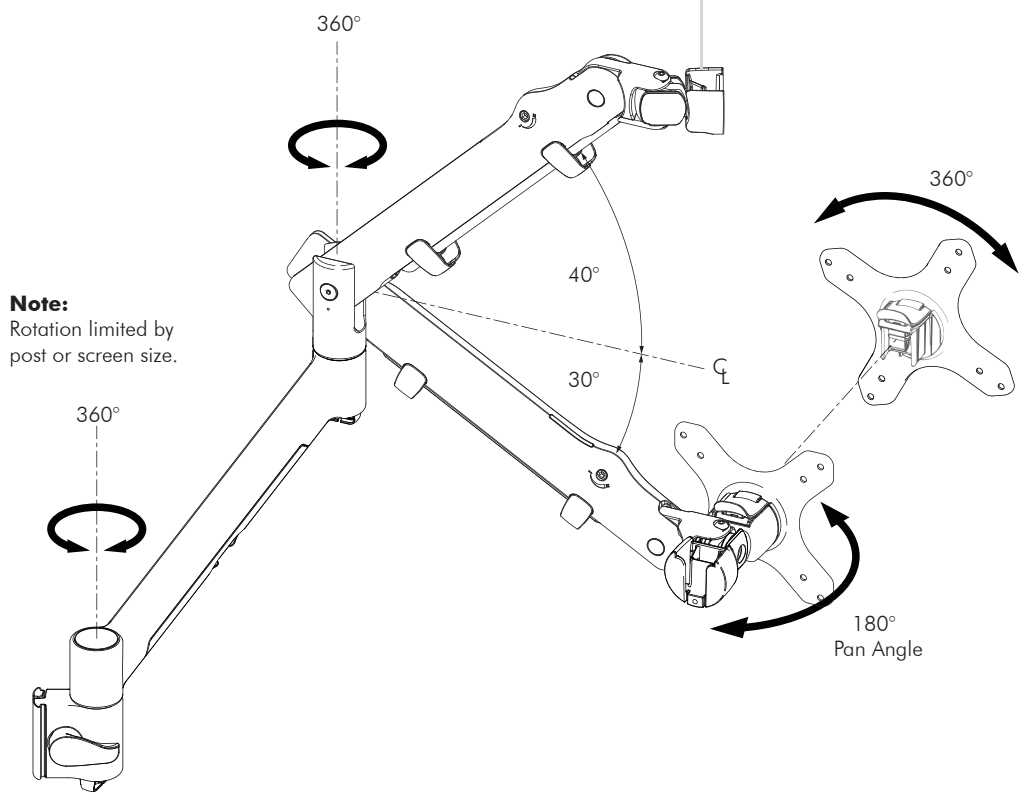
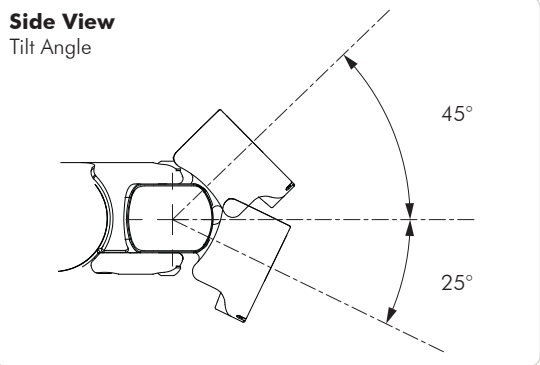
Max Load:

8kg (17.64 lbs) per arm

Warranty:

10 years limited

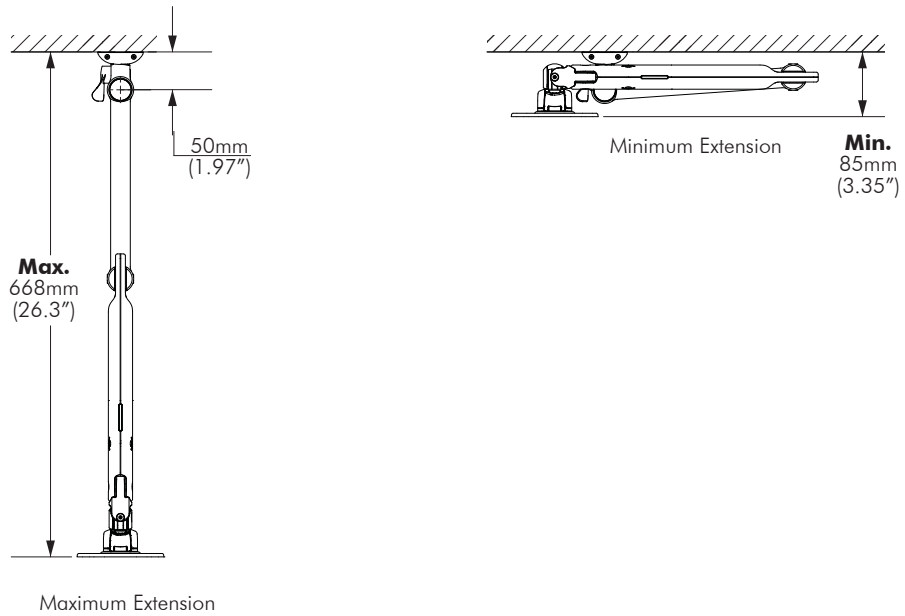
Range Of Movement



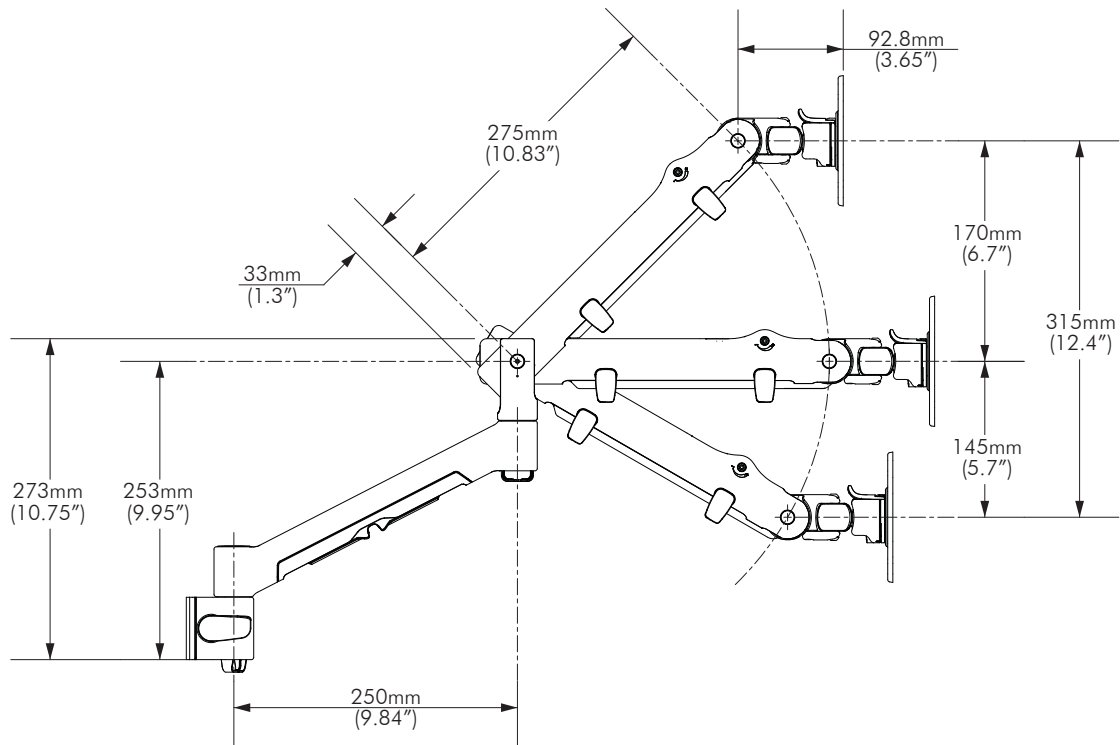
Note:
Rotation limited by post or screen size.

Monitor Spring Arm | Range of Movement - Arm Extension

Wall Channel

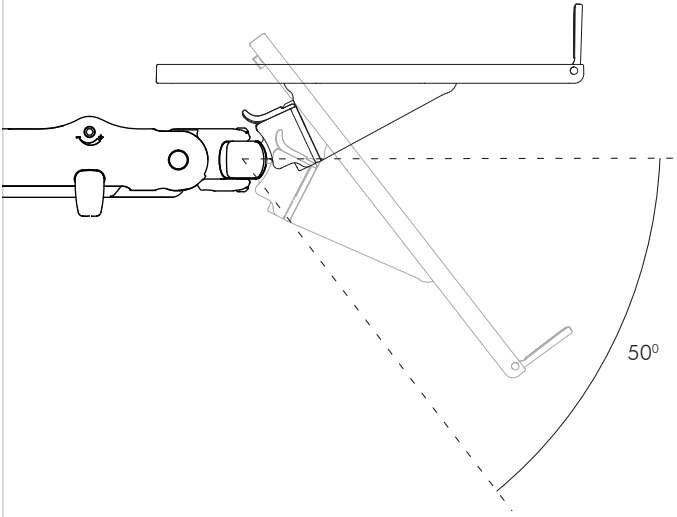


Monitor Spring Arm | Range of movement - Arm Dimensions

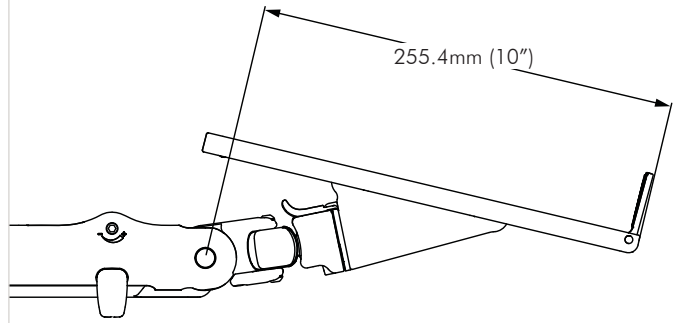


Tray Dimensions

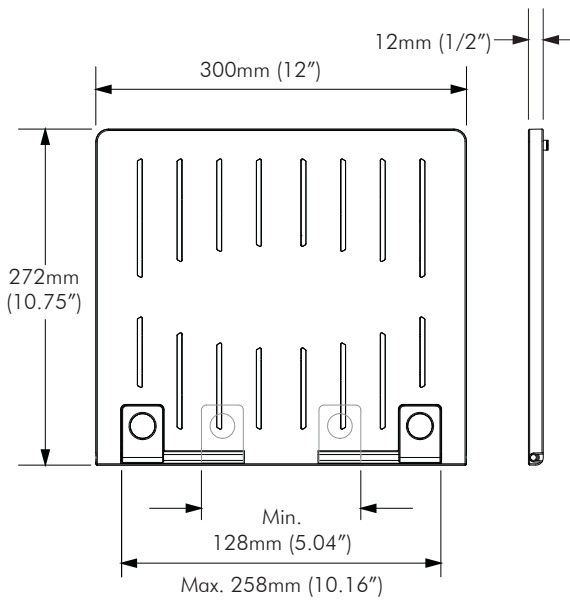
Tilt Adjustment



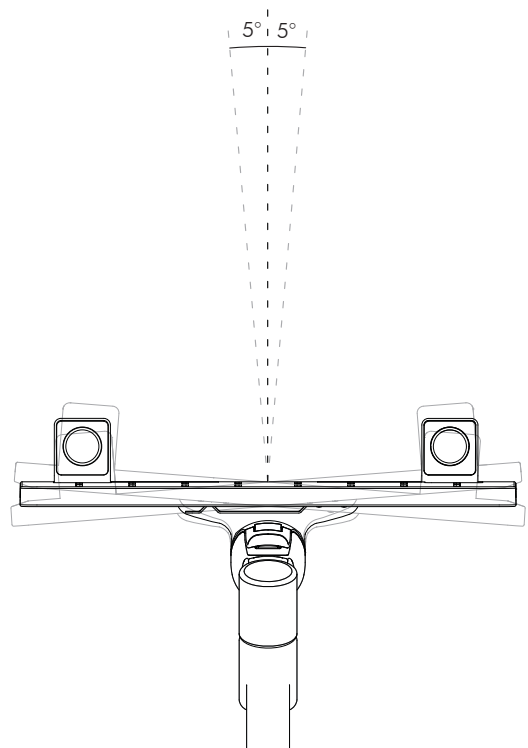
Distance from pivot



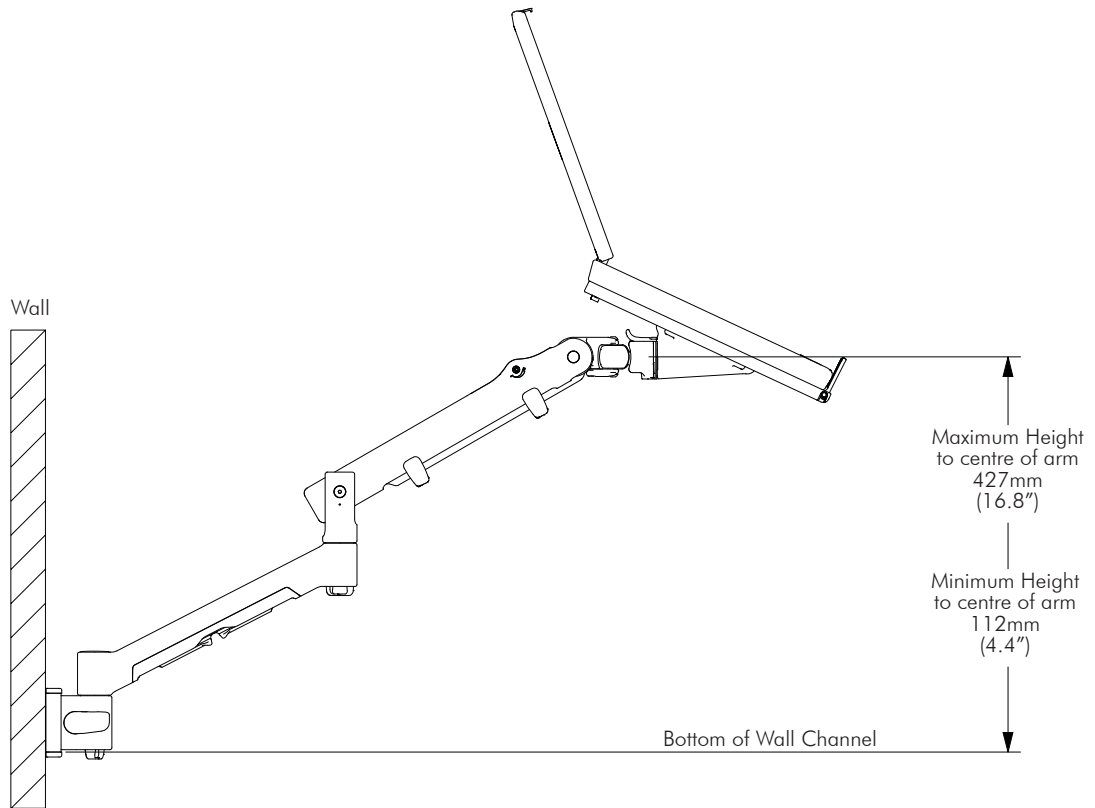
Tray Dimensions



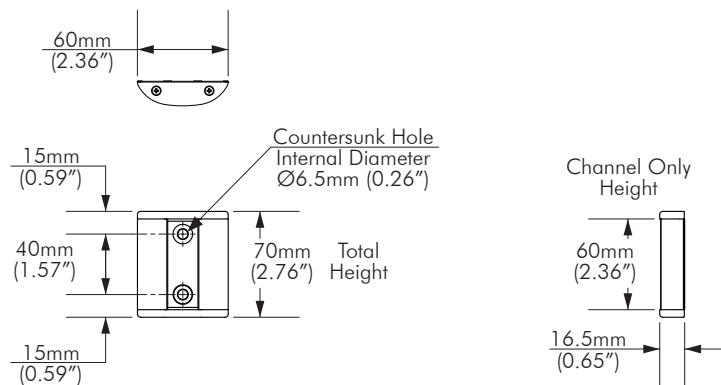
Fine Adjustment



Side View



Wall Channel Dimensions



VESA Mounting Bracket

