

SYSTEMA

Systema Range

General Features

Minimum and Maximum Load:

1.5KG (3.3lbs) - 8KG (17.6 lbs)

Included Hardware:

All fasteners and hardware included.

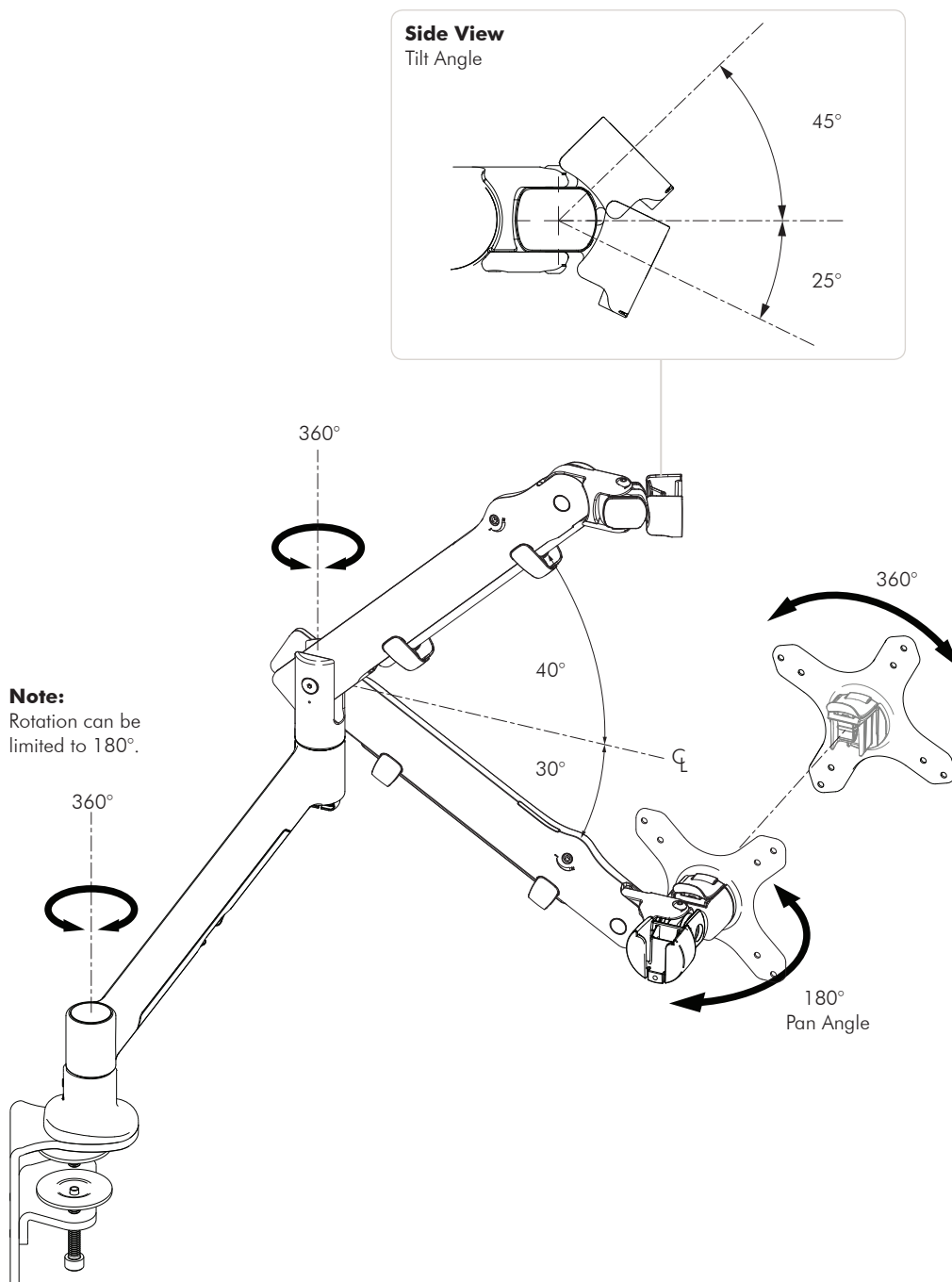
Colours:

Silver, White,
Polished Aluminum/Black

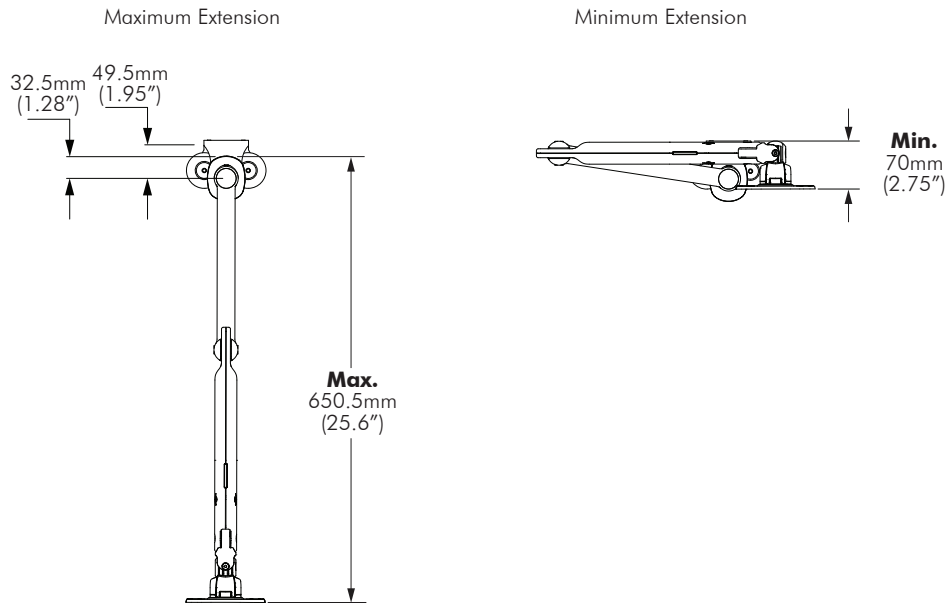
Warranty:

10 years limited

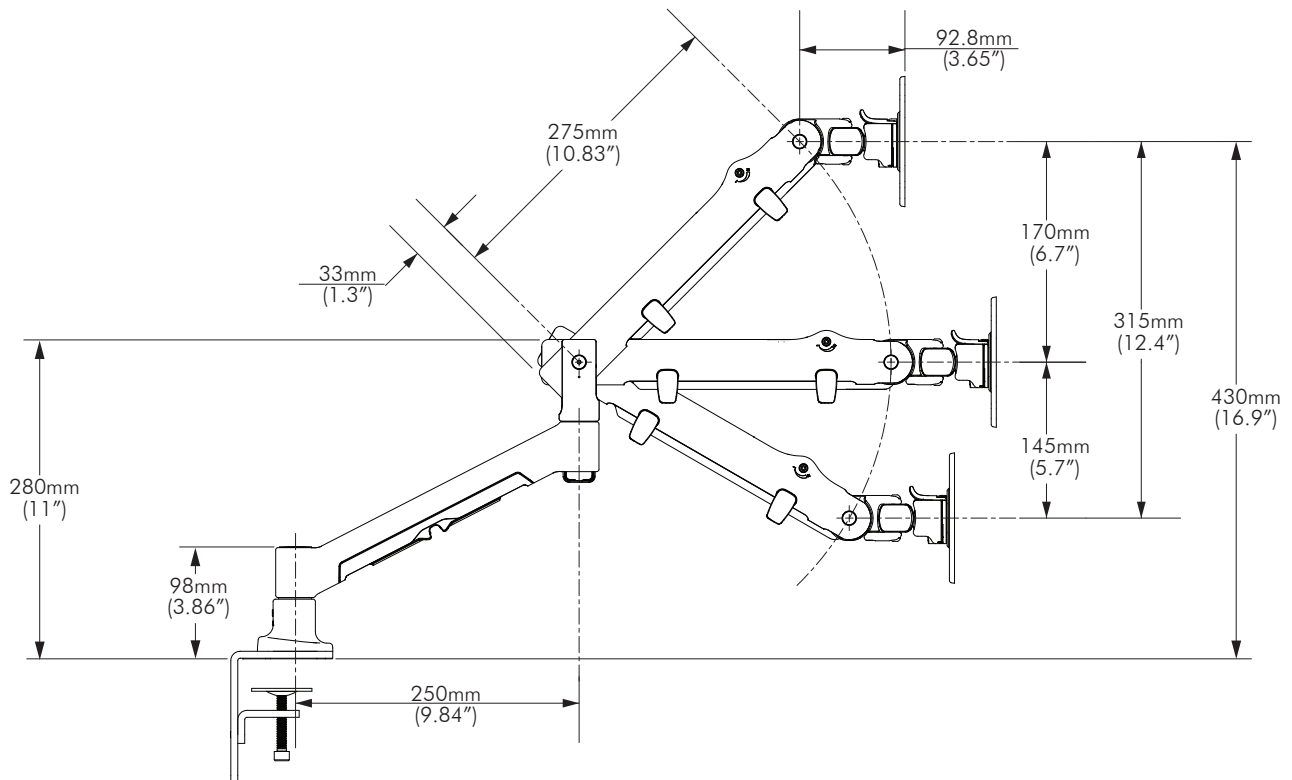
Range of Movement - Rotation & Angular



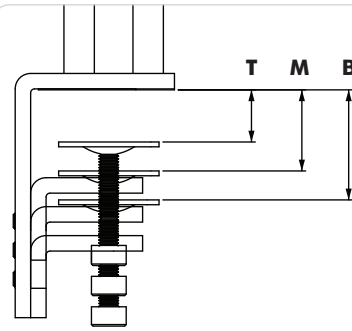
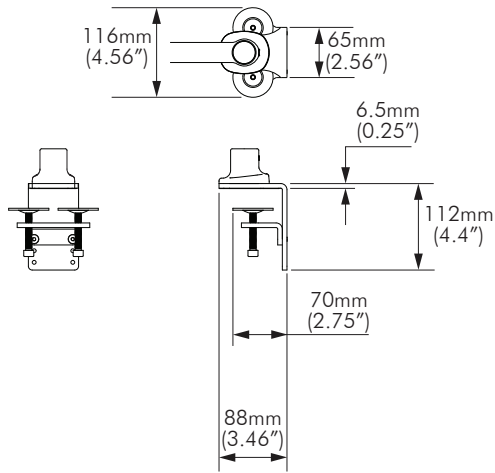
Monitor Spring Arm | Range of Movement - Arm Extension



Monitor Spring Arm | Range of movement - Arm Dimensions



Desk Clamp mounting option - Dimensions

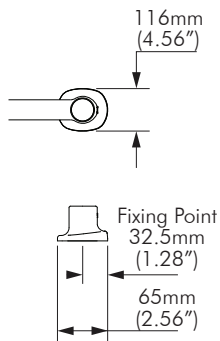


Top	0 - 38mm (default)
Middle	11 - 53mm
Bottom	25 - 68mm

The Desk Clamp bracket can be repositioned to suit different mounting surface thicknesses. The maximum mounting surface thicknesses supported are listed below from the Top to Middle to Bottom Screw Holes.

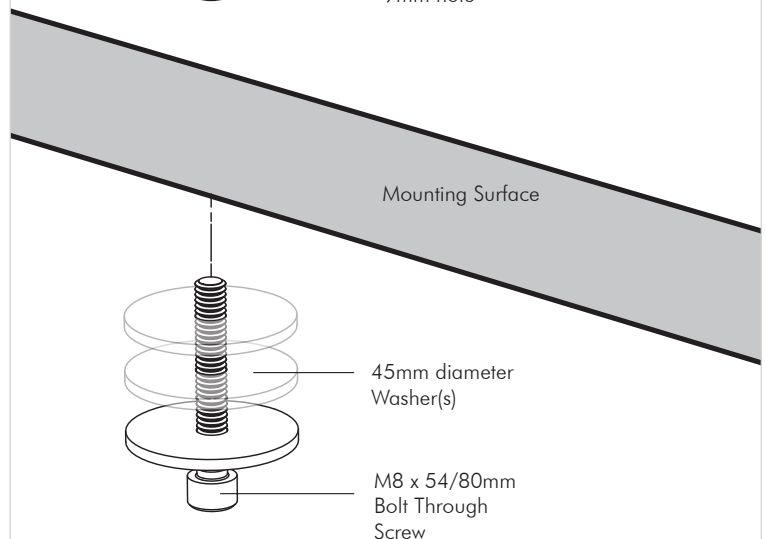
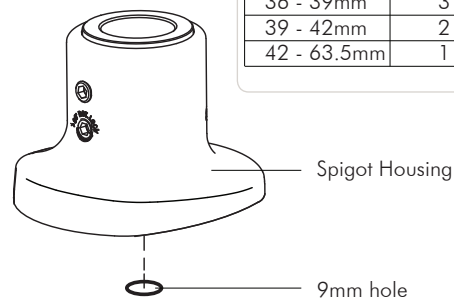
Important! Any mounting surface must be capable of supporting the combined weight of all Systema products and attached screens/devices. If in doubt, contact your mounting surface supplier.

Desk Clamp mounting option - Dimensions



By using either the 54mm or 80mm Bolt Through Screw with 1 - 3 washers, mounting thicknesses from 10mm to 63.5mm are supported.

Mounting Thickness	Washers Needed	Bolt Through Screw
10 - 13mm	3	54mm
13 - 16mm	2	
16 - 36mm	1	
36 - 39mm	3	80mm
39 - 42mm	2	
42 - 63.5mm	1	



VESA Mounting Bracket

