

Flat screen wall mount | tilt **TH-3070-UT**  
 Fits most displays from 32" to 65"



**Mounting hole pattern:**  
 from 180mm to 800mm wide  
 from 125mm to 500mm high



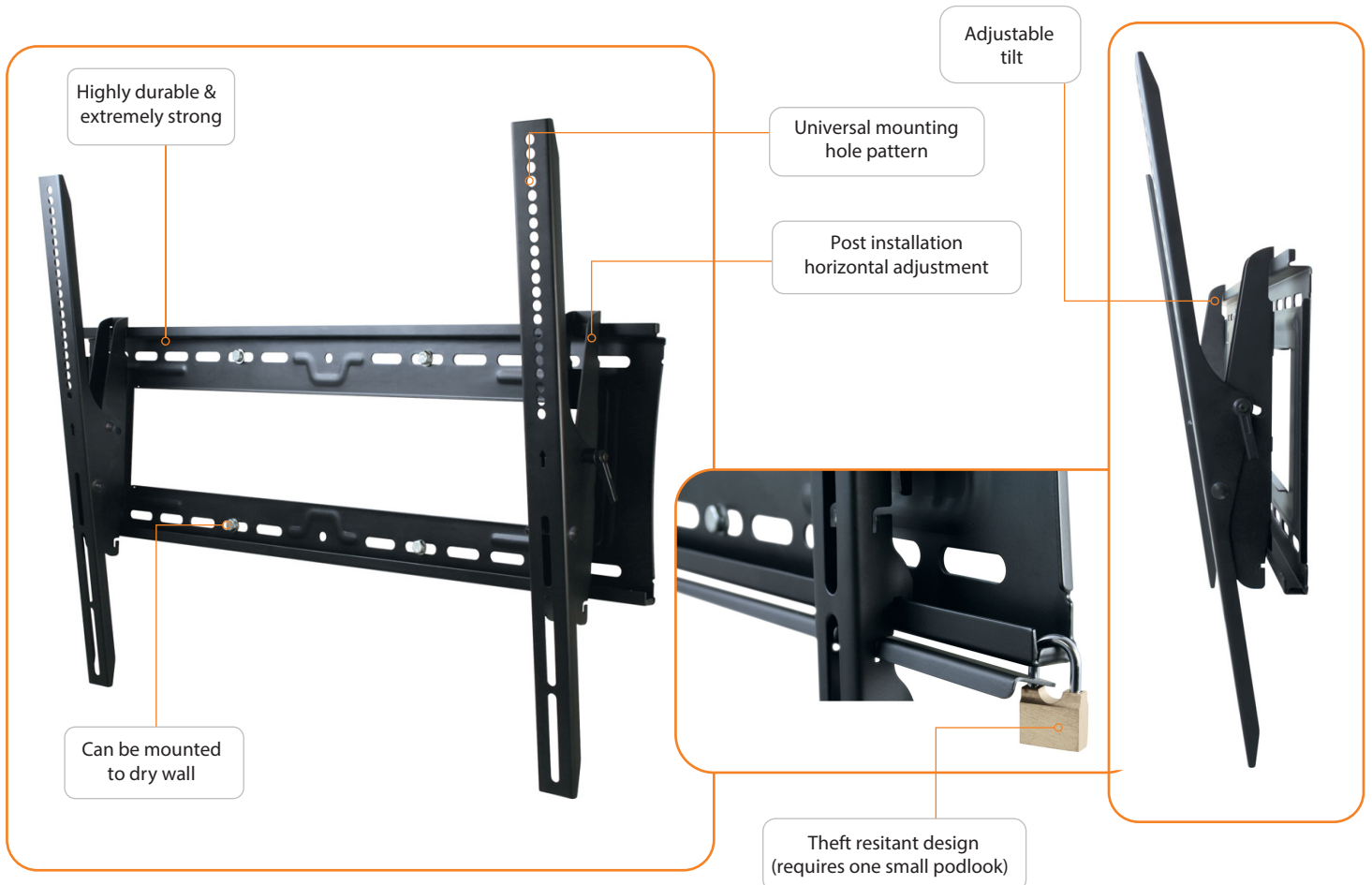
**Maximum weight carrying capacity:**  
 91kg (200lbs)



The TH-3070-UT is a highly durable and extremely strong. This mount supports screens that weigh up to 91kg (200lbs) and offers 15 degrees of tilt adjustment which can be set post installation. Very simple to install, the TV is held 72.5 (28.5") from the wall for a display that's streamlined as well as flexible. By adding a padlock your screen is safe and secure thanks to the theft resistant design.

**Product key features:**

- Can be mounted to either 2 studs or directly to dry wall without fixing to a stud
- Adjustable tilt of 5° up and 15° down
- Offers post installation horizontal adjustment
- Distance form wall: 72.5 mm (2.85 ")
- Theft resistant design (requires one small padlock)
- Comes with all mounting hardware for masonry, timber stud and dry wall installation



## Product information, single unit

Product Code	Load capacity	Material	Color
TH-3070-UT	91kg (200lbs)	Steel	Black

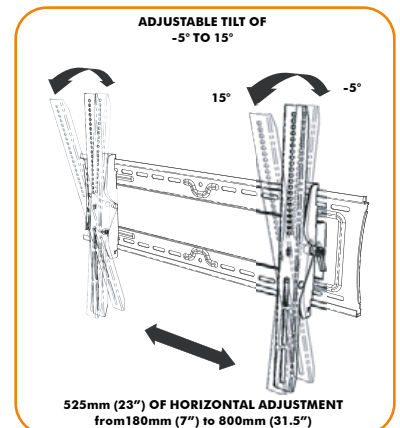
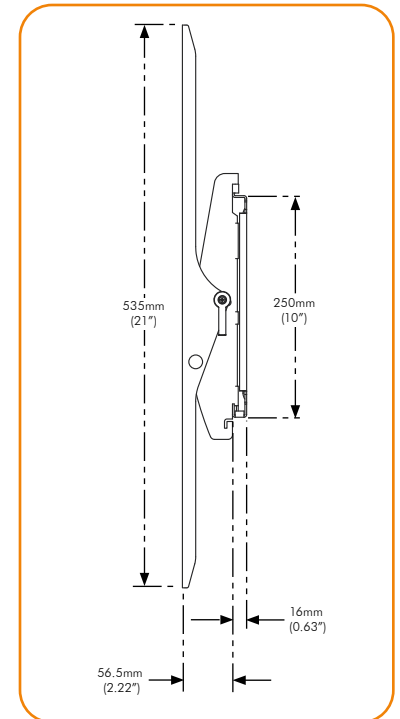
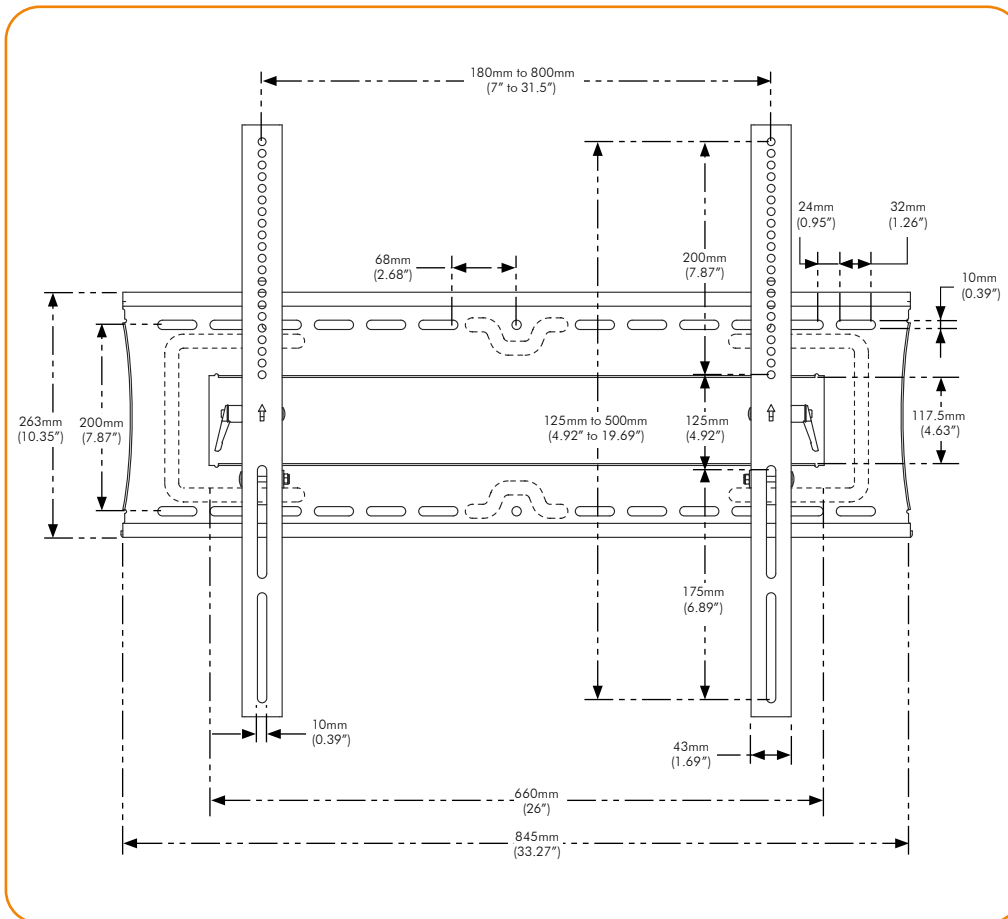
## Package information, single unit

Size	Ship weight	UPC code	Contents
88.5cm x 27.5cm x 7.5cm (34.75" x 11" x 3")	6.84kg (16.2lbs)	881493004788	All hardware required for installation supplied

## Package information, master pack

Size	Ship weight	UPC	Units per master pack
90cm x 30cm x 32cm (35" x 11.75" x 12.5")	28kg (65lbs)	881493004856	4

## Technical drawings



Atdec mounts are designed, developed and tested in Australia. While all efforts have been made to ensure the information in this brochure was correct as of the date of printing, we reserve the right to change specifications without notice. Please refer to the website for our full range along with the latest details on specifications, compatibility and dealer location. Atdec and Telehook are registered trademarks with all rights reserved. Copyright April 2013.