

STEP 1 | COLUMN..... Page 3

STEP 2 | MOUNTS

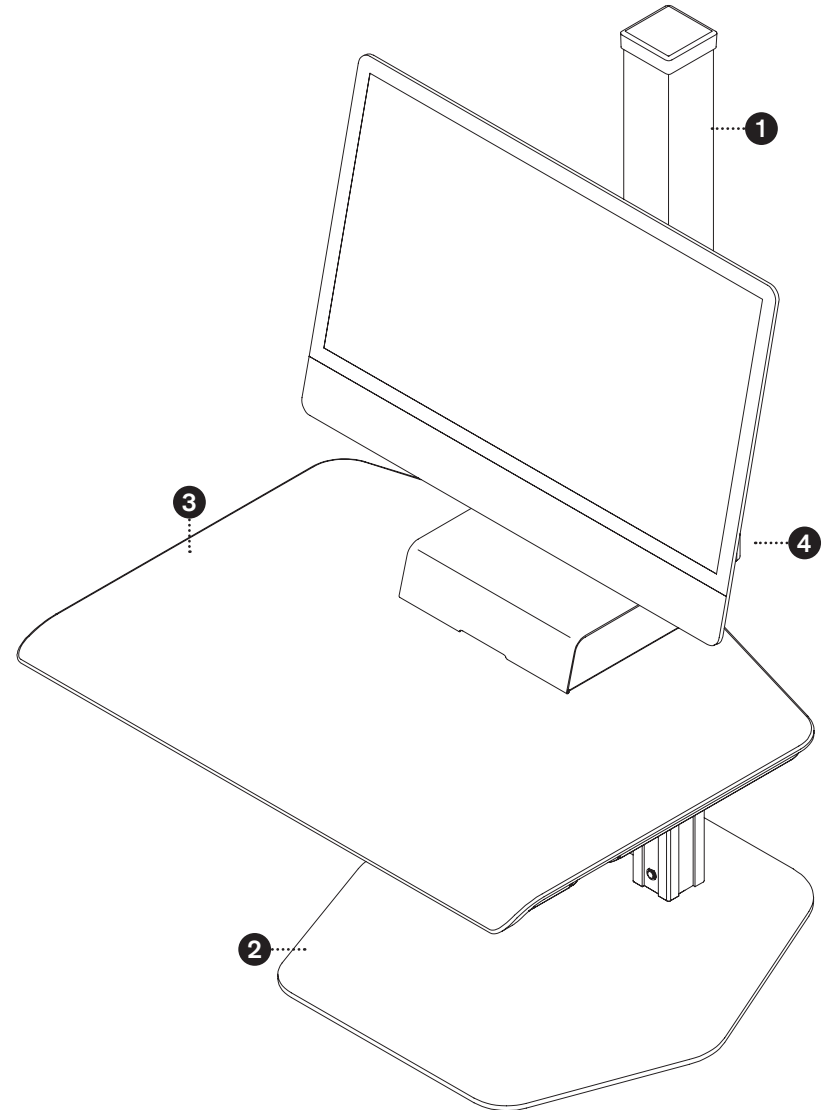
Free Standing Base..... Page 4

Clamp Mount..... Page 5

Thru Mount..... Page 6

STEP 3 | WORK SURFACE..... Page 7

STEP 4 | CABLE MANAGEMENT..... Page 10



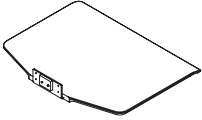
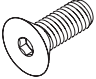


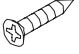
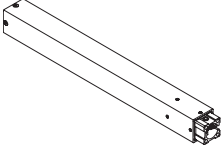
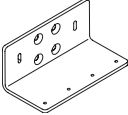
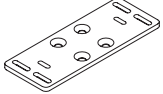
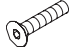
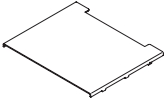


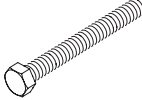
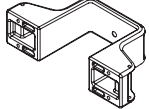
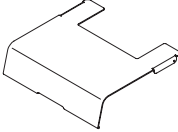

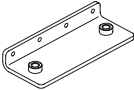

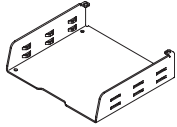


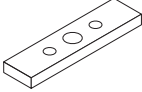

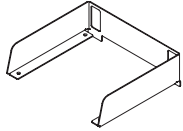

NOTE: Depending on your Winston Workstation™ configuration, you may not receive all the parts shown within this instruction booklet.

Installation may require two people.

WINSTON WORKSTATION™

for Apple iMac

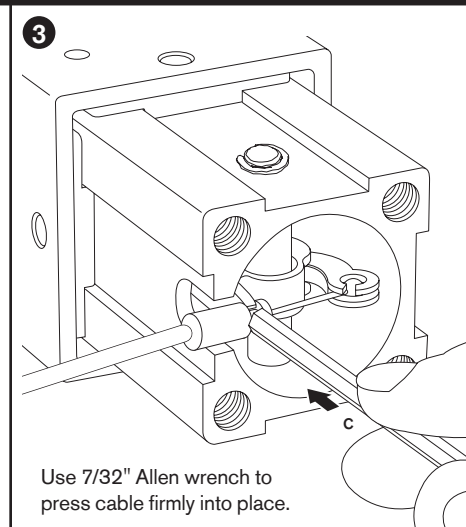
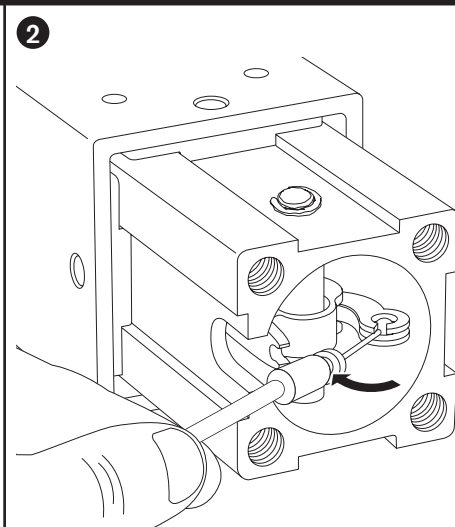
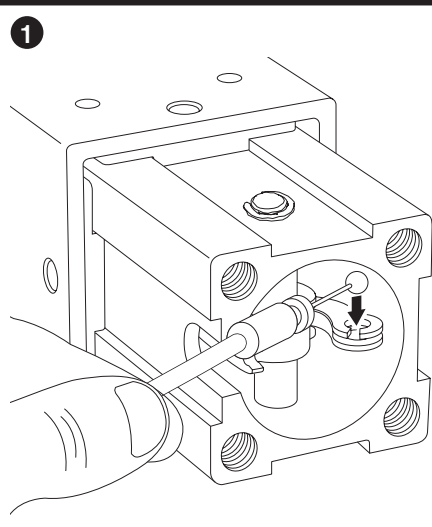
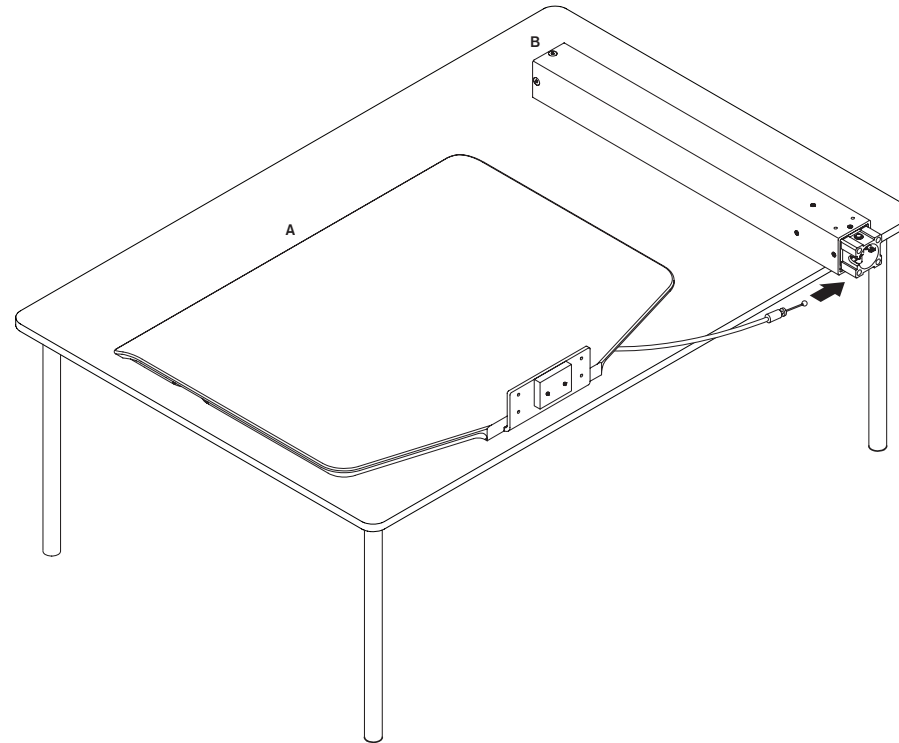
PARTS LIST*

<p>A Work Surface 411469</p> 	<p>F 3/8-16 x 1" FHSCS 701124</p> 	<p>K 1/2-13 x 3" Set Screw 701126</p> 	<p>P 1/8" Allen Wrench 701312</p> 	<p>U #6 x 3/4" FHPhS 711880</p> 
<p>B Column 411470-M</p> 	<p>G Large "L" 111311</p> 	<p>L Thru Mount Base Plate 110978</p> 	<p>Q 10-32 x 1" FHSCS 711467</p> 	<p>V Shelf 111629-124</p> 
<p>C 7/32" Allen Wrench 701127</p> 	<p>H 1/4-20 x 1/2" PhPHS 700435</p> 	<p>M 1/4-20 x 2-1/2" Hex Head Bolt 711570</p> 	<p>R Column Cap 111040</p> 	<p>W Cover 111605-248</p> 
<p>D Felt Pad 111464</p> 	<p>I Small "L" 111312</p> 	<p>N Thru Mount Washer 711572</p> 	<p>S Shelf Bracket 111604-124</p> 	<p>X Column Cap 111275-708</p> 
<p>E Free Standing Base 411621</p> 	<p>J Spacer 701544</p> 	<p>O Thru Mount Nut 711571</p> 	<p>T Enclosure 111603-124</p> 	<p>Y Column Cable Clip 111203-708</p> 

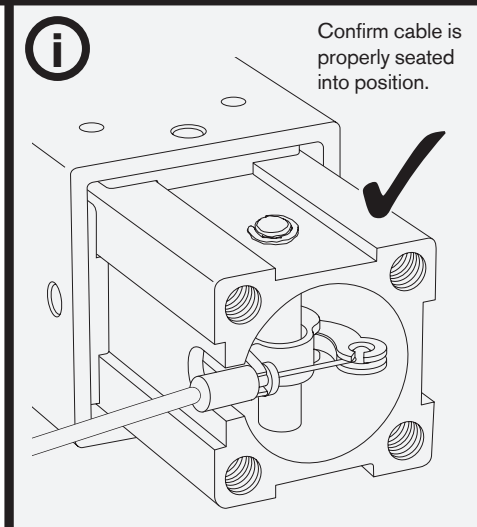
STEP 1

COLUMN

IMPORTANT: Do not pull excessively on cable – doing so may result in accidental actuation of column.



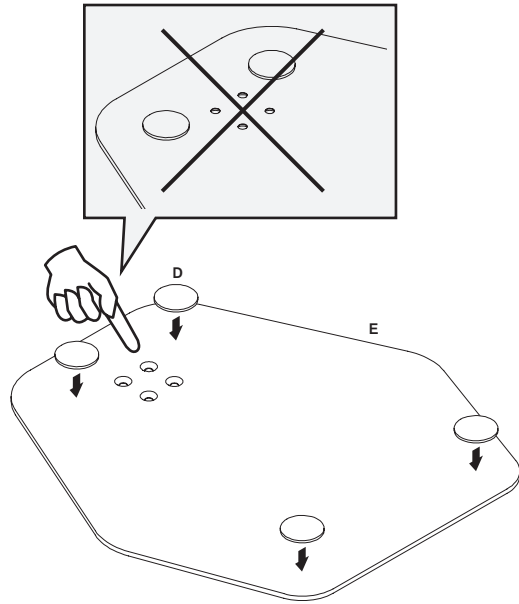
Use 7/32" Allen wrench to press cable firmly into place.



STEP 2

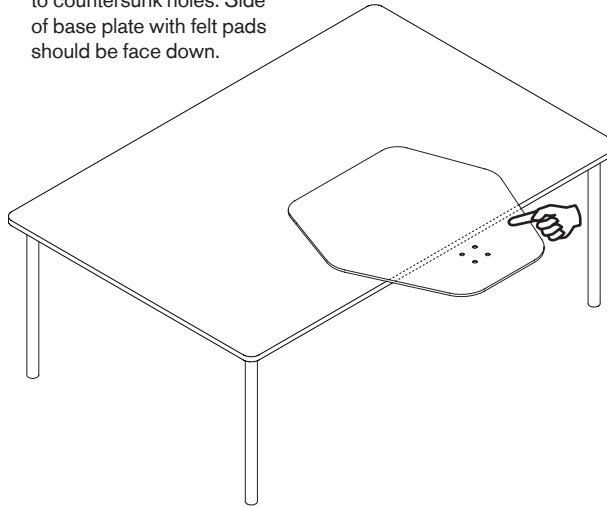
FREE STANDING BASE | MOUNTS

1



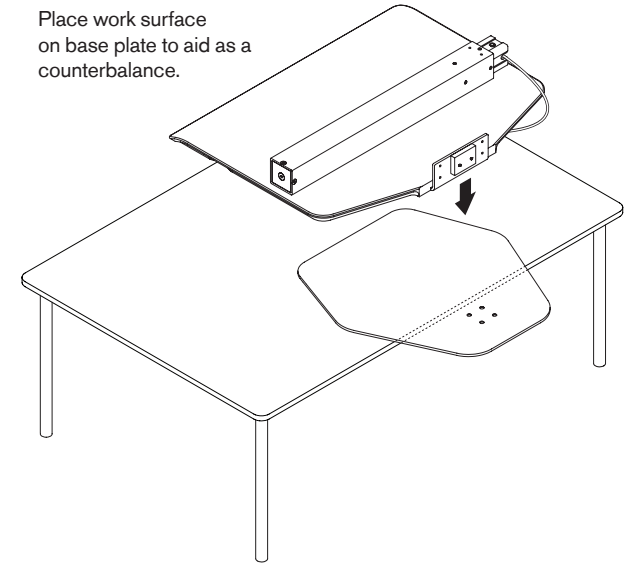
2

Hang base plate over edge of work surface to allow access to countersunk holes. Side of base plate with felt pads should be face down.

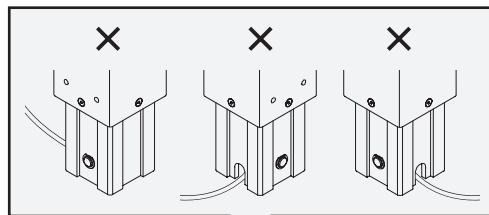


3

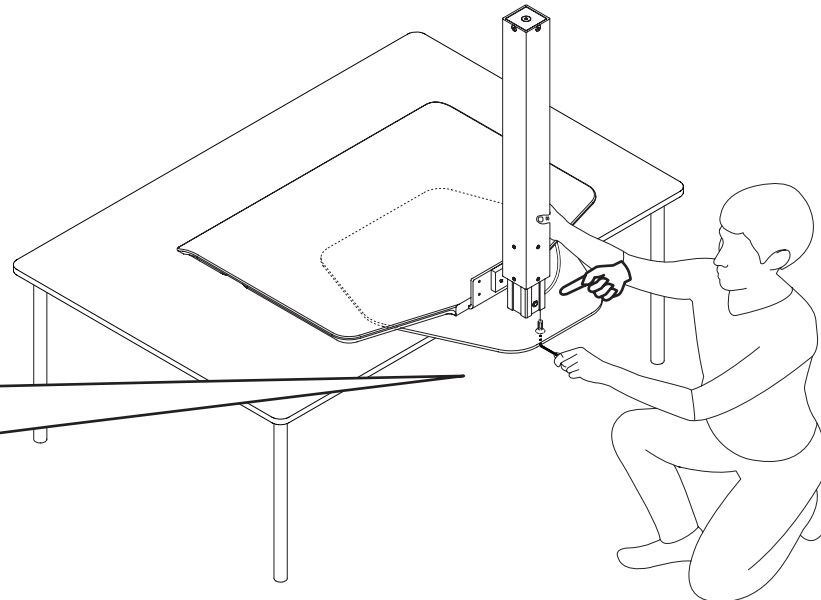
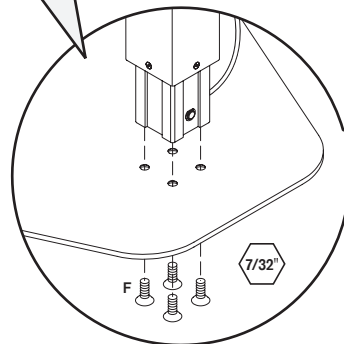
Place work surface on base plate to aid as a counterbalance.



4



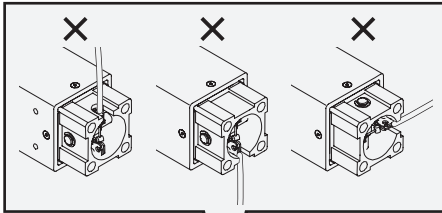
Note the **orientation** of column **cable exit** and base plate – cable should exit in direction as shown.



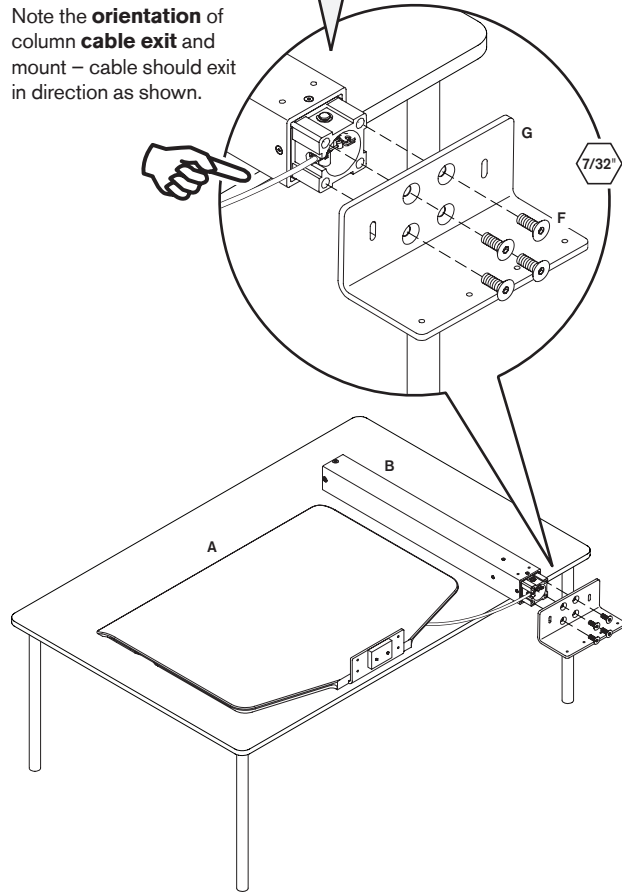
STEP 2

CLAMP MOUNT | MOUNTS

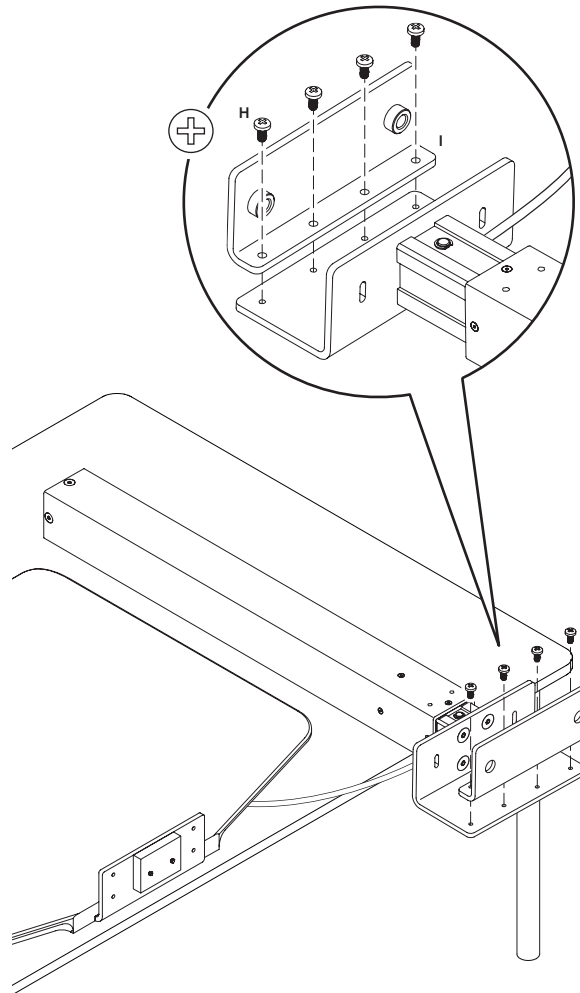
1



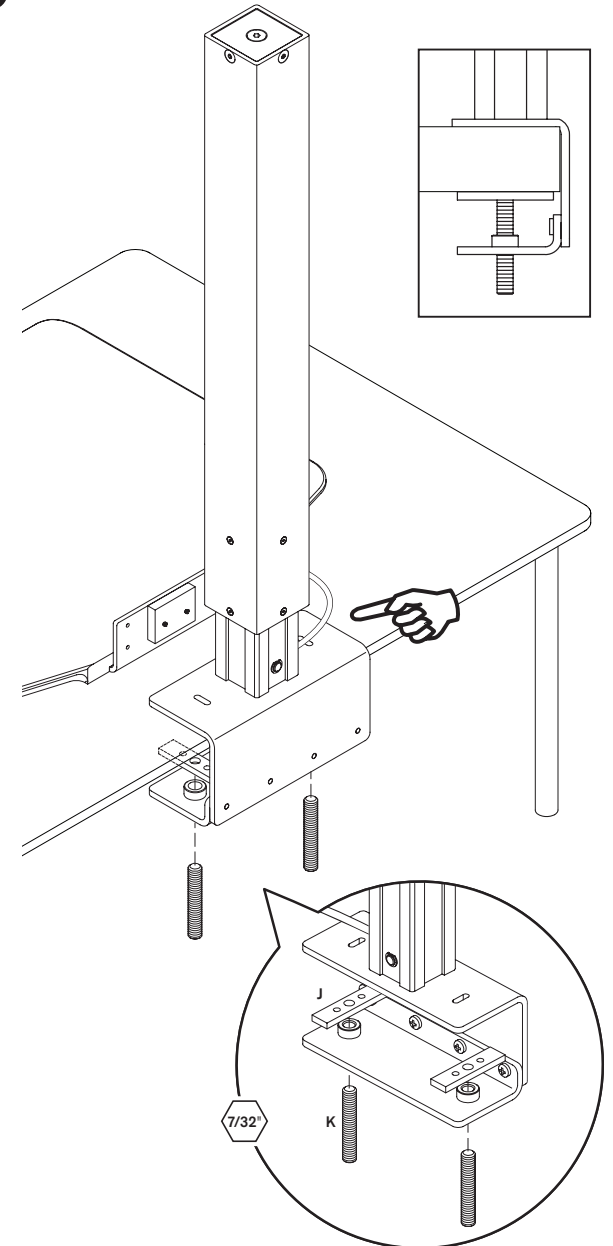
Note the **orientation** of column **cable exit** and mount – cable should exit in direction as shown.



2



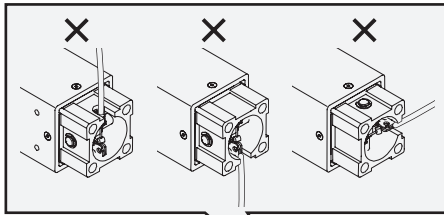
3



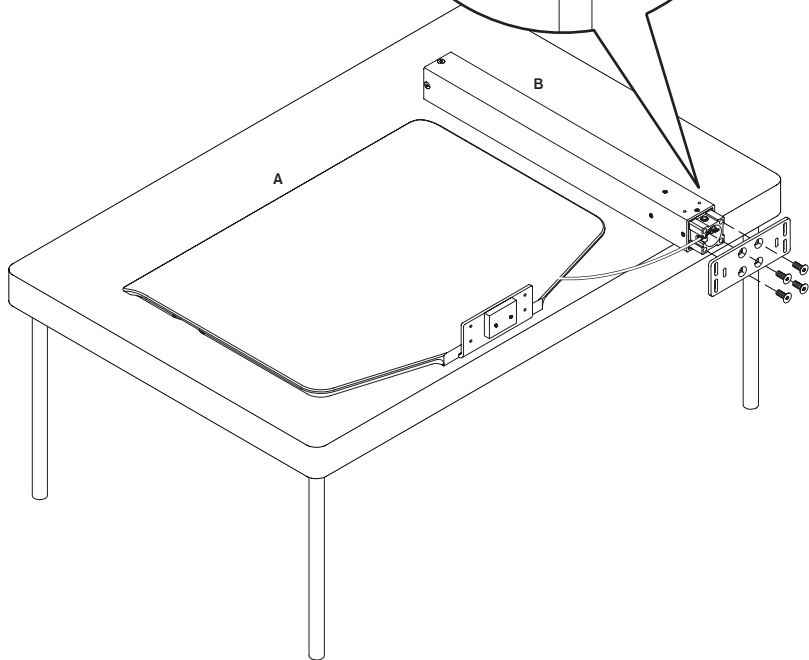
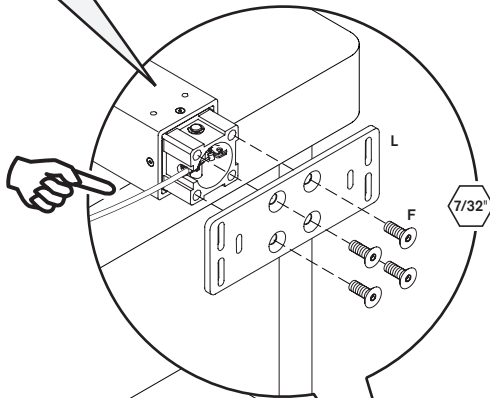
STEP 2

THRU MOUNT | MOUNTS

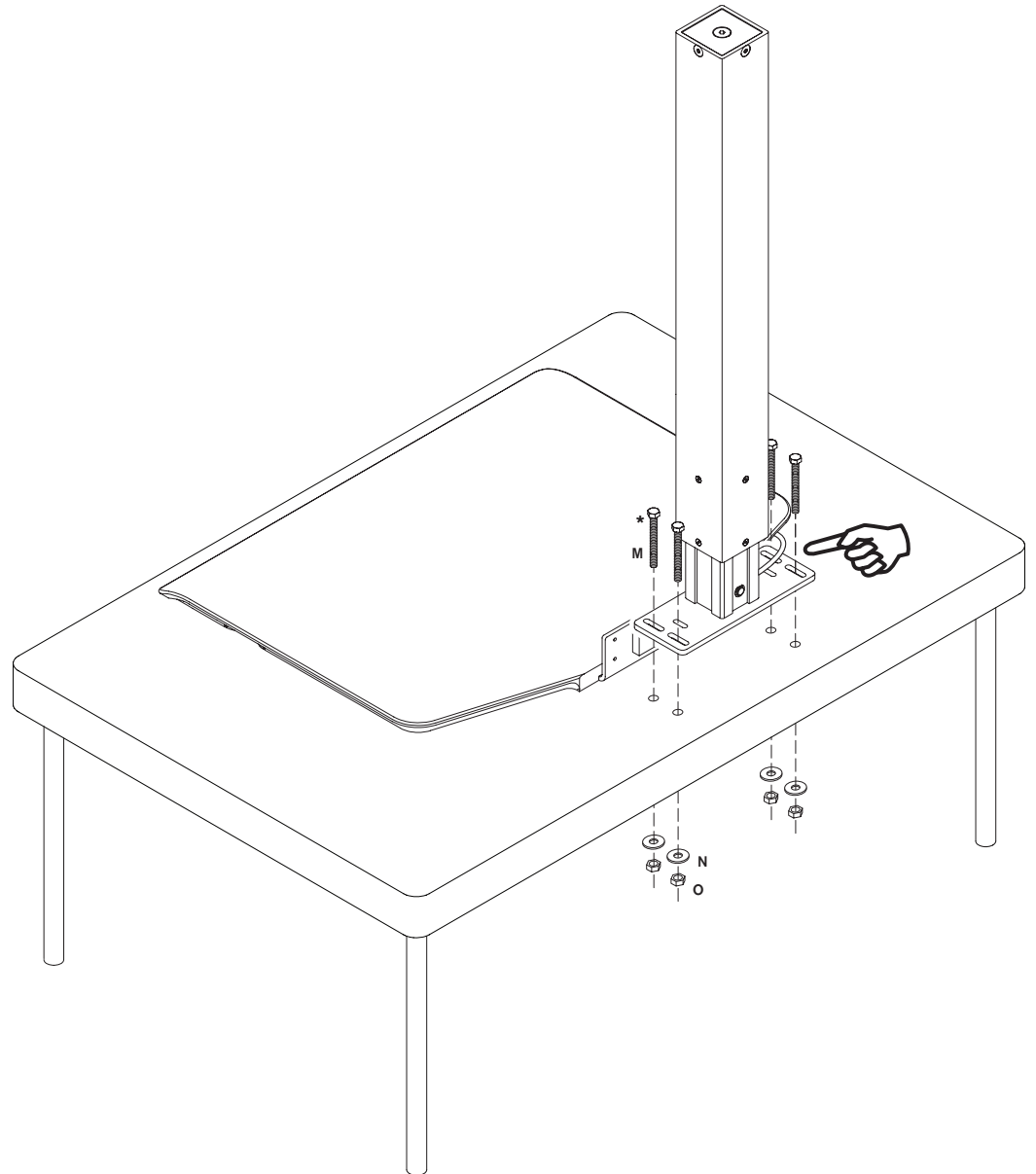
1



Note the **orientation** of column **cable exit** and mount – cable should exit in direction as shown.



2

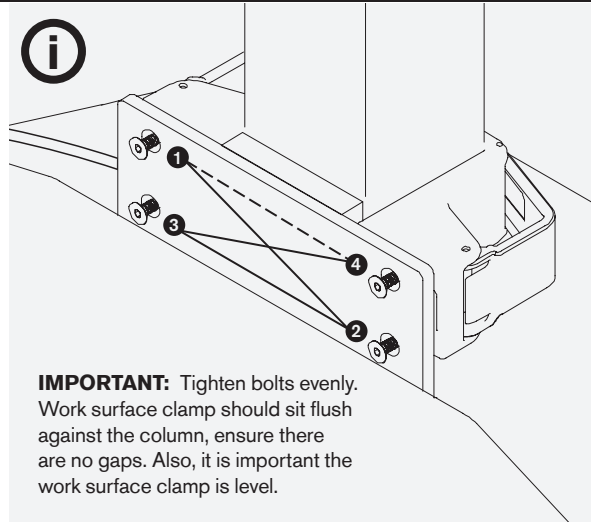
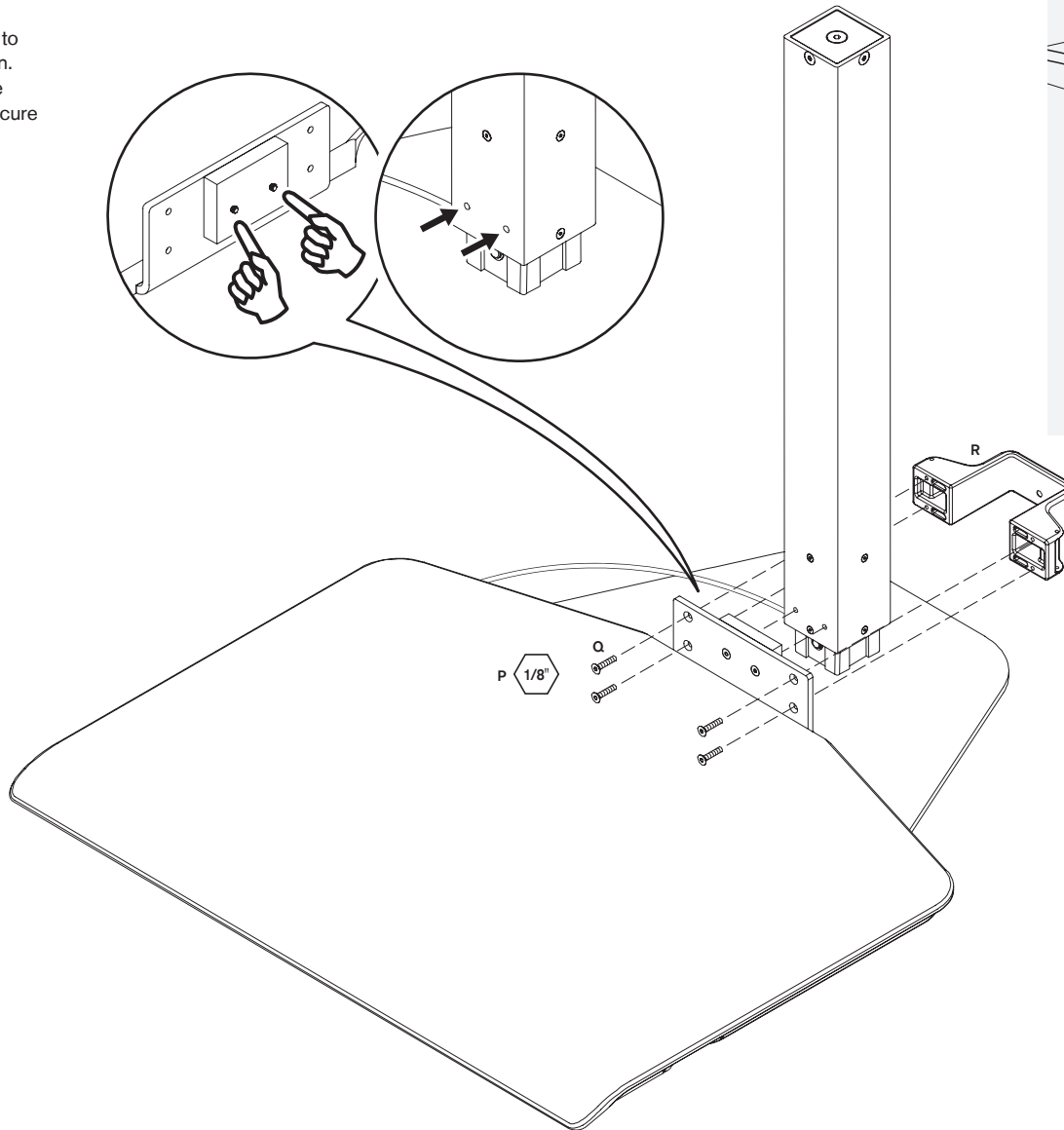


STEP 3

WORK SURFACE

1

Two people may be required to install work surface to column. One to hold the work surface and the second person to secure the column clamp.



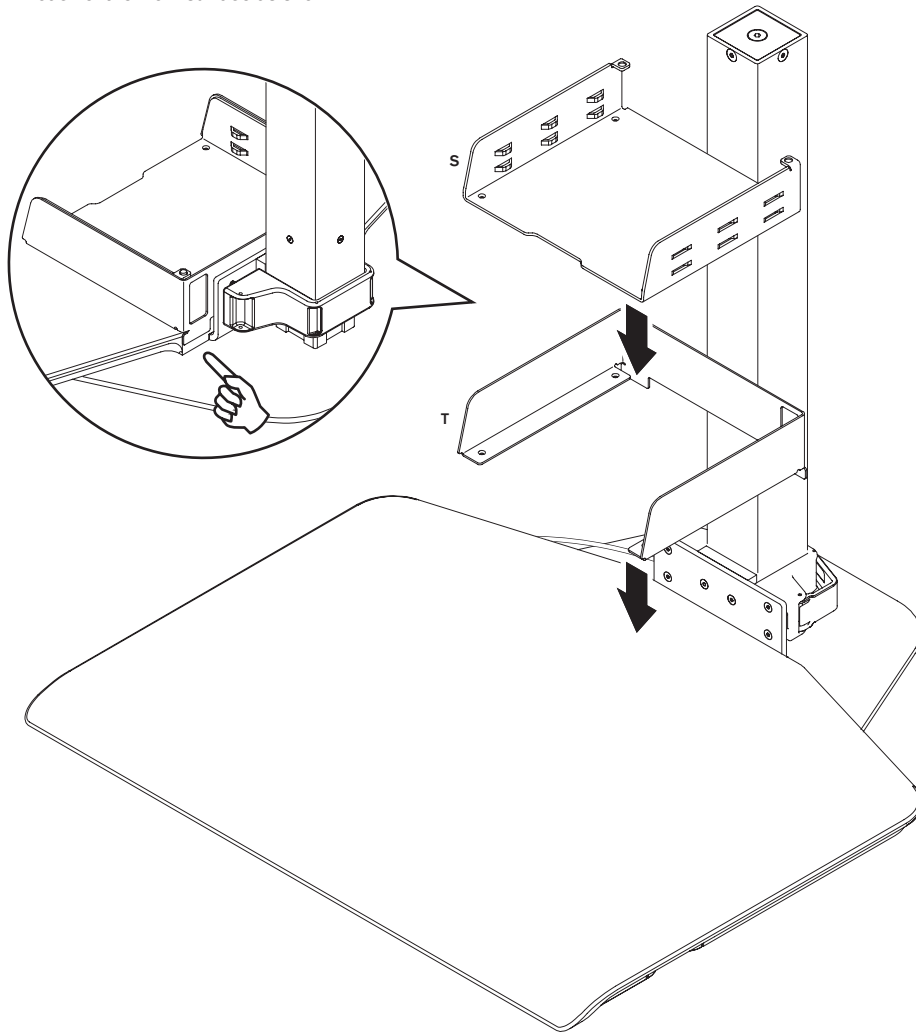
IMPORTANT: Tighten bolts evenly. Work surface clamp should sit flush against the column, ensure there are no gaps. Also, it is important the work surface clamp is level.

STEP 3

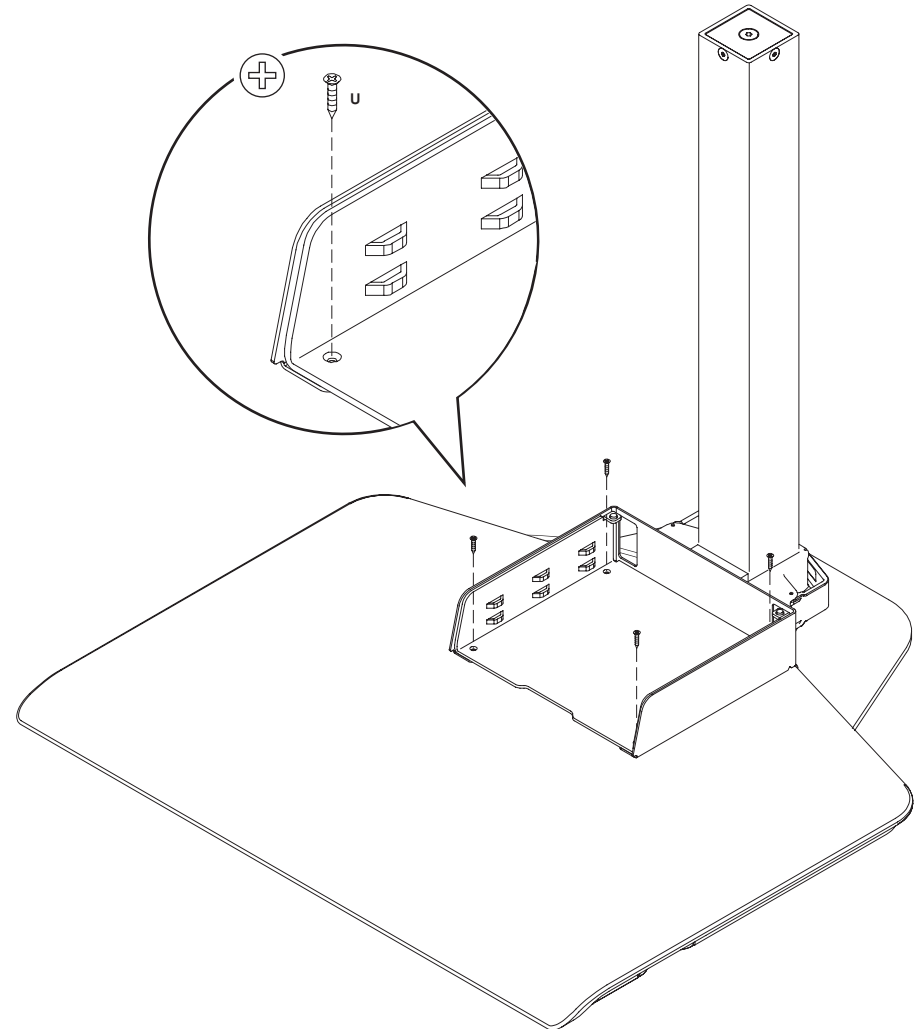
WORK SURFACE

2

Place the platform base on the work surface. Align the platform tabs at the back of the work surface as shown.



3



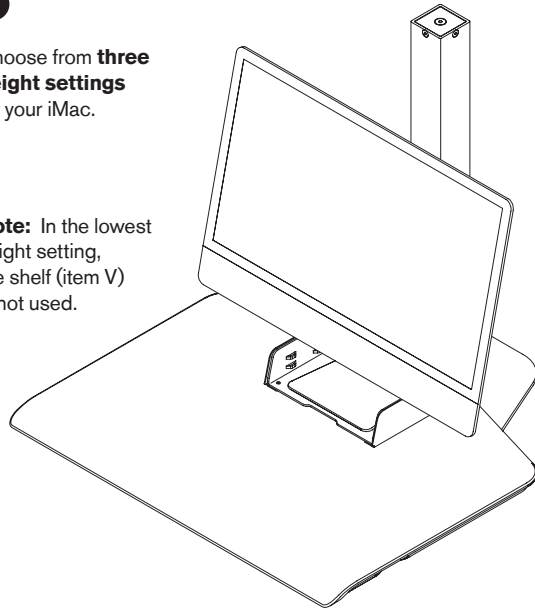
STEP 3

WORK SURFACE

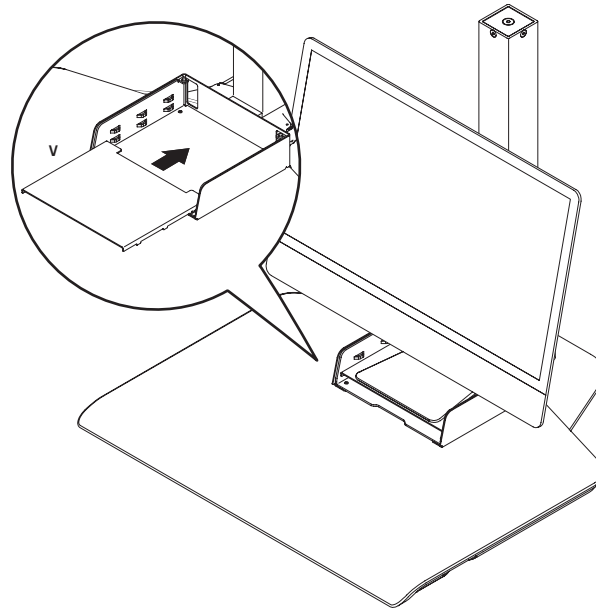
4

Choose from **three height settings** for your iMac.

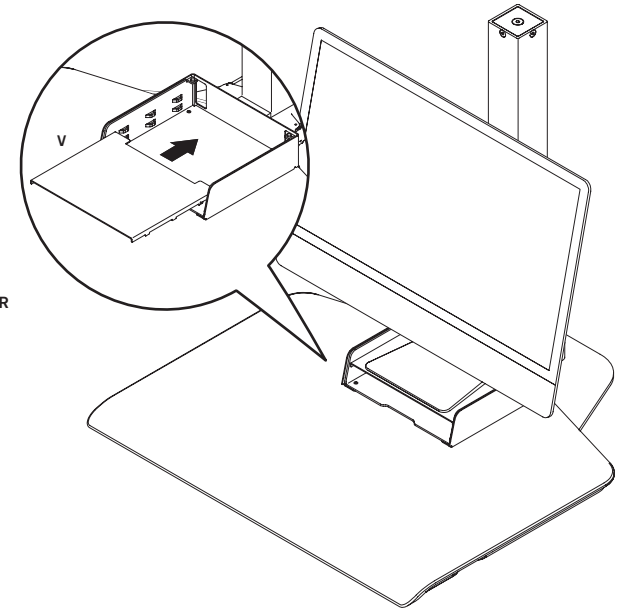
Note: In the lowest height setting, the shelf (item V) is not used.



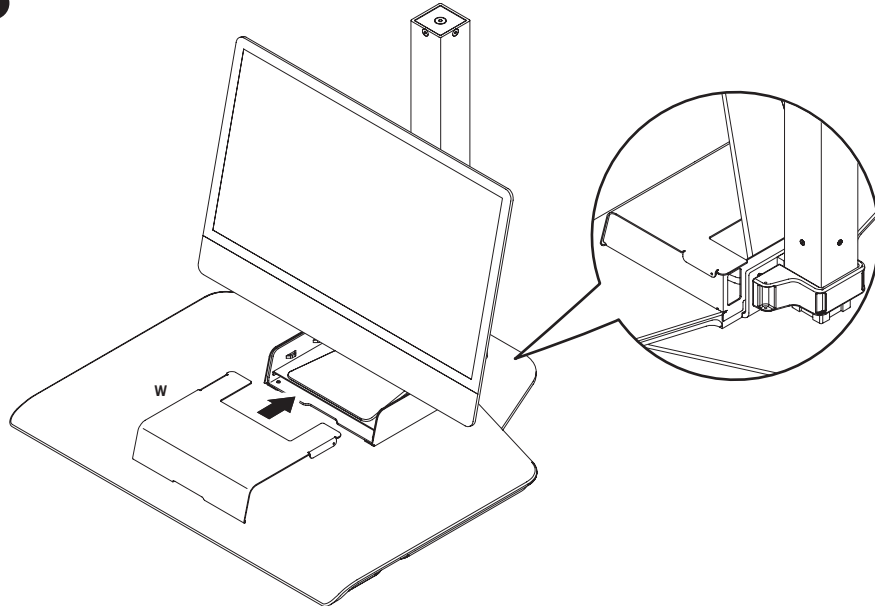
OR



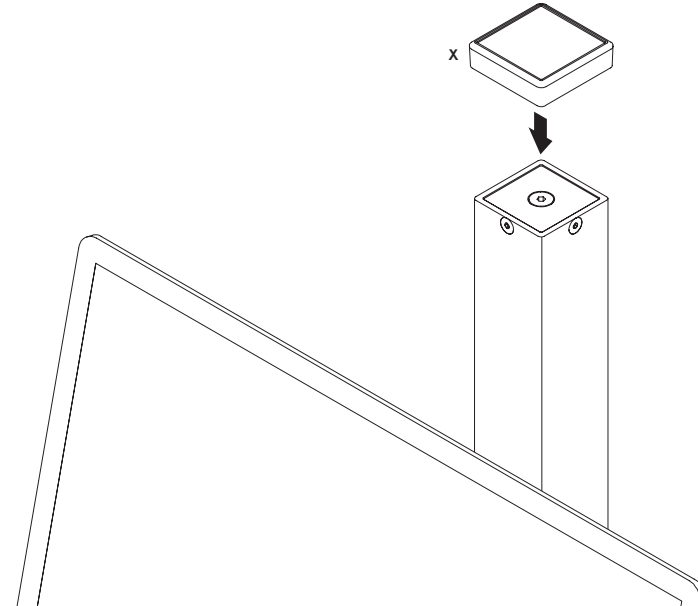
OR



5

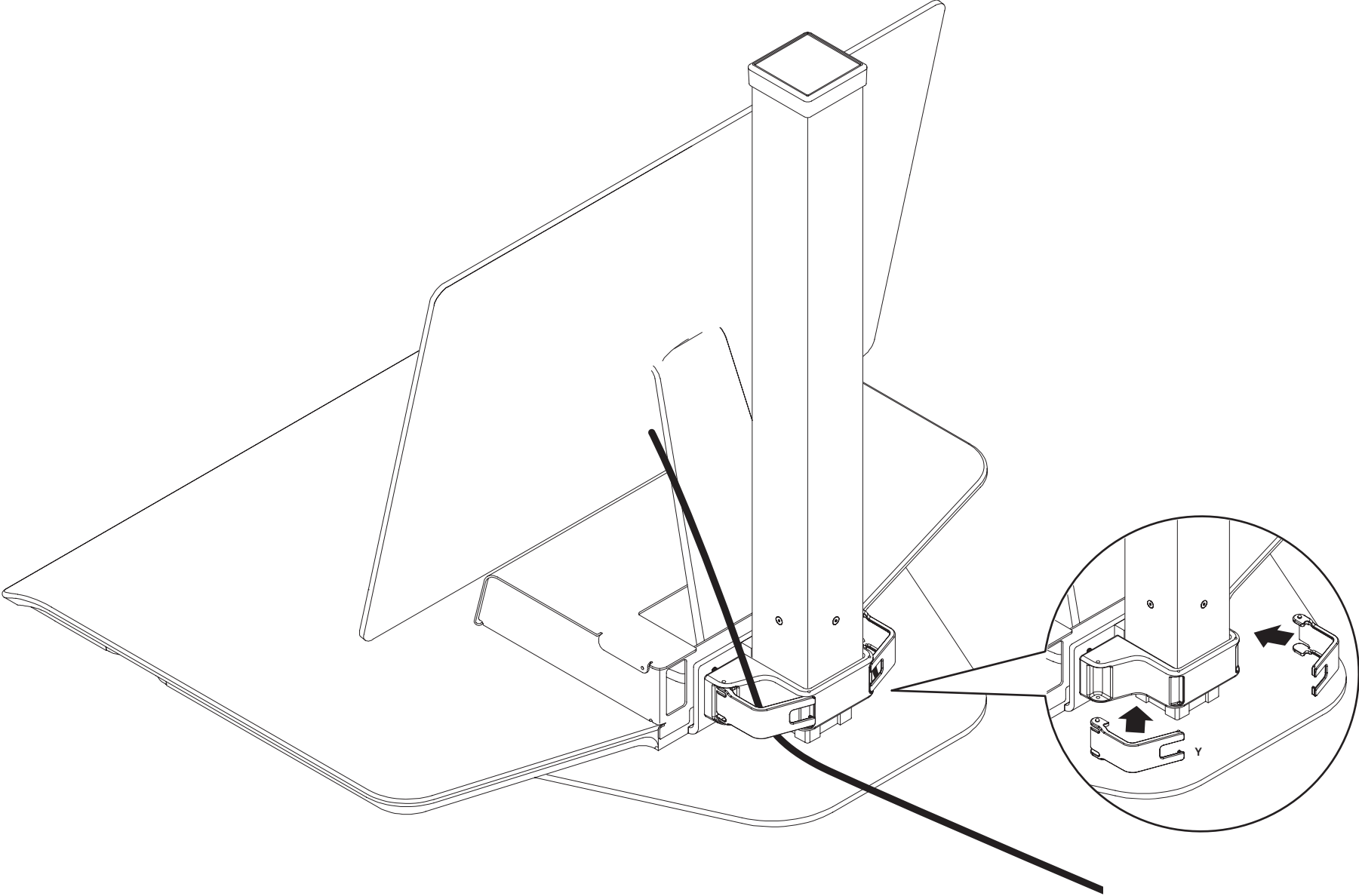


6

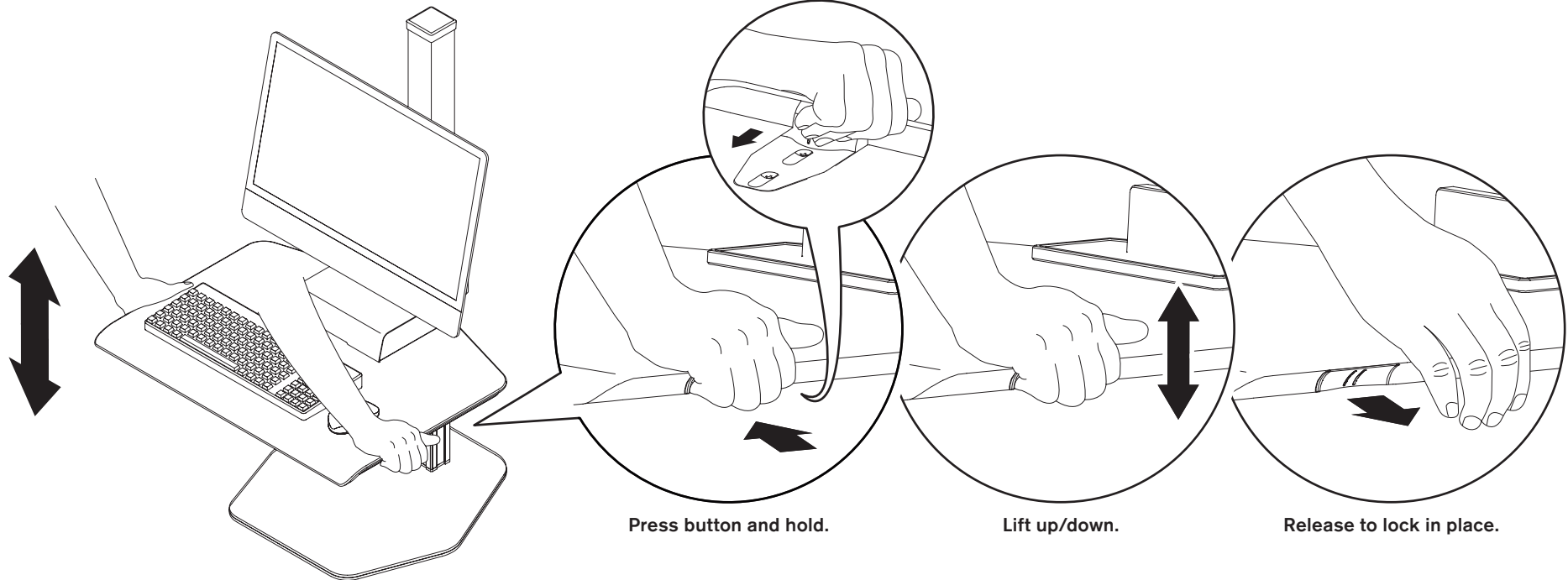


STEP 4

CABLE MANAGEMENT



HEIGHT ADJUSTMENT



i Is your height adjust button not working? If so, make the adjustments below.

- 1** Slide workstation so that the work surface hangs over desk edge to allow access to underneath the work surface.
- 2** Loosen the two screws as shown.
- 3** Slide bracket in the direction shown and tighten screws.
- 4** Test height adjust button – readjust by repeating the steps above as necessary.

