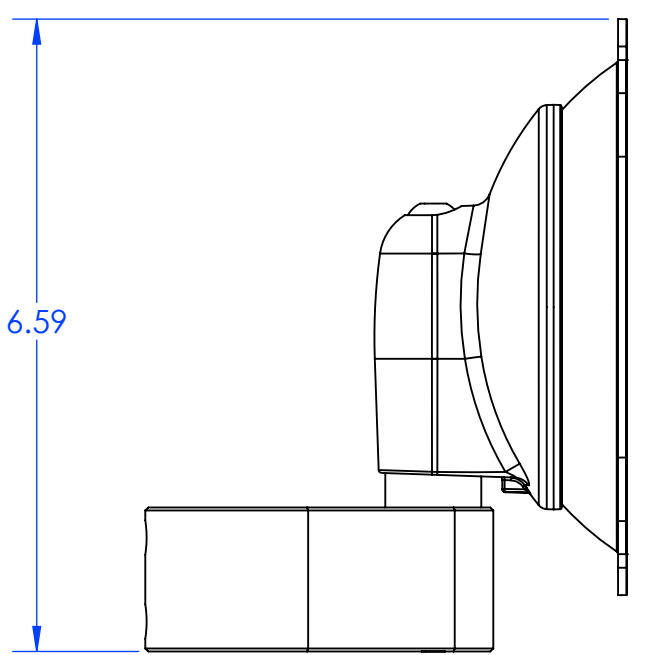
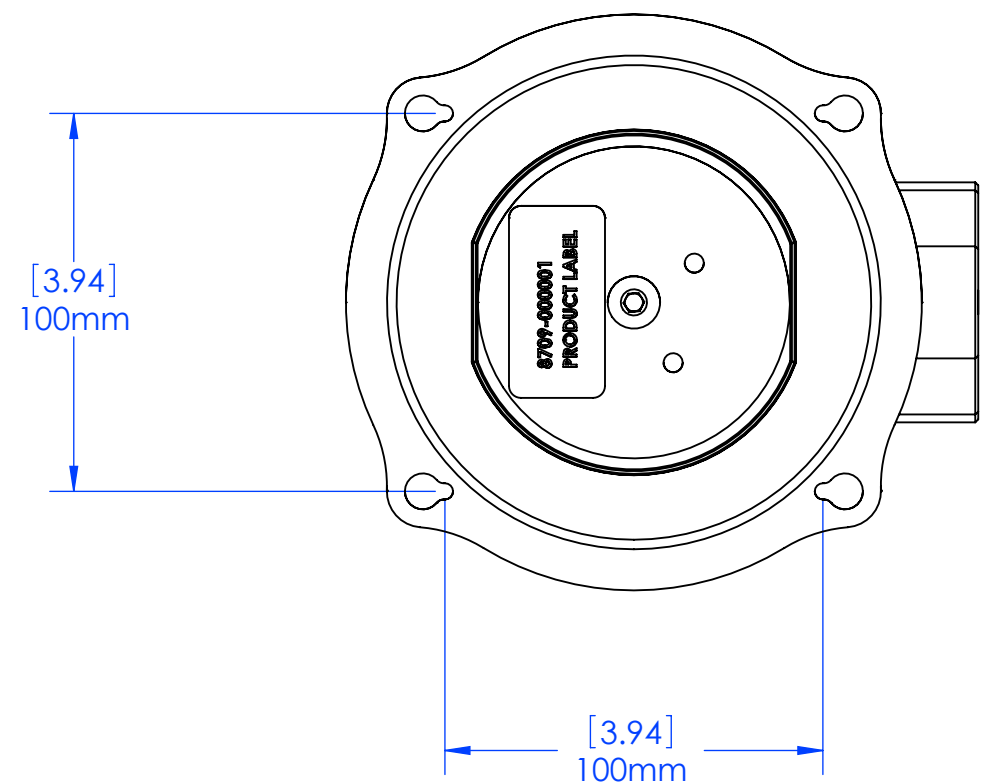
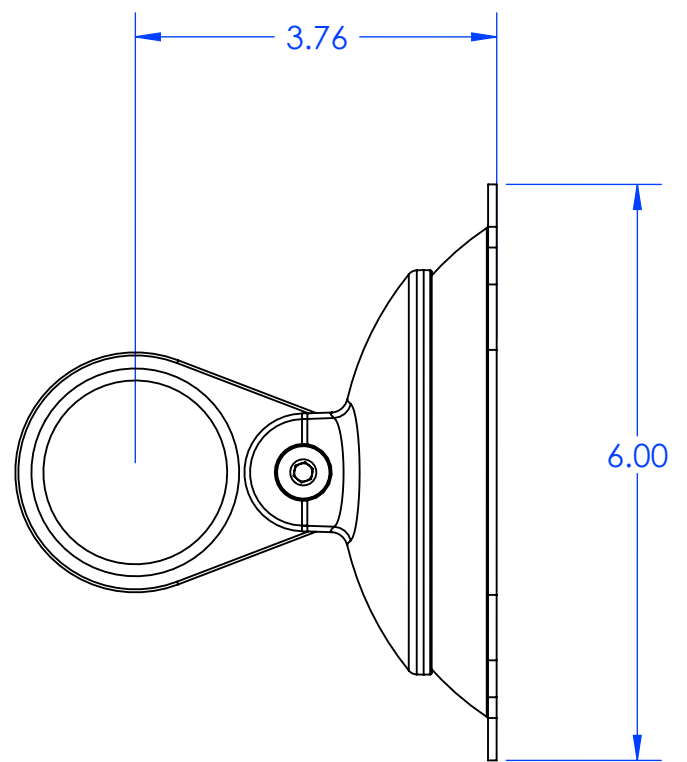


REV	DESCRIPTION	DATE	ECO #	AUTH
A	RELEASED FOR PROTOTYPE	XX/XX/XXXX		PJO

JPP210 TECH DRAWING



**THE INFORMATION AND DESIGNS CONTAINED IN THIS DRAWING ARE CONFIDENTIAL AND THE PROPRIETARY PROPERTY OF CHIEF MFG., INC. NEITHER THIS DESIGN NOR ANY INFORMATION CONTAINED IN THIS DRAWING MAY BE REPRODUCED OR DISCLOSED TO OTHERS WITHOUT THE EXPRESS WRITTEN CONSENT OF CHIEF MFG., INC.**

CAD GENERATED DRAWING. DO NOT MANUALLY UPDATE	
DATE	7/31/2007
DESIGNER	PJO
DETAILER	PJO
RESP ENG	PJO
SHEET 1 OF 1	

**CHIEF** 8401 EAGLE CREEK PKY  
SAVAGE, MN 55378  
PHONE: 952-894-6280  
FAX: 877-894-6918

TITLE  
**JPP210 TECH DRAWING**

SIZE DWG. NO. REV.  
**B JPP210 TECH DRAWING**